

Project		Catalog #		Type	
Prepared by		Notes		Date	



WaveLinx Wired

IL Area Controllers

WaveLinx Wired's most versatile and complete wired connected lighting system

Typical Applications

Office • Education • Healthcare • Hospitality • Retail • Industrial • Manufacturing • Outdoor

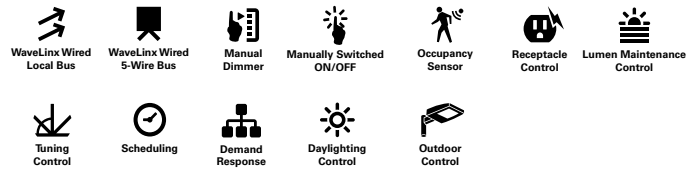
Interactive Menu

- Order Information page 2
- Additional Resources page 3
- Connected Systems page 5
- Product Warranty

Product Certification



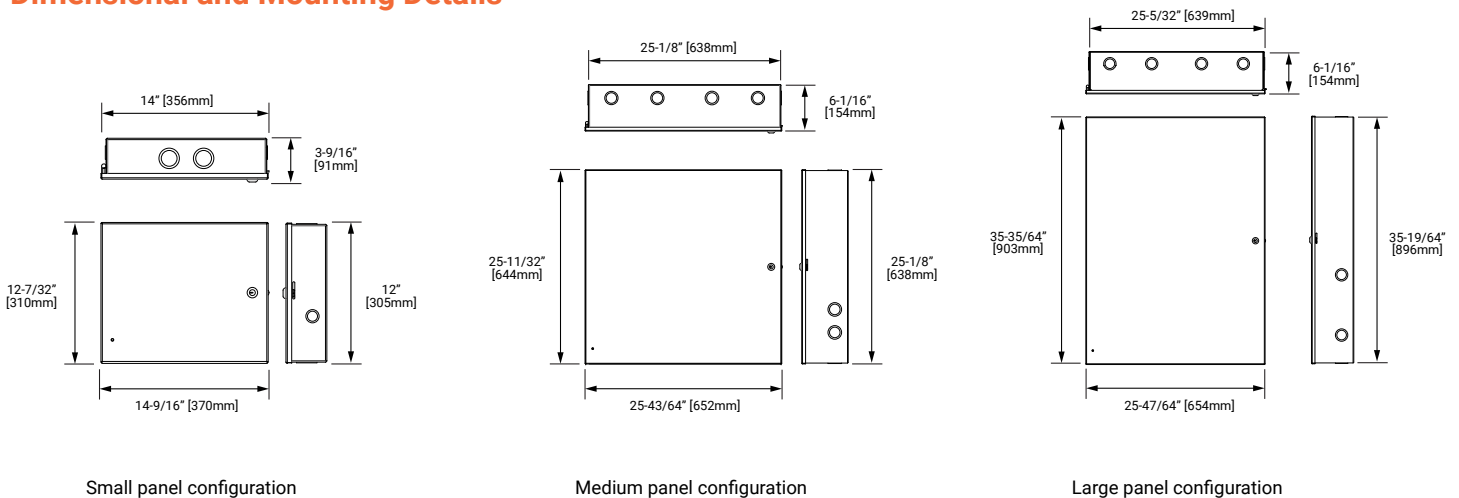
Product Features



Top Product Features

- Occupancy and Vacancy Sensors
- Scheduling
- Daylighting
- DMX control
- A/V integration

Dimensional and Mounting Details



Order Information

Catalog Number

Panel Size	Catalog No.	# Relay Circuits	# 0-10V Outputs	# of Local Buses	Ethernet Gateway (EG-2)
Small	ILS-0010	0	0	4	N/A
	ILS-1100	12	12	0	N/A
	ILS-0020	0	0	8	N/A
	ILS-2000	24	0	0	N/A
Medium	ILM-2200	24	24	0	0
	ILM-2201				1
	ILM-2110	24	12	4	0
	ILM-2111				1
	ILM-0040	0	0	16	0
	ILM-0041				1
	ILM-3000	36	0	0	0
	ILM-3001				1
	ILM-4000	48	0	0	0
	ILM-4001				1
Large	ILL-3300	36	36	0	0
	ILL-3301				1
	ILL-4400	48	48	0	0
	ILL-4401				1

NOTE: Custom configurations are available by entering a PDR. (Small area controller supports 2 modules, medium supports 4 modules, and large supports 8 modules)

Product Specifications

Key Features

- UL listed to all relevant standards (UL-916, UL 508A, cULus)
- Supports various ballast/driver types controllable by 0-10V
- Supports four WaveLinx Wired local buses per SCMD4 module
- Supports up to 48 switched outputs (based on selected configuration)
- Heavy duty 20A (@ 40C) relays used on all relay modules
- Capable of providing versatile solutions that include relays outputs, 0-10V outputs, DMX inputs and WaveLinx Wired local bus connections for controls inputs and luminaire level local control
- Capable of mixed load voltages (120/277 VAC 50/60Hz) based on proper spacing and wire insulation.
- Panel systems solutions include both normal and emergency power sources based on proper spacing and wire insulation
- Ethernet connectivity available (based on selected catalog number)
- DMX output available using SCD96 or SCDServer Pro network accessory
- Capable of meeting all latest energy codes (IECC, Title 24, ASHRAE)

Mechanical

Enclosure: NEMA 1, Surface Mount, lockable, Size: See Dimensions

Enclosure Size:

- Small: 14.56" W X 12.22" H X 3.56" D (369.8mm x 310.4mm x 90.4mm)
- Medium: 25.67" W X 25.34" H X 6.06" D (652mm x 643.6mm x 153.9mm)
- Large: 25.73" W X 35.54" H X 6.07" D (653.5mm x 902.7mm x 154.2mm)

Weight:

- Small: 10lbs (4.5 kg)
- Medium: 33lbs (15 kg)
- Large: 59lbs (26.7 kg)

Environment:

- **Operating temperature:** 35°F to 122°F (+2° C to +50° C)
- **Max Storage temperature:** 140°F (+60° C)
- **Relative humidity operating:** +5 to 95% non-condensing
- For indoor use only

Electrical

Supply: 120-277VAC ± 10% 50/60Hz, 5A Max

Maximum Load:

- **Switching Load:** 20A max. per relay, 192A max. total (SCMR1220 Module)
- **0-10V Load:** 50mA per channel (SCMH1200 Module)
- **Local buses:** 250mA per loop/bus (SCMD4 Module)

Protection Internal: 5A Circuit Breaker for incoming power

WaveLinx Wired Network: Use Belden 1502 or 1502P, WaveLinx Wired accessory LCCP or LCCNP or equal

Local Bus Wiring: 18-14AWG (depending on distance)

0-10V Wiring: 18-14AWG (depending on distance)

Standards/Ratings

- cULus Listed - Energy Management Equipment (UL916)
- Meets ASHRAE Standard 90.1 requirements
- Meets IECC 2015 requirements
- Meets CEC Title 24 requirements

Environmental Regulations:

- NEMA 1 Type 1

Warranty

Five year warranty standard

Overview

Cooper Lighting Solutions WaveLinx Wired area controllers are one single lighting control solution for all traditional wired control application needs. Designed to be the most scalable, simple, modular and feature rich, these DIN Rail based lighting area controllers are capable of handling energy management, code compliance, architectural lighting and individual addressable lighting applications, all from a single system.

The Cooper Lighting Solutions WaveLinx Wired IL area controllers are sold as a portfolio of feature rich lighting control panels that come in 11 different base configurations across three different enclosure sizes- small, medium and large. All configurations in medium and large size enclosures have the Ethernet Gateway (EG-2) available as an option. Each configuration and option combination has a unique catalog number (within the IL Series) for ease of ordering and identification.

Depending upon the size of the job and the limitations of the electrical closet and/or equipment room spaces, the area controllers can be mixed and matched and networked together. Each area controller configuration is fully networkable via Cooper Lighting Solutions WaveLinx Wired network and commissioned via the Device Editor software package.

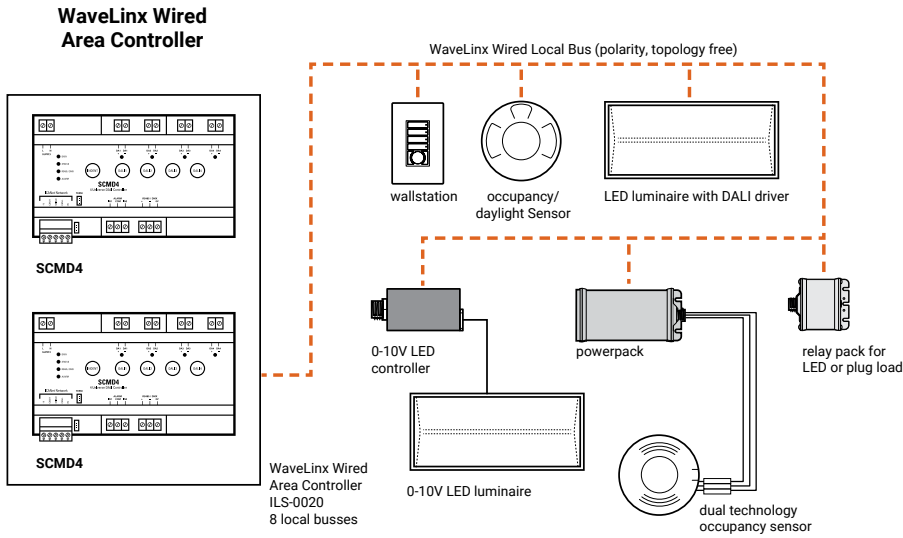
The WaveLinx Wired area controller series solution comes compatible with a full complement of Cooper Lighting Solutions existing portfolio of sensors and accessories.

These can be configured with any of the IL Series area controller configurations to create a powerful lighting control solution that can perform a variety of functions such as:

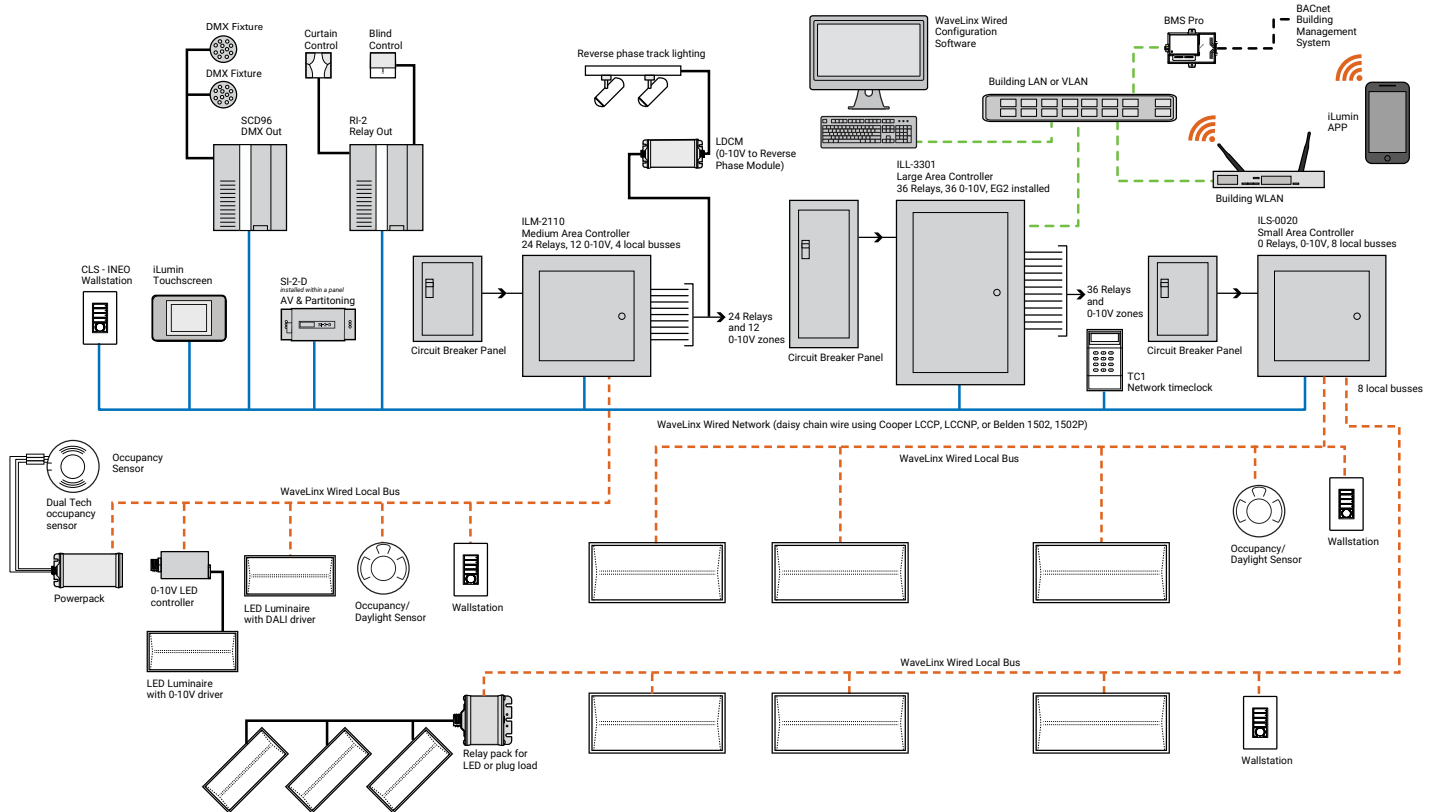
- Occupancy/Vacancy sensing
- Scheduling
- Daylight Harvesting
- Shade Control
- A/V Integration
- Standard/Custom partitioning
- DMX control
- BMS integration and more. Please refer to the design guide and product brochure for more details (see Additional Resources section).

System architecture

Simple WaveLinX Wired system



Complete WaveLinX Wired system



Sample System Topology:


This diagram shows the main components of the WaveLinX Wireless and Wired Connected Lighting system.

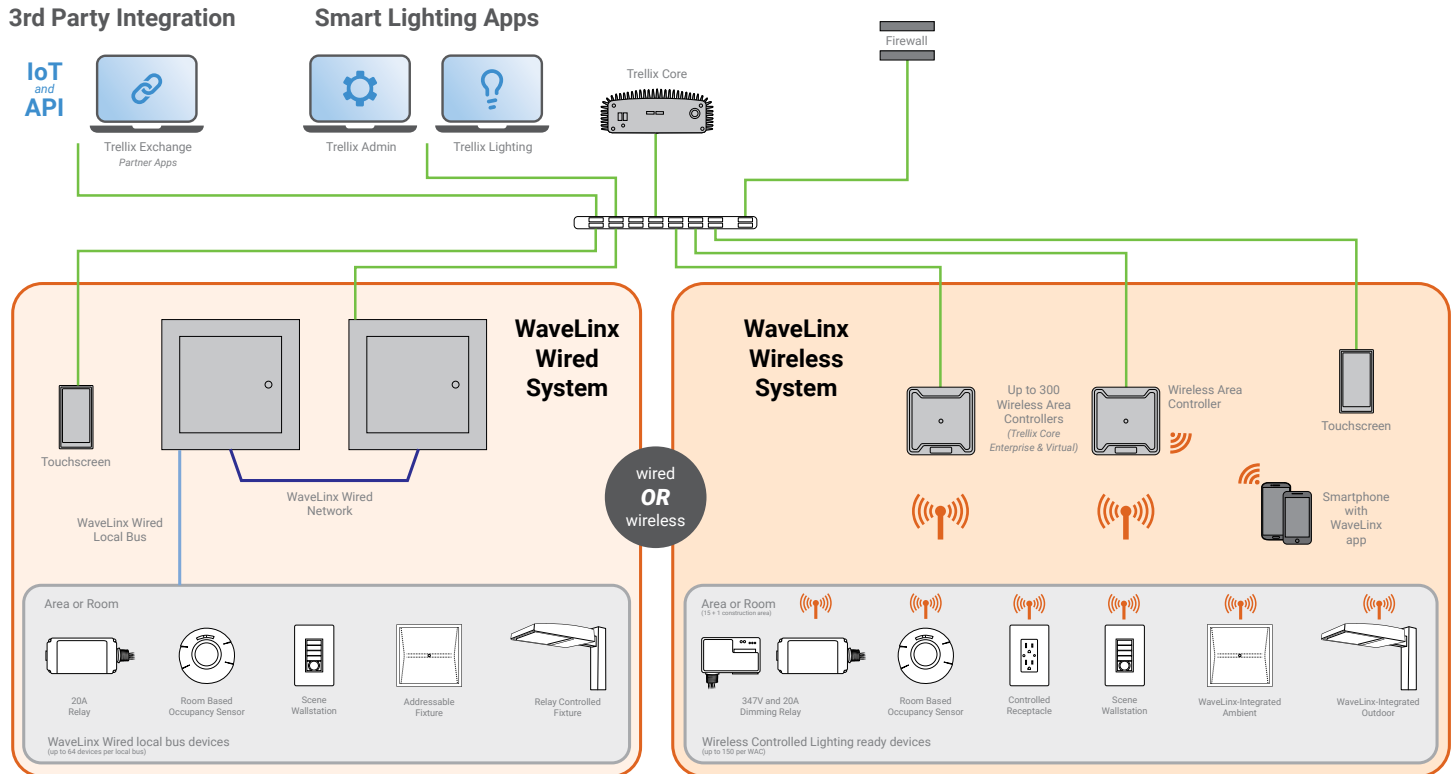
The **WaveLinX wireless system** communicates using wireless mesh technology based on the IEEE 802.15.4 standard. A PoE LAN connection for each Wireless Area Controller (WAC) is required for power and data access to the building lighting network.

The **WaveLinX wired system** controls the devices using relay, 0-10V, DALI methods. A CAN connection for each panel is required for data exchange between the panels. To communicate with the Trellix Core, the WaveLinX wired system requires an ethernet gateway. A LAN connection for each ethernet gateway (EG2) is required for data access to the building lighting network.

The Trellix Core, WaveLinX Area Controllers (WAC) and WaveLinX Ethernet Gateways (EG2) communicate with each other over the Ethernet network.

Please refer to the WaveLinX Wireless Network and IT Guidance Technical Guide and WaveLinX Wired Network and IT Guidance Technical Guide for more information.

 [View WaveLinX Network and IT Guidance Technical Guide](#)



Control Systems

- Trellix
- WaveLinX Wireless
- WaveLinX Wired
- VividTune