

## DESCRIPTION

The Fail-Safe FUSL combines maximum security construction features with energy saving technology. This surface mounted luminaire utilizes a four-sided, sloped clamshell housing, security lensing and tamper resistant fasteners to maximize impact resistance and prevent contraband concealment and unauthorized fixture penetration. For ceiling mount. ETL listed for damp locations, optional wet location under covered ceiling. The FUSL is ideal for confinement/security applications. Suitable for use in inmate cells, psychiatric wards, secure corridors and general population areas.

<b>Catalog #</b>		<b>Type</b>
<b>Project</b>		
<b>Comments</b>		<b>Date</b>
<b>Prepared by</b>		

## SPECIFICATION FEATURES

### Fasteners

Stainless steel tamper-resistant T20 TORX® screws with center pin reject are standard. Allen-head screws with center pin reject optional.

### Housing

Clamshell design combines die-formed 12, 14, 16 or 18 ga. CRS body with continuous welded and ground ends to form a one-piece, seamless, doorless housing which maximizes impact resistance and prevents contraband concealment and unauthorized fixture penetration.

### Finish

High gloss, electrostatically applied, white powder coat finish, average minimum reflectance 92%.

### Hinge

Concealed piano hinge leaves no exposed parts for weapon fabrication and facilitates maintenance.

### Backplate

Die-formed CRS backplate forms an irretrievable blade trap to prevent contraband concealment.

### Lens

Choice of prismatic acrylic, prismatic polycarbonate or prismatic tempered glass on fixture side, clear polycarbonate or clear tempered glass on environmental side. See Lens Ordering Guide.

### Lamps

By others.

### Lens Retention

Lens secured by thru-studs and vertically adjustable internal CRS hold-downs.

### Ballast

Electronic Class P, CBM/ETL ballast.

### Labels

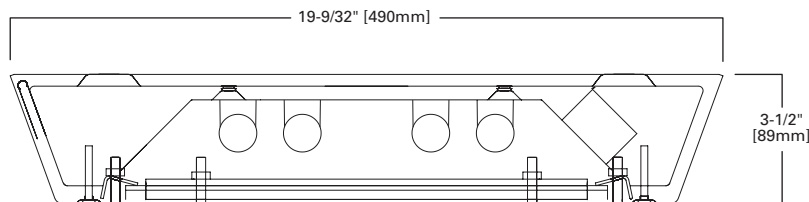
ETL listed for damp locations. Wet location under covered ceiling optional.



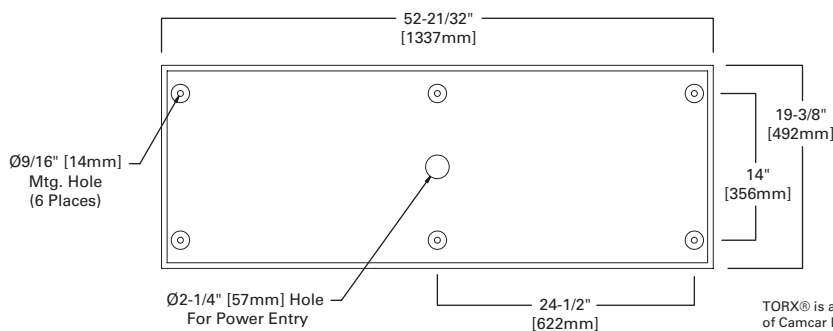
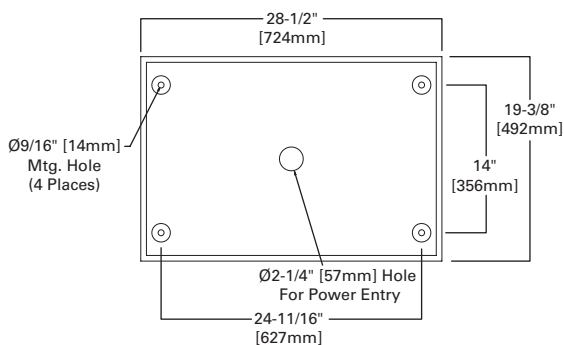
## FUSL16

T5  
T8  
Biaxial  
Fluorescent  
Confinement/Correctional

SURFACE



## MOUNTING DIMENSIONS



TORX® is a registered trademark of Camcar Division of Textron Inc.

ORDERING INFORMATION

SAMPLE NUMBER: FUSL-S16-332-UNV-82/96-EB81

Product Family	Steel Gauge	Fixture Width	Lamp Type	Voltage <sup>2</sup>	Lens Type <sup>6</sup>	Ballast	Options
<b>FUSL</b>		<b>16</b>			<b>/</b>		
<p>FUSL=Ultimax Surface Luminaire</p> <p>S = 12 ga. (Ultimax)                      X = 14 ga. (Maximum)                      D=16 ga. (Medium)                      N=18 ga. (Minimum)</p> <p>16 = 16" Wide</p>		<p><b>2' Nom. Length</b></p> <p><b>T5 Fluorescent</b>                      214=(2) 14W Lamps                      224=(2) 24W Lamps                      314=(3) 14W Lamps <sup>4</sup>                      324=(3) 24W Lamps <sup>4</sup>                      414=(4) 14W Lamps <sup>4</sup>                      424=(4) 24W Lamps <sup>4</sup></p> <p><b>T8 Fluorescent</b>                      217=(2) 17W Lamps                      317=(3) 17W Lamp                      417=(4) 17W Lamps</p> <p><b>Biaxial Fluorescent</b>                      240BX=(2) 40WLamps                      340BX=(3) 40W Lamps</p> <p><b>T8 U Lamp</b>                      2U15/8 = (2) 31W Lamps                      3U15/8 = (3) 31W Lamps <sup>5</sup></p> <p><b>4' Nom. Length</b></p> <p><b>T5 Fluorescent</b>                      228=(2) 28W Lamp                      254=(2) 54W Lamps                      328=(3) 28W Lamps                      354=(3) 54W Lamps                      428=(4) 28W Lamps                      454=(4) 54W Lamps</p> <p><b>T8 Fluorescent</b>                      232=(2) 32W Lamps                      332=(3) 32W Lamps                      432=(4) 32W Lamps</p>		<p>120=120V                      277=277V                      UNV=120V-277V</p>	<p><b>Inner Layer (optional)</b>                      90=0.005 UV Absorbing Overlay  <b>Fixture Side</b>                      80=0.125 Prismatic Acrylic                      81=0.156 Prismatic Polycarbonate                      82=0.187 Prismatic Polycarbonate                      93=0.156 Prismatic Tempered Glass</p> <p><b>Environmental Side</b>                      84=0.125 Clear Polycarbonate                      85=.187 Clear Polycarbonate                      86=0.250 Clear Polycarbonate                      87=0.375 Clear Polycarbonate                      88=0.500 Clear Polycarbonate                      94=0.187 Clear Tempered Glass                      96=0.250 Clear Tempered Glass                      97=0.375 Clear Tempered Glass                      98=0.500 Clear Tempered Glass</p>	<p><b>Electronic Ballasts <sup>1</sup></b>                      EB51=One Ballast for use with T5 Lamp                      EB52=Two Ballasts for use with T5 Lamp                      EB81=One Ballast for use with T8 Lamp                      EB82=Two Ballasts for use with T8 Lamp                      EBX1=One Ballast for use with Biaxial Lamp                      EBX2=Two Ballasts for use with Biaxial Lamp</p>	<p>EL4=EM Pack, T8                      EL5=EM Pack, T5, T5HO                      FNL=Fluorescent Night Light (5, 7, 9W)                      FNL13=Fluorescent Night Light (13W)                      LNL=LED Night Light                      GLR=Fuse and Holder                      WL= Wet Location                      CPHF=Concealed Internal Piano Hinge, Full Length</p> <p><b>On/Off Switches</b>                      SPS=Security Push Button <sup>3</sup>                      AM=Anti-microbial Finish                      MW=Matte White Powder Coat White</p> <p><b>Stainless Steel Outer Housing</b>                      SSN=Natural Brushed Finish                      SSP=Powder Coat Painted White</p> <p><b>Fasteners</b>                      SF3=Allen-Head (center pin reject)</p>
<p><b>Notes:</b></p> <p>1 For specific electronic ballast, specify brand and catalog number.</p> <p>2 Products also available in non-US voltages and 50 Hz for international markets. Consult your Cooper Lighting Solutions Representative for availability and ordering information.</p> <p>3 120V only.</p> <p>4 2 ballasts maximum, no emergency battery backup with two standard ballasts.</p> <p>5 FNL not available.</p> <p>6 Refer to Lens Ordering Guide for additional lens choices</p>							
<p><b>Accessories (order separately)</b></p> <p>9306=Allen-Head Wrench                      VRSD=T20 Center Pin Tamper-proof TORX®-Head screwdriver</p>							