

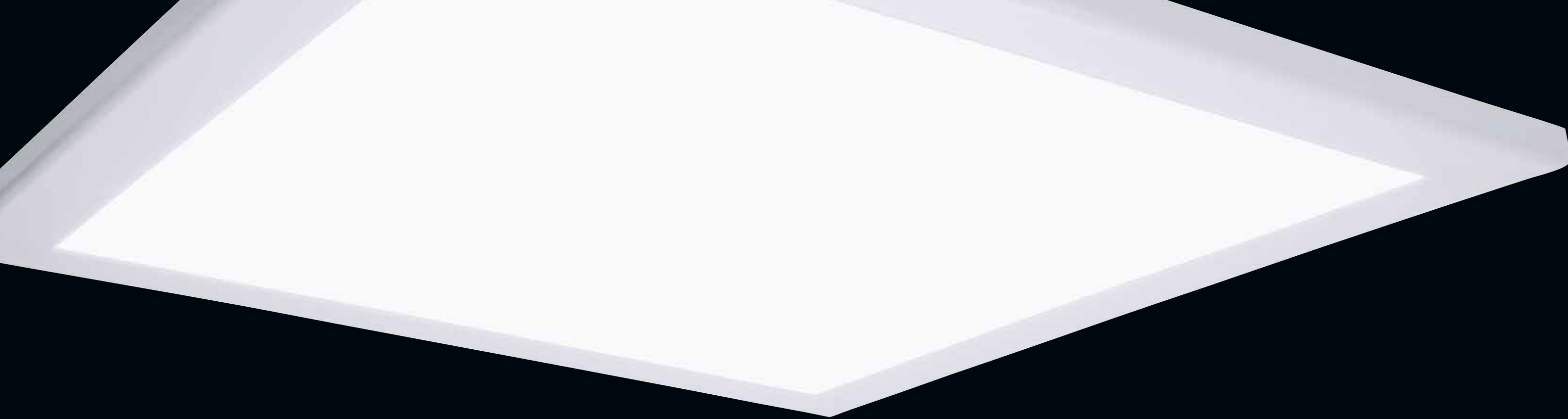
SP
Ultra-thin LED panel

 **Metalux**



EATON

Powering Business Worldwide



SP Ultra-thin LED panel

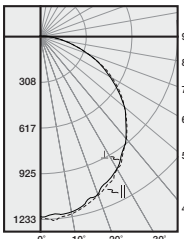
The new **SP** series is an ultra-thin LED panel which features exceptional efficiency, modern design and installation flexibility. Developed with Eaton's latest generation of solid-state lighting and electronic driver technologies, the SP – LED Panel stands above the competition by offering highly efficient edge-lit construction maximizing performance and improving overall energy savings. This edge-lit construction provides customers with smooth, even illumination across the entire span of the panel, eliminating issues with hot spots and glare. The SP series is an ideal solution for installation in grid ceilings, drywall recessed, surface or suspended applications. And perfect for offices, schools, hospitality, retail and other commercial buildings.



Performance

SP – Ultra-thin LED panel
Exceptional performance with highly efficient edge-lit LED construction
Embedded, premium 0 to 10V dimmable driver which works with a range of controls options such as 0 to 10V wall dimmers (10% - 100%), daylighting sensors and room controllers from Eaton
Two Correlated Color Temperatures (3500K, 4000K) at typical 80+ CRI
Optical polycarbonate diffuser provides even light distribution with 120 degree beam angle
Ultra-thin depth minimizing plenum issues during installation
Binning: Per ANSI, 3-step MacAdam ellipse
Easy installation and maintenance free
Suitable for damp location environments
L70 at 50,000 hours
5-year warranty

Photometrics

SP – 2' x 2', 3400 lumens	
	<p>Electronic Driver Linear LED 4000K Spacing criterion: (II) 1.27 x mtg height, (⊥) 1.26 x mtg height Lumens = 3520.7 Input Watts = 32.8 Efficacy = 107.3 lm/W Test: 22SP3440RT.IES</p>

Compliance and approvals

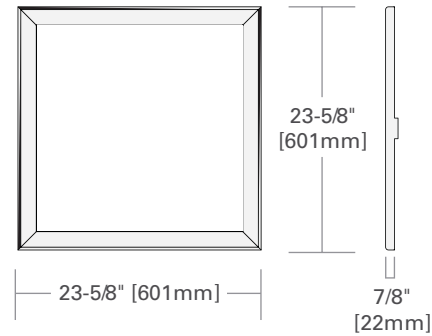


CRI >80
 COLOR RENDERING



Construction

SP – Ultra-thin LED panel
Low profile design - 0.87" H / 23.62" W
Acrylic optical panel with precious laser stretch optics
Steel, progressively formed housing
Tapered, rounded corners for seamless fit
Reinforced surface mounting post
Embedded install features (recessed and suspended)
Multiple conduit entry points



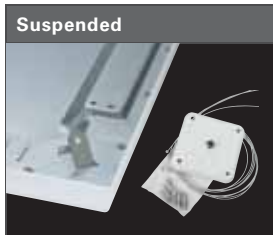
Installation



Recessed
Integral t-bar clips allow for easy installation – no additional assembly required.



Surface
Twist lock mounting – no extra box or frame needed.



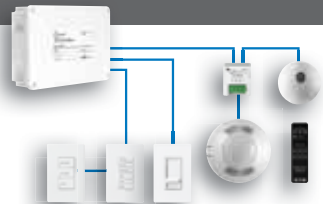
Suspended
Four-point suspension with power cord – no time consuming leveling.

Scalable controls solutions

Local controls

Code-compliant solutions for wall-box ceiling and room systems.

- Easy to use, cost effective
- 0-10V dimming, occupancy and daylight harvesting



Lighting Product Lines

Halo
Halo Commercial
Portfolio
Iris
RSA
Metalux
Corelite
Neo-Ray
Fail-Safe
MWS
Ametrix
Shaper
io
Lumark
McGraw-Edison
Invue
Ephesus
Lumière
Streetworks
AtLite
Sure-Lites

Controls Product Lines

Greengate
iLumin
Zero 88
Fifth Light Technology
iLight (International Only)



Eaton
1121 Highway 74 South
Peachtree City, GA 30269
P: 770-486-4800
www.eaton.com/lighting

Canada Sales
5925 McLaughlin Road
Mississauga, Ontario L5R 1B8
P: 905-501-3000
F: 905-501-3172

© 2016 Eaton
All Rights Reserved
Printed in USA
Publication No. BR519021EN
August 30, 2016

Eaton is a registered trademark.

All other trademarks are property of their respective owners.

Product availability, specifications, and compliances are subject to change without notice.