

Project		Catalog #		Type	
Prepared by		Notes		Date	



Ephesus

Core

Lumadapt Core Gateway

Typical Applications

Pro Arenas University & Collegiate Arenas • Multi-Event & Convention Centers • Gymnasiums & Field Houses

Interactive Menu

- Order Information page 2
- Technical Specifications page 2
- System Performance page 2

Product Certification

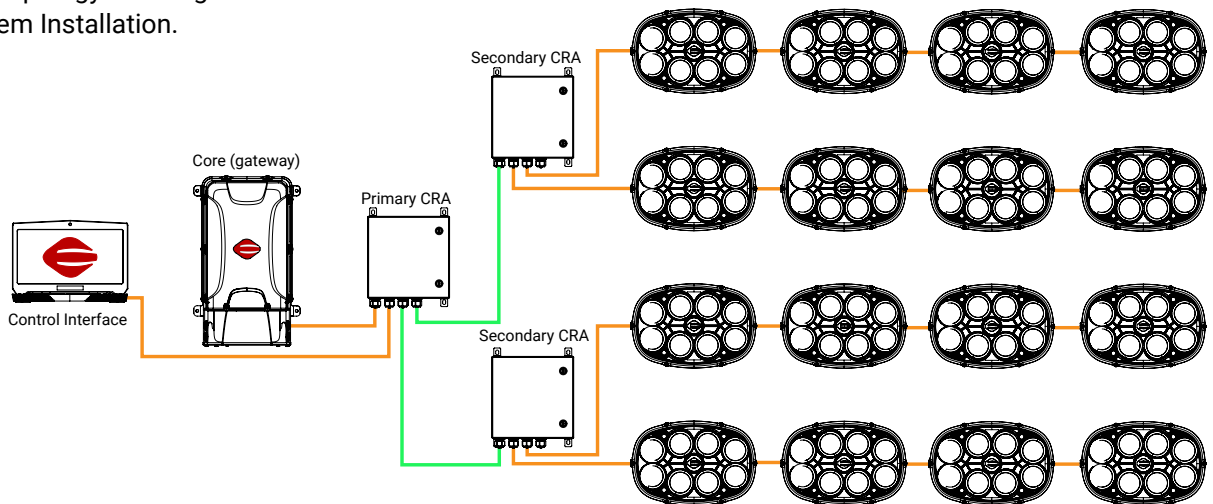


Top Product Features

- System overview with control, UI and data collection
- System dashboard shows performance of lighting system and system health
- The core can be installed in controlled environments or outdoors in harsh conditions
- Mounting feet allows fast assembly to existing hardware or flat surface

Sample System Topology

Example system topology showing a Lumadapt System Installation.



Key

- Fiber
- Copper Ethernet

Order Information

SAMPLE ORDER NUMBER: **EPH-CR-PRO-USA-N-N**

Brand	Product
EPH = Ephesus	CR-PRO-USA-N-N = Wired Gateway

Technical Specifications

Electrical

- 120 to 240V
- 25W

System

- **Processor:** i.MX6 Single, Dual, Quad core Battery Backed Real Time Clock
- **Web Client:** Chrome, Firefox, IE 10+
- **Number of Nodes:** XX
- **Operating System:** Linux Based, UI through App

Mechanical

- **Enclosure:** Polycarbonate and Aluminum Shell
- **Dimensions:** 24.3"x15.52"x9.02"
- **Enclosure Material:** Gray
- **Operating Conditions:** -40C to 55C
- **Weight:** Approximately 30lbs.
- IP66

Mounting and IO Port

The Core can be mounted inside or outside by variety of methods

