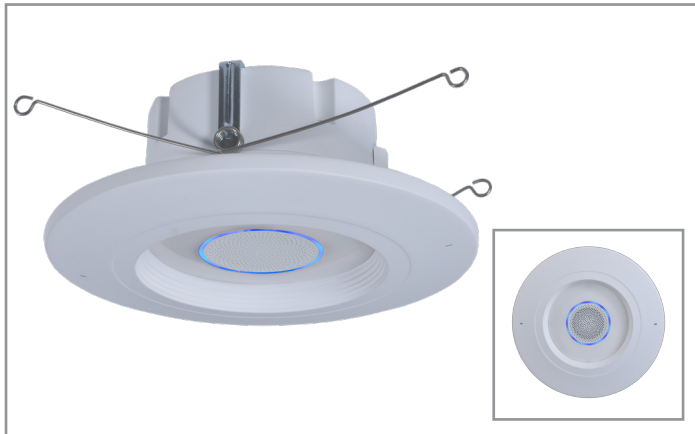


Project		Catalog #		Type	
Prepared by		Notes		Date	



HALO HOME

RL56-HVA | VOICE

5/6-Inch Alexa Voice Integrated LED Retrofit Module

Typical Applications

Residential

Interactive Menu

- Order Information [page 2](#)
- Product Specifications [page 3](#)
- Energy & Performance Data [page 3](#)
- Product Warranty

Product Certification



-CA models only

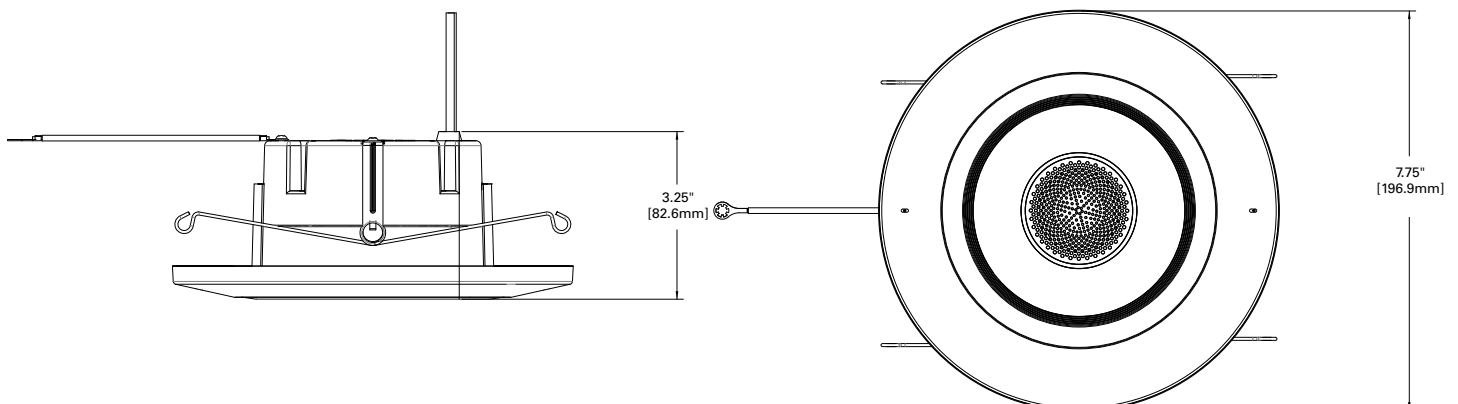
Product Features



Top Product Features

- Amazon Alexa Voice integration
- Adjustable white tuning: 2700K - 5000K, 90 CRI
- Connect to the HALO Home Bluetooth Mesh network, no hub required
- Suitable for new construction, remodel and retrofit
- Certified for use with HALO 5" & 6" housings. Certified for use with other 5" & 6" housings

Dimensions



Kit Order Information

SAMPLE ORDER NUMBER: **RL56HVAHWB1**

Module	Kit Type
RL56 = HALO Voice RL56 LED module	HVAHWB1 = 5/6" Halo Voice + Bridge HVAHIWAC = 5/6" Halo Voice + Accessory + Bridge Kit

Order Information

SAMPLE ORDER NUMBER: **RL56069B4AWHVA**

Module	CRI/CCT	Protocol	Finish	Type	T24 Compliant
RL5606 = HALO Voice RL56 LED module	9 = 90 CRI minimum, white tuning, select CCT 2700K – 5000K, in the mobile app	B4A = Bluetooth Mesh wireless control, 4, 0, and Amazon Alexa Voice Services module	W = matte white baffle	HVA = Halo Voice Alexa	-CA = T24 Compliant

Housing Compatibility

Compatible Halo Incandescent E26 Screwbase Housings	
<p>Halo Standard Housings 5-inch</p> <p>H5ICAT= 5" Insulated Ceiling, Air-Tite New Construction Housing H5RICAT= 5" Insulated Ceiling, Air-Tite Remodel Housing H5ICATNB= 5" Insulated Ceiling, Air-Tite New Construction Housing, No Socket Bracket H5T= 5" Non-IC, New Construction Housing H5RT= 5" Non-IC, Remodel Housing H25ICAT = 5" Shallow, Insulated Ceiling, Air-Tite New Construction H25ICATNB = 5" Shallow, Insulated Ceiling, Air-Tite New Construction, No Socket Bracket E5TAT= 5" Non-IC, New Construction Housing E5RTAT= 5" Non-IC, Remodel Housing H5TNB= 5" Non-IC, New Construction Housing, No Socket Bracket E5TATNB= 5" Non-IC, New Construction Housing, No Socket Bracket E5ICAT= 5" Insulated Ceiling, Air-Tite New Construction Housing E5RICAT= 5" Insulated Ceiling, Air-Tite Remodel Housing E5ICATNB= 5" Insulated Ceiling, Air-Tite New Construction Housing, No Socket Bracket</p> <p>Halo Standard Housings 6-inch</p> <p>H7ICAT= 6" Insulated Ceiling, Air-Tite New Construction Housing H7RICAT= 6" Insulated Ceiling, Air-Tite Remodel Housing H7ICT= 6" Insulated Ceiling, New Construction Housing H7RICT= 6" Insulated Ceiling, Remodel Housing</p>	<p>H7ICATNB= 6" Insulated Ceiling, Air-Tite New Construction Housing, No Socket Bracket H7ICTNB= 6" Insulated Ceiling, New Construction Housing, No Socket Bracket H7T= 6" Non-IC, New Construction Housing H7RT= 6" Non-IC, Remodel Housing H7TNB= 6" Non-IC, New Construction Housing, No Socket Bracket H7TCP= 6" Non-IC, Chicago Plenum, New Construction/Remodel Housing H7UICAT= 6" Insulated Ceiling, Universal, Air-Tite, New Construction Housing H27ICAT= 6" Shallow, Insulated Ceiling, Air-Tite New Construction H27RICAT= 6" Shallow, Insulated Ceiling, Air-Tite Remodel Housing H27T= 6" Shallow, Non-IC, New Construction Housing H27RT= 6" Shallow, Non-IC, Remodel Housing E27ICAT= 6" Shallow, Insulated Ceiling, Air-Tite New Construction E27RICAT= 6" Shallow, Insulated Ceiling, Air-Tite Remodel Housing E27TAT= 6" Shallow, Non-IC, New Construction Housing E27RTAT= 6" Shallow, Non-IC, Remodel Housing E7ICAT= 6" Insulated Ceiling, Air-Tite New Construction Housing E7RICAT= 6" Insulated Ceiling, Air-Tite Remodel Housing E7ICATNB= 6" Insulated Ceiling, Air-Tite New Construction Housing, No Socket Bracket E7TAT= 6" Non-IC, New Construction Housing E7RTAT= 6" Non-IC, Remodel Housing E7TATNB= 6" Non-IC, New Construction Housing, No Socket Bracket</p>

RL56 Series LED Retrofit is UL Classified for retrofit in the follow 5/6" recessed housings:

The RL56 Voice Series LED light module - trim combination is UL Certified for use with any 5/6" diameter recessed housing constructed of steel or aluminum with an internal volume that exceeds 107.9 in3 in addition to those noted above.

Product Specifications

Wireless System

- For use with the Halo Voice and Halo Home mobile apps.
- Wi-Fi module connects product to wireless network through the Halo Voice app. Sign-In to Amazon Account within the Halo Voice app for Alexa functionality.
- Bluetooth low energy (BLE) mesh allows on/off, white tuning and lumen output to be controlled wirelessly with companion wall switches, smart phones and tablets using Halo Home mobile application.
- Group, schedule, scenes and automate lighting actions through Halo Home mobile app.
- Bridge required to control the light with voice.

HALO Home products work better together. Smartphone will need to be within range to control a HALO Home device. Expand and strengthen the Bluetooth network range by adding more HALO Home devices. Visit halohomesupport.eaton.com to learn more.

Wireless Pairing

- See HALO Home Quick Start Guide for wireless setup, guidance and troubleshooting: halohomesupport.eaton.com/downlight

Module - Trim

- Module construction includes LED Array, heat sink, reflector, lens, baffle and trim ring.
- Regressed baffle
- Heat sink designed to conduct heat away from the LED Array, keeping the junction temperatures below specified maximums, even when installed in insulated ceiling environments.

LED Array

- Mid power LED array provides a uniform source with high efficiency and no pixilation.
- 90 CRI minimum, R9 greater than 50
- Color accuracy within 3 SDCM at the CCT endpoints and 4 SDCM in between endpoints, provide color accuracy and uniformity.
- Color Temperature (CCT) has an adjustable range from 2700K to 5000K within the mobile app (factory default 3000K)
- 50,000 hour life

Optical Assembly

- Regressed lens
- Impact-resistant polycarbonate
- Convex form and lamp-like appearance
- Diffuse for even illumination

Driver

- Integral 120V 50/60 Hz constant current driver provides noise free operation
- Inline electrical quick connect and E26 adapter (provided in non California version) provides mains connections
- Consult instruction sheets and quick start guide for more information

Dimming

- In the Halo Home mobile app, or through Alexa commands for continuous, flicker-free dimming from 100% to 5%.
- It is not recommended with any in wall dimmers.

Retention

- Integral torsion springs for quick and secure installation

Compliance

- UL Certified for US and Canada for use with Halo housings and other's housings
- EMI/RFI emissions per FCC 47CFR Part 15 consumer limits
- Contains no mercury or lead and RoHS compliant
- Photometric testing in accordance with IES LM-79-08
- Lumen maintenance projections in accordance with IES LM-80-08 and TM-21-11
- Can be used for State of California Title 24 high efficacy luminaire compliance. Complies with Title 24 JA8-2016-E.
- FCC ID - 2AKCY-RL56BLEHVA
- IC Code - 4706A-RL56BLEHVA

Warranty

- Five year limited warranty, consult website for details. www.cooperlighting.com

Energy and Performance Data

Standard Efficacy Versions

Catalog Number	Lumens	Watts	lm/W
RL56069B4AWHVA	827	12.5	66.2

Lighting Facts

PRODUCT SPECIFICATIONS	
Brightness	827 lumens
Energy Used	12.5 watts
Lumens per Watt (Efficacy)	66.2
Color Accuracy	92
Light Color (CCT)	3000K
Correlated Color Temperature (CCT)	
	Color Temp Range
Performance metrics are measured at the factory setting; 3000K Las métricas de rendimiento se miden en la configuración de fábrica: 3000K	