

Project		Catalog #		Type	
Prepared by		Notes		Date	



# Sure-Lites

## SELDWA Emergency Light

LED Emergency Light  
 Wet Location  
 AccuLED Optic  
 Self Diagnostics

### Typical Applications

Office • Education • Healthcare • Hospitality • Retail • Industrial

### Interactive Menu

- Order Information page 2
- Photometric Data page 2
- Product Warranty

### Product Certification



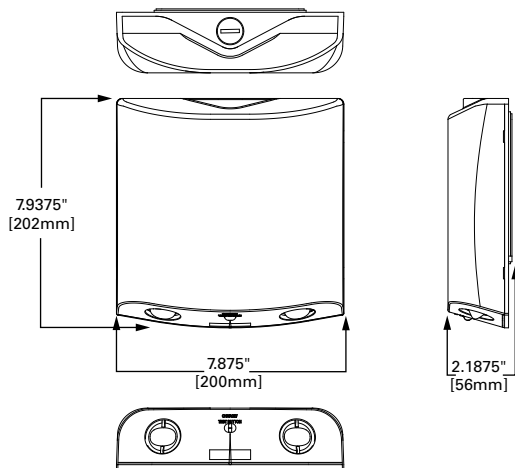
### Product Features



### Top Product Features

- Long life LED source with rotatable optics
- Labor-saving automatic self-diagnostic for NFPA testing
- 29 feet to 50 feet of emergency egress coverage
- UL924 listed for wet location; NYC and Chicago Compliant
- Multi-voltage input 120/240/277 VAC
- Mullion-mount option

### Dimensional Details



additional product diagrams

## Ordering Information

SAMPLE ORDER NUMBER: **SELW25BZ**

Series	Wet Location	Temperature	Type	Coverage	Color	Self Diagnostics	Catalog
SELD	W=Wet location.	__=0 C to 40 C	A=Architectural	50=50 ft.	__=Silver BZ=Bronze BK=Black WH=White	SD=self diagnostics (standard)	SELDWA50SD SELDWA50BZSD SELDWA50BKSD SELDWA50WHSD
SELD	W=Wet location.	T=-20 C to 55 C	A=Architectural	29=29 ft.	__=Silver BZ=Bronze BK=Black WH=White	SD=self diagnostics (standard)	SELDWTA29SD SELDWTA29BZSD SELDWTA29BKSD SELDWTA29WHSD

### Accessory

SELDWAMMKIT enables mullion mounting and is ordered separately.

## Product Specifications

### Electrical

- Dual Voltage Input 120/277 VAC, 60Hz
- Brownout circuit
- Low voltage disconnect
- Overload / Short Circuit protection
- 4.8V Battery back-up
- 100 Lumen LED = 1.1 watts
- 300 Lumen LED = 4.1 watts

### Environmental

- Outdoor rated
- SELDWA50: 0 °C to 40 °C (32 °F to 104 °F)
- SELDWA29: -20 °C to 55 °C (-4 °F to 131 °F)

### Housing Construction

- Die cast aluminum housing
- White, black, silver, or bronze textured finish
- Snap-fit construction to facilitate fast installation
- Suitable for wall mount or conduit mount applications
- Universal J-box mounting pattern
- Keyhole mounting slots
- Aesthetically designed with a thin profile
- Sealed and gasketed for Wet Location use

### Battery

- Sealed Nickel Cadmium
- Full Recharge Time, 24 hours (max.)
- Mullion-mount option enabled with the SELDWAMMKIT accessory

### Warranty

- Five-year warranty
- Seven year pro-rated battery warranty

### Code Compliance

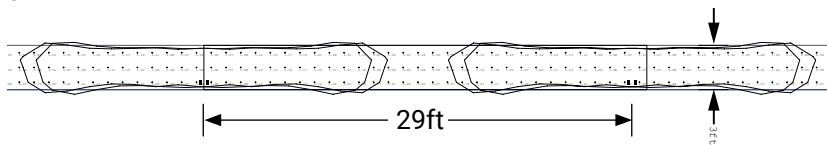
- UL924 Wet Location Listed
- Life Safety NFPA 101
- NEC/OSHA
- Most State & Local Codes
- California Energy Code
- NYC compliant
- SELDWA50 series is City of Chicago compliant

## Electrical Data

Model	120V			277V		
	Power (W)	Current (A)	PF	Power (W)	Current (A)	PF
<b>All Models</b>	2.0	0.3	0.07	1.8	0.21	0.03

## Photometry

SELDWTA29

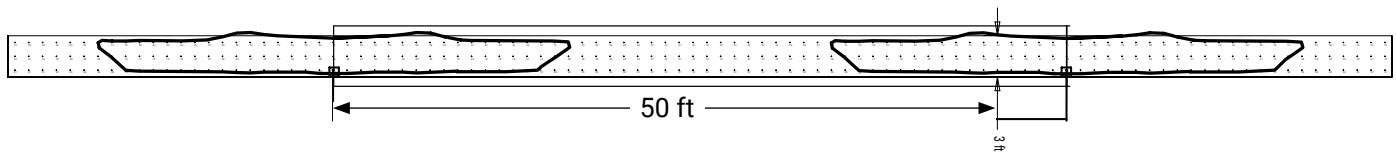


X	Y	Z	Orient	Tilt	Roll
-0.25	0.5	7.5	90	7	1
0.25	0.5	7.5	90	7	-1
28.75	0.5	7.5	90	7	1
29.25	0.5	7.5	90	7	-1
57.75	0.5	7.5	90	7	1
58.25	0.5	7.5	90	7	-1
-29.25	0.5	7.5	90	7	1
-28.75	0.5	7.5	90	7	-1

[View IES files](#)

## Photometry

SELDWA50SD



X	Y	Z	Orient	Tilt
23.5	0.5	7.5	90	0
129.5	0.5	7.5	90	0
-29.5	0.5	7.5	90	0
76.5	0.5	7.5	90	0
182.5	0.5	7.5	90	0

## Technical Data

### AccuLED Optics™

- Precision engineered optics display sharp cutoffs and oval light pattern for a clear path of egress per UL924 standards
- Efficient optical design increases spacing distance between units
- Provides evenly diffused light pattern throughout the egress path for both 1 footcandle average and 0.1 footcandle minimum
- Lens swivel feature provides forward-throw of egress lighting

### Mechanical Housing

- Die-cast aluminum construction
- Mounting hole pattern is universal to junction box requirements and suitable for wall mount or conduit mount
- Housing color available in bronze, black, white or silver

### EZ Hang Mounting Feature

- Hands-free feature allows installer to hang the emergency light face from the back plate to easily and efficiently make power connections

### Brownout Circuit

- Monitors the flow of AC current
- Activates the emergency lighting system when a predetermined reduction/dip of AC power occurs (a dip in voltage will cause most ballasted products to extinguish, causing loss of normal lighting even though a total power failure has not occurred)

### Low Voltage Disconnect

- Low-voltage circuitry disconnects the lighting load when battery's terminal voltage falls
- Disconnect remains in effect until normal utility power is restored, preventing deep battery discharge

### Self-Diagnostics

- Automatically performs all tests required by UL924 and NFPA 101
- Indicates the status of the emergency light at all times using the LED indicator
- 90-minute battery power (emergency mode) simulation test occurs randomly once every 12 months
- 30-second battery power simulation test occurs every 30 days
- Solid-State microprocessor-based system has the ability to accurately detect and warn of system failures
- Incorporates all of the standard electronic features
- Systematically calibrates itself in the field, reducing installation labor and eliminating manual calibration errors

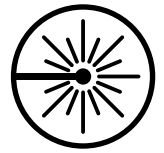
### Battery

- Rechargeable battery offers high discharge rates and stable performance over a wide range of temperatures
- Resealable vent automatically controls cell pressure, assuring safety and reliability
- Best suited for harsh ambient temperatures due to the electrolyte is not active in the electrochemical process
- Mullion-mount option enabled with the SELDWAMMKIT accessory

### Warranty

- Five-year warranty against defects in material and workmanship
- Lead cadmium battery has a seven-year prorated warranty

## Self Diagnostic Testing Operations



Self Diagnostic

The Sure-Lites Self-Diagnostics is continuously monitoring your emergency fixture, and will signal any failure through the 3 color indicator LED.

### Initial Operation:

When the unit is first powered up, it will go into a 24 hour fast charge, indicated by the indicator LED pulsing green. Once the unit has fully charged, it will perform a self calibration, after which the LED will change to steady green, indicating the unit is fully charged and float charging the battery to maintain readiness.

### Automatic Testing:

The unit will perform a battery capacity, lamp/LED, and charge circuit test every 30 days for 30 seconds. During this time, the indicator LED will change to a steady yellow. It will perform a full battery capacity (90 minute) test once per year. During this time, the indicator LED will change to a blinking yellow.

### Manual Testing:

- 10 Second "Installation" test – Press and release the test button once during fast charge (blinking green) to initiate a 10 second quick test. The sign will switch to emergency mode for 10 seconds allowing the installer to verify proper installation of the unit, and the LED indicator will turn solid yellow
- 30 Second Test - Press and release the test button once during float charge (steady green). The indicator LED will turn steady yellow to indicate the unit is performing a 30 second test of the batteries and lamps/LEDs
- 90 Minute Test - Press and release the test button a second time during a 30 second test (steady yellow) to change to a 90 minute test. During this test, the LED indicator will change to blinking yellow, and the circuit will perform a full battery capacity, charge circuit, and LED test
- Canceling Test – Press and release the test button during the 90 minute test (flashing yellow) to return the fixture to its original state (fast charge or float charge)

### Laser Test:

The SD versions are equipped with a Laser Test function, that allows the unit to be manually tested without the need to physically press the test button. Shining a laser pointer in the hole marked "LASER TEST" on the bottom of the unit has the same effect as a press and release of the test button.

### Clearing Failure Codes:

- A battery failure (LED two blink red) can be cleared by replacing the battery. Disconnecting the battery and AC power, or performing a full 90 minute discharge, will reset the error code, however, it will return if the battery is faulty
- Charge Circuit (LED three blink red) and lamp/LED failure (LED four blink red) will clear when the unit successfully passes a manual or automatic 30 second test

### Indicators:

- LED Off - No power to unit, emergency mode.
- LED Steady Green - Unit is fully charged and is float charging the battery to maintain readiness.
- LED Green Pulse - Unit is in a 24 hour fast charge of the battery.
- LED Two Blink Red - Battery has failed a capacity test, or the battery is disconnected. See "Clearing Failure Codes" above.
- LED Three Blink Red - Battery charge circuit has failed. See "Clearing Failure Codes" above.
- LED Four Blink Red - Lamps have burned out, or on an EXIT/Combo, 50% or more of the LEDs have failed. See "Clearing Failure Codes" above.
- LED Steady Yellow - 30 second test or 10 second quick test (Fast Charge only).
- LED Blinking Yellow - 90 minute test.

### Maintenance:

None required. Replace the batteries as needed according to ambient conditions. However, we recommend that the equipment be tested regularly in accordance with local codes.

SURE-LITES SELF DIAGNOSTICS	
	OFF - EMERGENCY MODE / POWER OFF
	STEADY BLINK GREEN - FAST CHARGE
	STEADY GREEN - FULL / FLOAT CHARGE
	STEADY YELLOW - QUICK TEST
	STEADY BLINK YELLOW - 90 MINUTE TEST
	2 BLINK RED - BATTERY FAILURE
	3 BLINK RED - CHARGE CIRCUIT FAILURE
	4 BLINK RED - LAMP/LED FAILURE