

DESCRIPTION

The Sure-Lites SEL LED remote series reduces overall cost and design time for a UL924 compliant emergency egress system. Key features include market leading spacing to reduce the number of fixtures required; universal voltage input from 4.8V through 12V and wet location rating as standard to reduce design time and mistake proof the ordering process; an LED source to eliminate lamp maintenance along with the quality and reliability you expect from Cooper Lighting Solutions products.

| | | |
|-------------|--|------|
| Catalog # | | Type |
| Project | | |
| Comments | | Date |
| Prepared by | | |

SPECIFICATION FEATURES

ELECTRICAL

- 4.8V through 12V input voltage
- 90 lumen, 200 lumen and 285 lumen LED options
- Universal polarity wiring

MECHANICAL

Plastic Housing:

- Flame and impact resistant injection molded thermoplastic housing
- Available in white, grey and black finishes - specify when ordering
- Lamp heads adjust 80° from vertical with 358° rotation

Metal Housing:

- Lamp housing made of corrosion resistant 22 gauge die formed spun aluminum.
- Available in white, grey and black finishes - specify when ordering
- Lamp heads adjust 80° from vertical with 358° rotation

MOUNTING

- Aluminum mounting plate mounts flush on wall or ceiling
- Designed for installation on standard electrical box

ENVIRONMENTAL

- All remotes are wet location
- Temperature rating -30°C to 60°C

WARRANTY

- 5 year limited warranty
- UL 924 Listed

ACCESSORIES

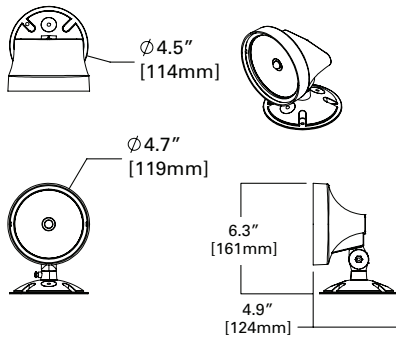
- Wireguard WG8 for use with single head remotes
- Wireguard WG9 for use with double head remotes

HOW TO SPECIFY

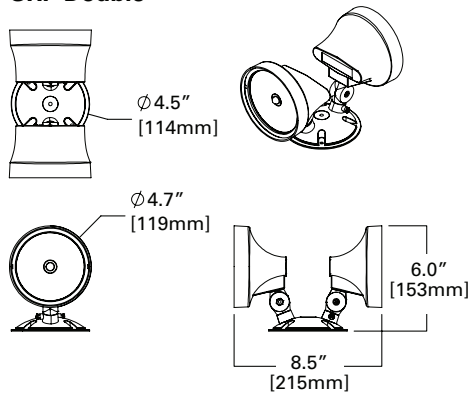
LED remote with 4.8V through 12V input, -30°C to 60°C temperature rating and up to 60 feet of coverage.

DIMENSIONS

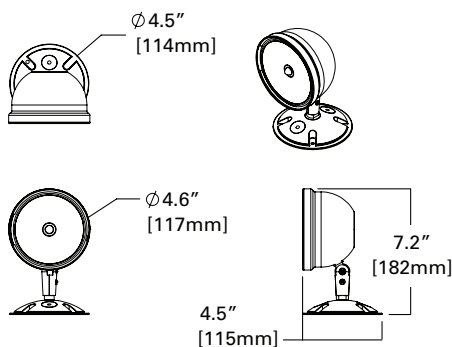
SRP Single



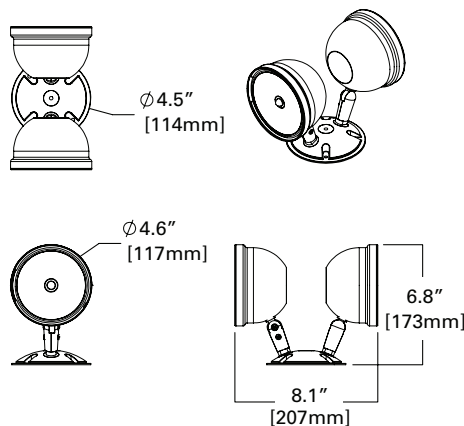
SRP Double



SRM Single



SRM Double



SRP



SRPD



SRM



SRMD

SEL Series Remote LED Emergency Light

ORDERING INFORMATION

SAMPLE NUMBER: SRP13WH

| Series | Material | Coverage | Number of Heads | Color |
|-----------------------|-------------------------------|--|-----------------|---------------------------------|
| SR= Sure-Lites remote | P=Polycarbonate M=Aluminum | 13=13 feet 25=25 feet 30=30 feet | _ =Single | WH=White BK=Black GY=Grey |

| Series | Material | Coverage | Number of Heads | Color |
|-----------------------|-------------------------------|--|-----------------|---------------------------------|
| SR= Sure-Lites remote | P=Polycarbonate M=Aluminum | 25=25 feet 50=50 feet 60=60 feet | D=Double | WH=White BK=Black GY=Grey |

ENERGY DATA

| | Amp (A) | Watt (W) |
|---------------|---------|----------|
| SRM13 / SRP13 | 0.25 | 1.25 |
| SRM25 / SRP25 | 0.5 | 2.5 |
| SRM30 / SRP30 | 1.0 | 4.1 |

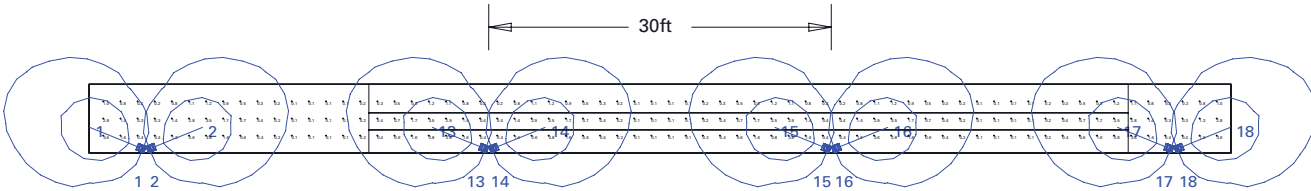
| | | |
|-----------------|------|------|
| SRM25D / SRP25D | 0.50 | 2.50 |
| SRM50D / SRP50D | 1.0 | 5.0 |
| SRM60D / SRP60D | 2.0 | 8.2 |

SPACINGS CHART

| Catalog Logic | Output Lumens | Double Head Coverage at 0.1 foot candle minimum | | Double Head Coverage at 1.0 foot candle minimum | |
|---------------|---------------|---|----------------|---|----------------|
| | | 7.5 foot height | 20 foot height | 7.5 foot height | 20 foot height |
| SRP25D/SRM25D | 90 | 30 | 15 | 12 | 12 |
| SRP50D/SRM50D | 200 | 49 | 33 | 18 | 22 |
| SRP60D/SRM60D | 285 | 65 | 52 | 15 | 27 |

PHOTOMETRY

SRP25D AND SRM25D - 0.1 Fc min



1.5' Away from Wall

Illuminance Values(Fc)
Average = 1.27
Maximum = 3.8
Minimum = 0.1
Avg/Min Ratio = 12.70
Max/Min Ratio = 38.00
No. Points = 44

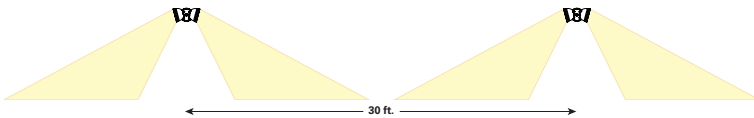
3' Away from Wall

Illuminance Values(Fc)
Average = 1.18
Maximum = 3.5
Minimum = 0.1
Avg/Min Ratio = 11.80
Max/Min Ratio = 35.00
No. Points = 44

4.5' Away from Wall

Illuminance Values(Fc)
Average = 0.56
Maximum = 1.2
Minimum = 0.1
Avg/Min Ratio = 5.60
Max/Min Ratio = 12.00
No. Points = 44

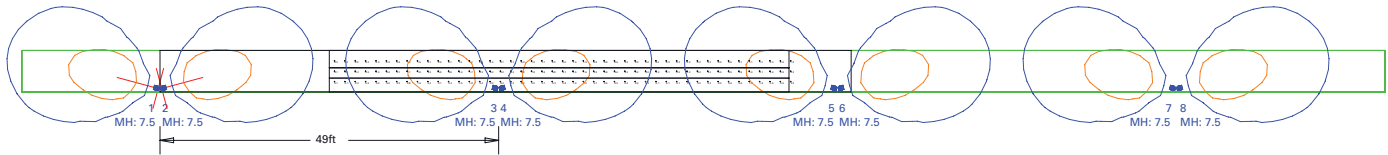
| Lum. No. | Label | X | Y | Z | Orient | Tilt |
|----------|--------|-------|------|-----|--------|------|
| 1 | P26739 | 4.75 | 0.33 | 7.5 | 158 | 34 |
| 2 | P26739 | 5.25 | 0.33 | 7.5 | 22 | 34 |
| 13 | P26739 | 34.75 | 0.33 | 7.5 | 158 | 34 |
| 14 | P26739 | 35.25 | 0.33 | 7.5 | 22 | 34 |
| 15 | P26739 | 64.75 | 0.33 | 7.5 | 158 | 34 |
| 16 | P26739 | 65.25 | 0.33 | 7.5 | 22 | 34 |
| 17 | P26739 | 94.75 | 0.33 | 7.5 | 158 | 34 |
| 18 | P26739 | 95.25 | 0.33 | 7.5 | 22 | 34 |



***The "Rule of Thumb" spacing guidelines are designed to achieve 1 foot-candle average and 0.1 foot-candle minimum with a 40:1 maximum/minimum ratio. The corridor used is 100 feet long, 9 foot ceiling with a 6 foot wide walkway and 3 foot path of egress. The reflectances are 80% ceiling, 50% walls and 20% floors. The fixture mounting height is 7.5 feet. Cooper Lighting Solutions assumes no responsibility for local requirements or specific project variables. This is a guideline to be used as a design aid, not as guarantee of any code compliance.

PHOTOMETRY

SRM50D and SRP50D - 0.1 Fc min



1.5' Away from Wall

Illuminance Values(Fc)
 Average = 1.03
 Maximum = 3.3
 Minimum = 0.1
 Avg/Min Ratio = 10.30
 Max/Min Ratio = 33.00
 No. Points = 44

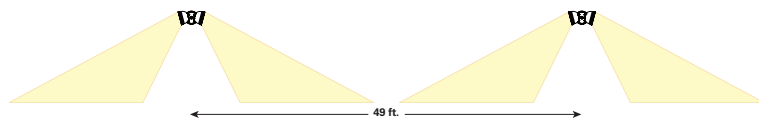
3' Away from Wall

Illuminance Values(Fc)
 Average = 1.22
 Maximum = 3.9
 Minimum = 0.1
 Avg/Min Ratio = 12.20
 Max/Min Ratio = 39.00
 No. Points = 44

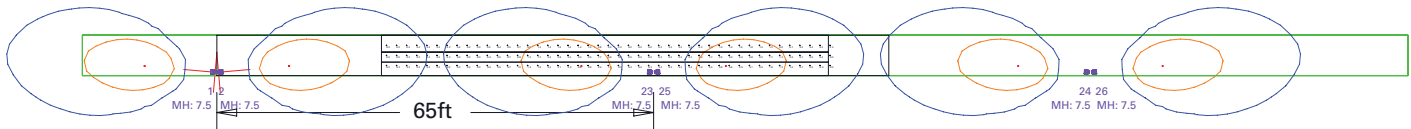
4.5' Away from Wall

Illuminance Values(Fc)
 Average = 0.87
 Maximum = 2.4
 Minimum = 0.1
 Avg/Min Ratio = 8.70
 Max/Min Ratio = 24.00
 No. Points = 44

| Lum. No. | Label | X | Y | Z | Orient | Tilt |
|----------|-------------------------------|--------|-----|-----|--------|------|
| 1 | P26834 4_8V 199 lumen acrylic | -0.25 | 0.5 | 7.5 | 165 | 52 |
| 2 | P26834 4_8V 199 lumen acrylic | 0.25 | 0.5 | 7.5 | 15 | 52 |
| 3 | P26834 4_8V 199 lumen acrylic | 48.75 | 0.5 | 7.5 | 165 | 52 |
| 4 | P26834 4_8V 199 lumen acrylic | 49.25 | 0.5 | 7.5 | 15 | 52 |
| 5 | P26834 4_8V 199 lumen acrylic | 97.75 | 0.5 | 7.5 | 165 | 52 |
| 6 | P26834 4_8V 199 lumen acrylic | 98.25 | 0.5 | 7.5 | 15 | 52 |
| 7 | P26834 4_8V 199 lumen acrylic | 146.75 | 0.5 | 7.5 | 165 | 52 |
| 8 | P26834 4_8V 199 lumen acrylic | 147.25 | 0.5 | 7.5 | 15 | 52 |



SRP60D AND SRM60D - 0.2 Fc min



1.5' Away from Wall

Illuminance Values(Fc)
 Average = 1.35
 Maximum = 4.6
 Minimum = 0.2
 Avg/Min Ratio = 6.75
 Max/Min Ratio = 23.00
 No. Points = 44

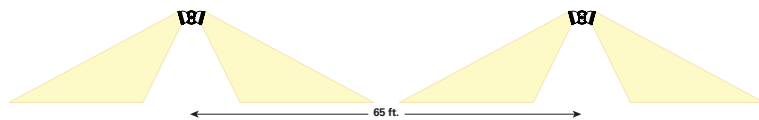
3' Away from Wall

Illuminance Values(Fc)
 Average = 1.11
 Maximum = 3.4
 Minimum = 0.2
 Avg/Min Ratio = 5.55
 Max/Min Ratio = 17.00
 No. Points = 44

4.5' Away from Wall

Illuminance Values(Fc)
 Average = 0.65
 Maximum = 1.6
 Minimum = 0.2
 Avg/Min Ratio = 3.25
 Max/Min Ratio = 8.00
 No. Points = 44

| Lum. No. | Label | X | Y | Z | Orient | Tilt |
|----------|--------|--------|-----|-----|--------|------|
| 1 | P27192 | -0.25 | 0.5 | 7.5 | 175 | 62 |
| 2 | P27192 | 0.25 | 0.5 | 7.5 | 5 | 62 |
| 23 | P27192 | 66.25 | 0.5 | 7.5 | 5 | 62 |
| 24 | P27192 | 130.25 | 0.5 | 7.5 | 5 | 62 |
| 25 | P27192 | 64.75 | 0.5 | 7.5 | 175 | 62 |
| 26 | P27192 | 129.75 | 0.5 | 7.5 | 175 | 62 |



***The "Rule of Thumb" spacing guidelines are designed to achieve 1 foot-candle average and 0.1 foot-candle minimum with a 40:1 maximum/minimum ratio. The corridor used is 100 feet long, 9 foot ceiling with a 6 foot wide walkway and 3 foot path of egress. The reflectances are 80% ceiling, 50% walls and 20% floors. The fixture mounting height is 7.5 feet. Cooper Lighting Solutions assumes no responsibility for local requirements or specific project variables. This is a guideline to be used as a design aid, not as guarantee of any code compliance.