

## DESCRIPTION

The ECHX Series Surface and recessed mount Edge-lit Exits, provide an attractive yet easy to install universal edge-lit exit sign. The crystal clear wedge shape lens panel with white background standard provides excellent light distribution, exit visibility and easy installation. Long life, energy efficient LED lamps reduce energy costs and eliminate routine lamp maintenance. Durable extruded aluminum construction, attractive styling and high efficiency illumination make this series compatible in commercial, institutional and multi-housing applications.

Catalog #		Type
Project		
Comments		Date
Prepared by		

## SPECIFICATION FEATURES

### Electrical

- Dual Voltage Input 120/277 VAC, 60Hz
- Line-latching
- Solid-state Voltage Limited Charger
- Solid-state Switching
- Brownout Circuit
- Test Switch / Power Indicator Light

### Lens

- Injection molded, UV stabilized high impact, silk screened acrylic panels
- Bright red exit letter colors
- Panels customized with full stroke arrows for selected directional indicators
- White insert background included with single or double face exit panels
- Edge reflector for optimized efficiency and visibility

### Battery

- Sealed Nickel Cadmium.
- Maintenance-Free, Long-Life
- Full Recharge Time, 24 hrs. (Max.)

### Housing Construction

- Anodized extruded aluminum housing
- Designer white textured finish available
- Components are of snap-fit construction to facilitate easy installation
- All components including battery and electronics are located inside the exit housing (surface) or the back (recessed).
- Die cast aluminum canopy with mounting screws included with all surface exits
- Surface mount exit can be universally mounted, ceiling, wall, or end, with Tri-Mount™ System

- Universal J-box mounting plate on surface mount exit
- Recessed Mount Unit can be installed in dry wall or drop thru ceilings

### Code Compliance

- UL 924 Listed
- Life Safety NFPA 101
- NEC/OSHA
- Most State and Local Codes
- City of Chicago fire code
- Chicago Plenum Approved

### Warranty

- Exit: 5-Year
- Battery: 7 year pro-rated (Nickel Cadmium)

### Lamp Data

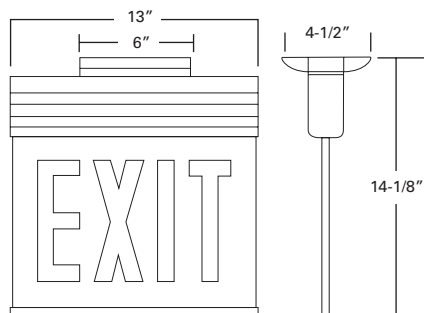
- AC LED: Long life LED lamps provide uniform diffused illumination
- DC: LED DC lamps



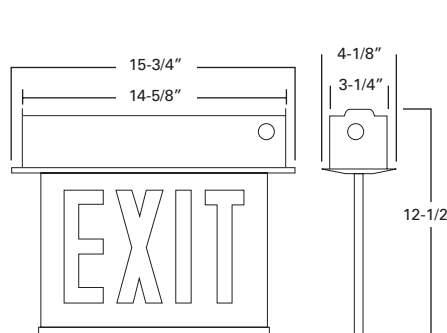
## ECHX Series

EDGE-LIT EXITS  
 SELF POWERED  
 EMERGENCY  
 LED LAMPS  
 CHICAGO EXIT LIGHTING

Surface Mount



Recessed Mount



## ORDERING INFORMATION

RECESSED HOUSING - SAMPLE NUMBER: ECHX7RH (order 1 housing and 1 trim)

Series	Battery	Mounting / Trim Options
ECHX=Chicago Edge-Lit Exit	6=AC only 7=Self-powered	RH=Recessed

RECESSED TRIM - SAMPLE NUMBER: ECHX1RTAR

Series	Face Options	Mounting Option	Arrow Options	Trim Finish	Stair Option
ECHX=Chicago Edge-Lit Exit	1=Single 2=Double	RT=Recessed	[Blank]=No Arrow AR=Arrow Right (Single Face only) AL=Arrow Left (Single Face only) DA=Double Arrow ARL=Arrow Right/Left (Double Face only)	[Blank]=Brushed Aluminum WH=White	[Blank]=Exit Sign -Stair=Stair Sign (include dash)

TOTALLY PREDICTABLE  
**RELIABILITY**

### ENERGY DATA

Maximum power consumption under all charge conditions:

### LED Exits - Red

Input Power:  
 120V = 4.5W  
 277V = 4.9W  
 Input Current (Max.):  
 120V = 0.04A  
 277V = 0.02A

**ORDERING INFORMATION**

SURFACE HOUSING - SAMPLE NUMBER: ECHX7SHA(order 1 housing and 1 trim)

Series	Battery	Mounting / Trim Options
ECHX=Chicago Edge-Lit Exit	6=AC only 7=Self-powered	SHA=Surface, Brushed Aluminum SHWH=Surface, White

SURFACE TRIM - SAMPLE NUMBER: ECHX1STAR

Series	Face Options	Mounting Option	Arrow Options	Stair Option
ECHX=Chicago Edge-Lit Exit	1=Single 2=Double	ST=Surface	[Blank]=No Arrow AR=Arrow Right (Single Face only) AL=Arrow Left (Single Face only) DA=Double Arrow ARL=Arrow Right/Left (Double Face only)	[Blank]=Exit Sign -Stair=Stair Sign (include dash)

**TECHNICAL DATA****Lamps**

The ECHX Series Exits use energy efficient, long-life LEDs to provide uniform diffuse illumination of the exit face. These white LEDs require no maintenance. The low operating costs and zero maintenance requirement makes LED lamps the wisest choice for exit signs today. Emergency illumination is provided by LED lamps.

**Housing Construction**

Rugged, durable, anodized extruded aluminum materials are used in the ECHX Series Exits. All structural components are designed with reinforcing ribs to add additional rigidity and to maximize structural integrity. These materials are impact and scratch-resistant. All components are designed to be of snap-fit construction to facilitate easy installation. ECHX Series surface mount exits can be wall-, ceiling- or end-mounted. A Die-Cast Aluminum mounting canopy with installation screws is included. Recessed mount exits can be installed in drywall or drop-thru ceilings.

**Lens**

Trim panels for the ECHX Series Edgelit Exits are injection-molded from impact-resistant clear acrylic. Silk screened red letters, with white background insert is standard with all panels. Panels are customized with full stroke arrows for selected directional indicators. The edge reflector further enhances visibility.

**Line-Latched (Self-Powered Only)**

Sure-Lites' line-latched electronic circuitry makes installation easy and economical. A labor efficient AC activated load switch prevents the lamps from turning on during installation to a non-energized AC circuit. Line-latching eliminates the need for a contractor's return to a job site to connect the batteries when the building's main power is turned on.

**Solid-State Charger (Self-Powered Only)**

Supplied with a 120/277 VAC, voltage regulated solid-state charger, the battery is recharged immediately upon restoration of AC current after a power failure. The charge circuit reacts to the condition of the battery in order to maintain peak battery capacity and maximize battery life. Solid-state construction recharges the battery following a power failure in accordance with UL 924.

**Brownout Circuit (Self-Powered Only)**

The brownout circuit on Sure-Lites' exits monitors the flow of AC current to the exit and activates the emergency lighting system when a predetermined reduction of AC power occurs. This dip in voltage will cause most ballasted fixtures to extinguish causing loss of normal lighting even though a total power failure has not occurred.

**Solid-State Transfer (Self-Powered Only)**

The ECHX Series Exit incorporates solid-state switching which eliminates corroded and pitted contacts or mechanical failures associated with relays. The switching circuit is designed to detect a loss of AC voltage and automatically energizes the lamps using DC power. Upon restoration of AC power, the DC power will be disconnected and the charger will automatically recharge the battery.

**Test Switch/Power Indicator Light (Self-Powered Only)**

A test switch located on the side of the exit (surface) or on the trim plate (recessed)

permits the activation of the emergency circuit for a complete operational systems check. The Power Indicator Light provides visual assurance that the AC power is on.

**Sealed Nickel Cadmium Battery (Self-Powered Only)**

Sure-Lites sealed nickel cadmium batteries are maintenance-free with a life expectancy of 10 years. The sealed rechargeable nickel cadmium battery offers high discharge rates and stable performance over a wide range of temperatures. The specially designed resealable vent automatically controls cell pressure, assuring safety and reliability. This battery is best suited for harsh ambient temperatures because the electrolyte is not active in the electrochemical process.

**Warranty**

All Sure-Lites' products are backed by a firm five-year warranty against defects in material and workmanship. Maintenance-free, long-life, sealed nickel cadmium batteries carry a seven-year pro-rated warranty.