

# COOPER LIGHTING SOLUTIONS - SURE-LITES®

<b>Catalog #</b>		<b>Type</b>
<b>Project</b>		
<b>Comments</b>		<b>Date</b>
<b>Prepared by</b>		

## SPECIFICATION FEATURES

### Construction

- Protects fixtures from tampering, vandalism, and accidental damage
- Made of durable, high-impact, UV resistant clear polycarbonate material
- Integral mounting holes (6 on VS1, 8 on VS2) facilitates installation (mounting hardware provided by others)
- Angled top surface to improve moisture runoff

- Angled front surface to minimize glare from ambient lighting
- Self-adhesive closed-cell neoprene gaskets provided with WP weather resistant versions
- WP weather resistant versions are provided with gasketed breather vent

### Code Compliance

- UL 924 Rain Test (SD4.6)
- UL 924 Water Shield Impact Test (SD4.10)

### Warranty

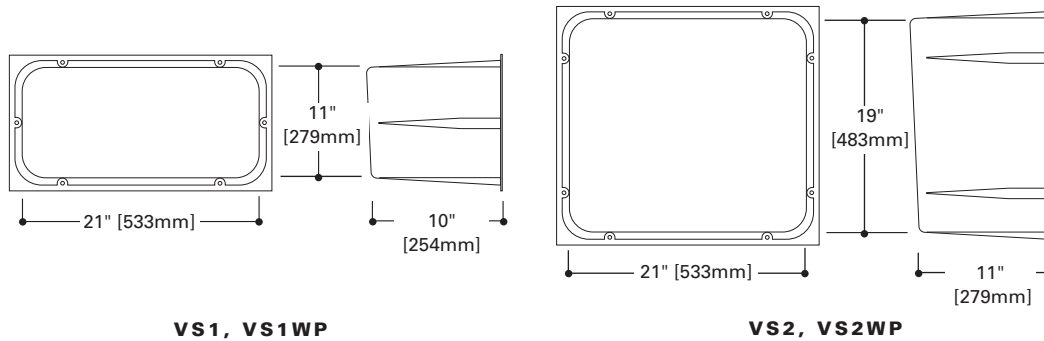
- 1-year



## POLYCARBONATE VANDAL SHIELD WEATHER SHIELD

FIELD INSTALLED  
ACCESSORIES

EMERGENCY & EXIT  
LIGHTING



VS1, VS1WP

VS2, VS2WP

## ORDERING INFORMATION

Catalog Number	Length	Height	Depth	For use with
VS1	21" (533mm)	11" (279mm)	10" (254mm)	AA, CAX, CC, CCX (AC only or Self-Powered), CHX (AC only), CU, LM, P4C, PLX (AC only), R/G/CX/OF, CX, LPX (without heads), ST Series; Remote Heads, EAX (AC only)
VS1WP	21" (533mm)	11" (279mm)	10" (254mm)	AA, CAX, CC, CCX (AC only or Self-Powered), CHX (AC only), CU, LM, P4C, PLX (AC only), R/G/CX/OF, CX, LPX (without heads), ST Series; Remote Heads
VS2	21" (533mm)	19" (483mm)	11" (279mm)	CCX (with Heads), CHX (Self-Powered), EAX (Self-Powered), EP/EPH/UN/UNH (Self-Powered or with Heads), HR, NCB (except NCB12225), PLX (Self-Powered or with Heads), LPX (with heads), UMB, XR Series, CC7, CC8
VS2WP	21" (533mm)	19" (483mm)	11" (279mm)	CCX (with Heads), CHX (Self-Powered), EP/EPH/UN/UNH (Self-Powered or with Heads), HR, NCB (except NCB12225), PLX (Self-Powered or with Heads), LPX (with heads), UMB, XR Series, CC7, CC8

TOTALLY PREDICTABLE  
**RELIABILITY**