

DESCRIPTION

The OVV Low-Profile Drop Prismatic roadway luminaire is ideal for roadways, parking areas, residential neighborhoods and bridge structures. Suitable for 3G vibration conditions. Up to 65% less glare than typical drop lens refractor.

Catalog #		Type
Project		
Comments		Date
Prepared by		

SPECIFICATION FEATURES

Construction

HOUSING: Die-cast aluminum housing with stainless steel bail latch. 3G vibration rated. **DOOR:** Die-cast aluminum door frame with integral hinges for hands-free installation, relamping and maintenance. ANSI wattage/source label.

Optical

LENS: Removable borosilicate glass refractor for use with High Pressure Sodium lamp source. Low profile glass provides 65% less glare than typical drop lens reflectors. **REFLECTOR:** The optical system is a hydroformed anodized aluminum reflector with a Dacron polyester filter.

Electrical

SOCKET: Adjustable mogul-base porcelain socket. **BALLAST ASSEMBLY:** Hard mounted ballast with encapsulated starter for protection from environmental abuse. Standard two position tunnel type compression terminal block. Optional swing-down ballast bridge also available (Not available for 3G applications). **PHOTOCONTROL:** Optional NEMA twistlock photocontrol receptacle also available.

Mounting

Two-bolt/one bracket slipfitter with cast-in pipe stop and leveling steps. Fixed-in-place birdguard seals around 1-1/4" or 2" mounting arms (Birdguard not needed for 2" arm).

Finish

Standard grey polyester powder coat finish. Optional bronze, black and white finishes available.



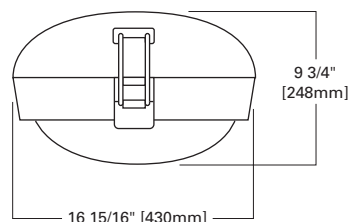
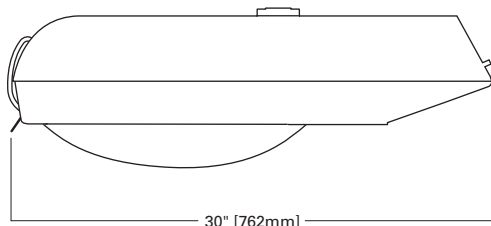
OVV LOW-PROFILE DROP PRISMATIC

150 - 400W

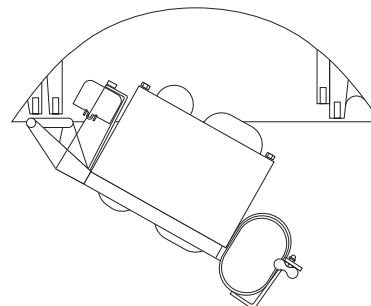
High Pressure Sodium

ROADWAY LUMINAIRE

DIMENSIONS

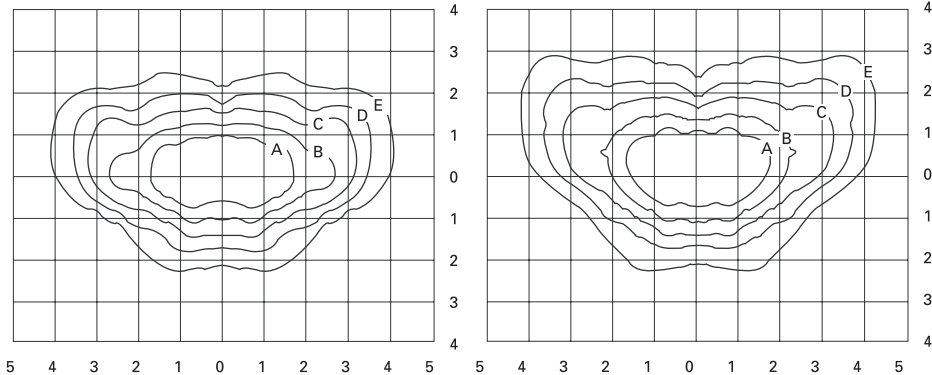


SWING-DOWN BALLAST MODULE



EPA
Effective Projected Area:
.51 Square Feet

SHIPPING DATA
Approximate Net Weight:
33 lbs. (15 kgs.)



OVY40Sww2D
400—Watt HPS
50,000—Lumen Clear Lamp
Type II-Medium Cutoff

OVY40Sww3E
400—Watt HPS
50,000—Lumen Clear Lamp
Type III-Medium Semi-Cutoff

Footcandle Table

Select mounting height and read across for footcandle values of each isofootcandle line. Distance in units of mounting height.

Mounting Height	Footcandle Values for Isofootcandle Lines				
	A	B	C	D	E
OVY40Sww2D / Ovy40Sww3E					
25'	3.80	1.90	0.95	0.38	0.19
30'	2.80	1.40	0.70	0.28	0.14
35'	2.00	1.00	0.50	0.20	0.10
40'	1.54	0.77	0.39	0.15	0.08

PHOTOMETRIC DISTRIBUTION (CURVE NUMBER)

Wattage	Light Source ¹	Lens Type	III MSCO	IV MSCO	II MCO	III MCO
150	HPS	Low Profile Glass	N/A	N/A	OVY15S2D (150W)	OVY15S3D (150W)
200-400	HPS	Low Profile Glass	OVY40S3E (400W)	OVY40S4E (400W)	OVY40S2D (400W)	N/A

NOTE: 1 All light sources are clear unless noted otherwise.

ORDERING INFORMATION

Sample Number: Ovy15Sww2D4

Product Family ¹	Lamp Wattage	Lamp Type	Ballast Type	Voltage	Distribution ³	Optical Package
OVY=Low-Profile Drop Prismatic	High Pressure Sodium 15=150W ² 20=200W 25=250W 40=400W 24=250/400W wired 250W 42=400/250W wired 400W	S=High Pressure Sodium	C=CWI H=Reac./HPF K=10KV CWA N=Hi.Reac./NPF P=Hi. Reac./HPF R=Reac./NPF W=CWA M=Mag. Reg.	2=120V 0=208V 4=240V 7=277V 8=480V 9=347V F=120/240V, wired 120V W=Multi-Tap, wired 120V P=240V with PCR, wired 120V V=Multi-Tap, wired 240V N=Multi-Tap, wired 277V	2=Type II 3=Type III 4=Type IV	D=MCO E=MSCO J=LNCO
Options (Add as Suffix)				Accessories (Order Separately)		
1=Single Fuse (120, 277 or 347V) 2=Double Fuse (208, 240 or 480V) 4=NEMA Photocontrol Receptacle WH=White BK=Black BZ=Bronze A=Raw Aluminum Unfinished				OA/RA1016=NEMA Photocontrol - Multi-Tap OA/RA1027=NEMA Photocontrol - 480V OA/RA1014=NEMA Photocontrol - 120V RA1003=Cutoff Visor OA1215=TufGuard Vandal Shield OA/RA1013=Photocontrol Shorting Cap		
E=150/100V HPS Ballast L=Lamp Included H=Plug-in Starter Receptacle K=Level Indicator M=MOV Lightning Surge Protectors ⁴ T=Swing-down Ballast Bridge U=U.L./CSA Listed 3=Three Position Terminal Block						

NOTES:

- Customer is responsible for engineering analysis to confirm pole and fixture compatibility for all applications. Refer to our white paper WP513001EN for additional support information.
- 150W Units are for S55 Lamps.
- Other distributions and cutoffs available. Consult your lighting representative at Cooper Lighting Solutions for more information.
- MOV option not available for any system requiring a three position terminal block (example - 240V with PCR wired 120V). In order for MOV option to function center terminal of three position terminal block must be connected to "Earth" ground.