

## DESCRIPTION

The Lexington outdoor luminaire displays the old-fashioned charm of traditional lantern-type post top lighting, enhancing any setting with distinctive styling. As a decorative luminaire, the Lexington tastefully complements the architectural and environmental design of parks and roadways.

<b>Catalog #</b>		<b>Type</b>
<b>Project</b>		
<b>Comments</b>		<b>Date</b>
<b>Prepared by</b>		

## SPECIFICATION FEATURES

### Construction

**TOP:** Hinged die-cast aluminum top with cupola cover. **SCREWS:** Captive retaining screw. **HOUSING:** Die-cast aluminum base housing. Standard color is black. Other finish colors available. Consult your Streetworks representative. 1" ANSI wattage/source label.

### Optics

**REFRACTOR:** Injection molded acrylic refractor panels.

### Electrical

**SOCKET:** Vertical: Base up standard on Type II, III and V. Horizontal: Available with Type II and III

horizontal reflector. Mogul-base porcelain socket is field adjustable on horizontal only. 50-150W Pulse Start Metal Halide is medium-base socket standard. **STARTER:** Plug-in starter. **TERMINAL BLOCK:** Terminal block standard.

### Mounting

Self-aligning pole-top fitter fits 2-3/8" and 3" O.D. tenons. Square headed 1-1/4" polymer coated mounting bolts.

### Finish

Cast components finished in a Super durable black TGIC polyester powder coat paint, 2.5 mil nominal

thickness for superior protection against fade and wear. Optional colors include: bronze, grey and white. RAL and custom color matches available.

### Efficiency Standards Notice

Select luminaires are manufactured to USA and California efficiency regulations.



## LXF/LXT LEXINGTON

50 - 150W

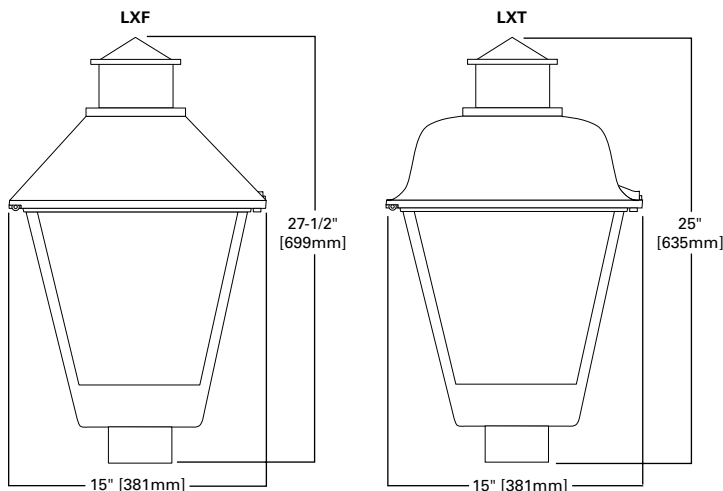
Pulse Start Metal Halide

50 - 150W

High Pressure Sodium

DECORATIVE POST TOP  
LUMINAIRE

## DIMENSIONS



### EPA

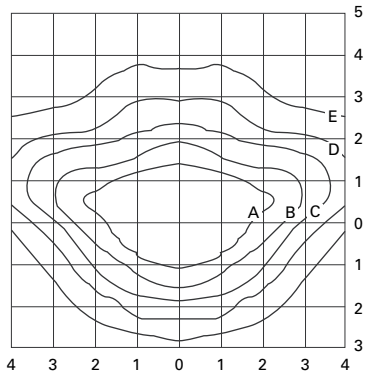
Effective Projected Area: (Sq. Ft.) 1.7

### SHIPPING DATA

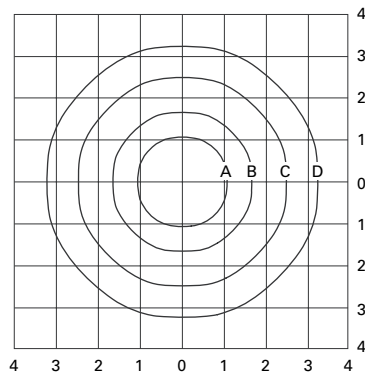
Approximate Net Wt:  
25 lbs. (11 kgs.)



PHOTOMETRICS (COMPLETE IES FILES AVAILABLE AT WWW.COOPERLIGHTING.COM)



**150-Watt HPS**  
16,000-Lumen Lamp  
Type III Semi Cutoff



**100-Watt HPS**  
9,500-Lumen Lamp  
Type V

**Footcandle Table**

Select mounting height and read across for footcandle values of each isofootcandle line. Distance in units of mounting height.

Mounting Height	Footcandle Values for Isofootcandle Lines				
	A	B	C	D	E
<b>150-Watt HPS (Type III)</b>					
10'	2.88	1.44	0.72	0.36	0.28
12'	<b>2.00</b>	<b>1.00</b>	<b>0.50</b>	<b>0.25</b>	<b>0.10</b>
14'	1.50	0.75	0.37	0.18	0.07
<b>100-Watt HPS (Type V)</b>					
10'	1.44	0.72	0.36	0.28	
12'	<b>1.00</b>	<b>0.50</b>	<b>0.25</b>	<b>0.10</b>	
14'	.75	0.37	0.18	0.07	

**ORDERING INFORMATION**

Sample Number: LXF70SR2554

Product Family	Lamp Wattage	Lamp Type <sup>2</sup>	Ballast Type <sup>2,3</sup>	Voltage <sup>2</sup>	Distribution
LXF=Lexington LXT=Lexington w/Traditional Top	<b>Pulse Start Metal Halide <sup>1</sup></b> 70=70W 10=100W 15=150W  <b>High Pressure Sodium</b> 50=50W 70=70W 10=100W 15=150W	P=Pulse Start Metal Halide S=High Pressure Sodium	H=Reac./HPF N=Hi. Reac./NPF P=Hi. Reac./HPF <sup>4</sup> R=Reac./NPF W=CWA	2=120V 0=208V 4=240V 7=277V 8=480V <sup>5</sup> 9=347V W=Multi-Tap wired 120V P=240V w/PCR wired 120V V=Multi-Tap wired 240V N=Multi-Tap wired 277V	<b>Vertical Lamp</b> 22=Type II 33=Type III <sup>6</sup> 55=Type V  <b>Horizontal Lamp</b> 2H=Type II 3H=Type III <sup>6</sup> 4H=Type IV

**Options (Add as Suffix)**

- 1=Single Fuse (120, 277 or 347V)
- 2=Double Fuse (208, 240 or 480V)
- 4=NEMA Photocontrol Receptacle
- P=Polycarbonate Lens Panels
- N=NEMA Ballast Bracket
- S=Snap Latches for Tool-less Lamp Replacement
- J=Factory Installed Ladder Rest
- U=UL / CSA Listed
- AP=Grey
- BK=Black
- BZ=Bronze
- WH=White

**NOTES:**

1. Medium-base pulse start metal halide is standard in 150W and below.
2. Consult an Cooper Lighting Solutions representative for lamp/ballast type/voltage compatibility.
3. Consult an Cooper Lighting Solutions representative for availability of EISA compliant linear reactor pulse start metal halide ballasts
4. Pulse start metal halide EISA compliant high reactance ballasts are available in 70, 100 and 150 watts.
5. Pulse start metal halide 150W 480V requires high reactance to meet EISA requirements.
6. Requires use of coated lamp to achieve Type III distribution.