

Streetworks

ACN/ARC/CLB Generation Series LED

Features and Benefits

Performance and Aesthetic Value.

From traditional to contemporary applications, the [Generation Series LED](#) post top luminaire provides the flexibility of form needed to complement a wide range of surroundings. A wide selection of base, cage, top, lens and finial styles allows for hundreds of design combinations.

LEDs open the door for meaningful reductions in energy consumption, improving the bottom line while providing real environmental benefits. The Generation Series LED luminaire provides warm, white light with dimming technology that allows for precise management of energy usage and illumination, while its long maintenance intervals deliver real operating cost savings and return on investment.

The Generation Series LED luminaire boasts leading edge technology and world-class reliability along with user-friendly features like tool-less entry and quick electrical disconnects. Backed by rigorous engineering and manufacturing standards, the Generation Series LED luminaire integrates the latest technology in a familiar form with no compromises.

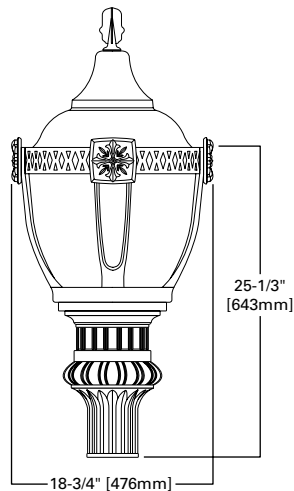
PRODUCT FEATURES

- Flexibility of form
- Superior photometrics
- Tool-less entry and quick electrical disconnects

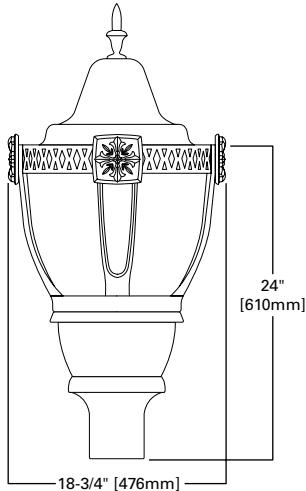
PRODUCT BENEFITS

- Complements a wide range of surroundings
- Excellent illumination and uniformity for many applications
- User-friendly features with world-class reliability

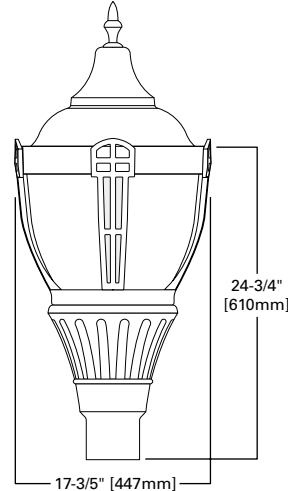
ACN (Acorn Base)



ARC (Architectural Base)



CLB (Classical Base)



QUICK FACTS

- Lumen packages ranging from 8,700 - 17,500 lumens
- 3G Vibration Rated
- Dimensions: 18-3/4" (W), 24" (H)
- EPA (Sq. Ft.): 2.1
- Weight: 50 lbs. (23 kgs.)
- Five-year warranty available



Cooper Lighting Solutions
 1121 Highway 74 South
 Peachtree City, GA 30269
 P: 770-486-4800
www.cooperlighting.com

Canada Sales
 5925 McLaughlin Road
 Mississauga, Ontario L5R 1B8
 P: 905-501-3000
 F: 905-501-3172

© 2020 Cooper Lighting Solutions
 All Rights Reserved
 Printed in USA
 Publication No. SA506121EN
 June 25, 2020 10:17 AM

Cooper Lighting Solutions is a registered trademark.

All other trademarks are property of their respective owners.

Product availability, specifications, and compliances are subject to change without notice.