

DESCRIPTION

The ARC Generation Series Avenue LED provides an updated styling and smooth exterior appearance, making it the perfect choice to add a contemporary feel to any setting. Its superior photometrics offer excellent illumination and uniformity for many of today's applications. Its styling blends well in many settings – historic districts, downtown streetscapes, roadways, residential neighborhoods, as well as city parks and educational campuses. The Generation Series LED sets a new standard for decorative post top luminaires.

Catalog #		Type
Project		
Comments		Date
Prepared by		

SPECIFICATION FEATURES

Construction

HOUSING: Heavy-duty cast aluminum housing and removable door. A single quarter turn fastener on the removable door provides tool-less access to wiring compartment. **CAGE ASSEMBLY** Cage assembly manufactured of heavy-duty cast aluminum and mounted to the exterior of the base housing via four stainless steel fasteners. Finished to match housing. **TOPS AND FINIALS:** Avenue top is heavy-duty spun aluminum offering top access for tool-less entrance into the source compartment during maintenance. Choose from four cast aluminum finials for customized fixture style. **TWISTLOCK GLOBE:** The optional twistlock assembly offers ease of maintenance through instant access to both the LED and wiring compartment by twisting the top refractor assembly and lifting it from the mating lock plate

Optical

REFRACTIVE GLOBE: High efficiency refractive optical systems are precisely designed utilizing a combination of refractive and reflective prisms. Available in Type III or Type V distributions. Lighting grade acrylic ensures long lasting optical clarity and resistance to discoloration.

Electrical

120-277V 50/60Hz operation. 10kV /10kA common- and differential mode surge protection standard. Thermal management transfers heat rapidly away from the LED source for optimal efficiency and light output. Ambient operating temperature from -40°C to 40°C. Standard three-position tunnel type compression terminal block.

Mounting

Base casting slipfits over a standard 3" O.D. tenon and secured via four stainless steel allen head fasteners. 3G vibration tested.

Finish

Cast and spun components finished in a five-stage premium TGIC polyester powder coat paint, 2.5 mil nominal thickness for superior protection against fade and wear. Consult your Streetworks representative for a complete selection of standard colors including black, bronze, grey, white, dark platinum, graphite metallic and hartford green. RAL and custom color matches available.

Warranty

Five-year warranty.

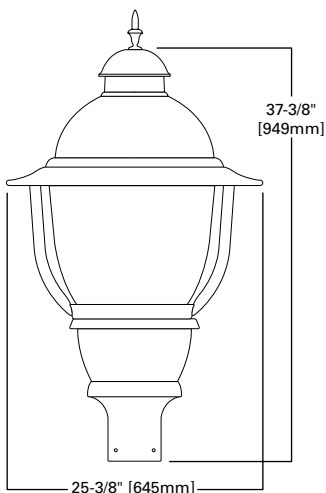


ARC GENERATION SERIES AVENUE LED

LED

DECORATIVE POST TOP
LUMINAIRE

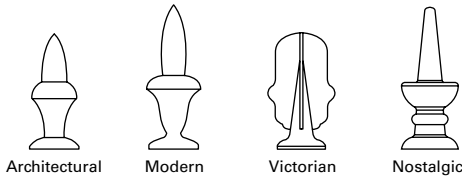
DIMENSIONS



EPA
Effective Projected Area:
2.1 Square Feet

SHIPPING DATA
Approximate Net Wt:
50 lbs. (23 kgs.)

FINIALS



POWER AND LUMENS

Distribution	Correlated Color Temperature (CCT)	Cage	Total Lumens (Estimated)	Luminaire Wattage (Nominal)
Type III	4000K	Avenue	5,200	99W
Type III	4000K	None	8,000	99W
Type V	4000K	Avenue	5,500	99W
Type V	4000K	None	8,500	99W

LUMEN MAINTENANCE

Ambient Temperature	TM-21 Lumen Maintenance (36,000 Hours)	Theoretical L70 (Hours)
15°C	>93%	240,000
25°C>	92%	210,000
40°C>	89%	117,000

ORDERING INFORMATION

Sample Number: ARC-080-LED-E-U-33-6-5-3-BK

Product Family ¹	LED Series	Driver / Lumen Package	Voltage	Refractor Type	Cage Type ⁴	Top Type	Finial Type	Color
ARC=Architectural Base	080-LED=080 Series	E=Non-Dimming ² D=Dimming ² E50=Non-Dimming / 50% Lumen Output ³ D50=Dimming / 50% Lumen Output ³	U=Universal (120-277V)	33=Type III 55=Type V	6=Avenue X=None	5=Avenue (Top Access)	1=Victorian 2=Modern 3=Architectural 4=Nostalgic X=None	AP=Grey BZ=Bronze BK=Black DP=Dark Platinum GN=Hartford Green GM=Graphite Metallic WH=White
Options (Add as Suffix)				Accessories (Order Separately)				
2L=Two Circuits ⁵ SH=Street Side / House Side Switching ⁵ A=Twistlock Globe 4=Internal NEMA Photocontrol Receptacle U=UL/CSA Listed P=Polycarbonate Refractor GHSS=Generation House Side Shield ⁶ 7030=70 CRI / 3000K ⁷				OA1222=10kV Surge Module GLK080EU=Generations LED Retrofit Light Engine Kit GLK080EU2L=Generations LED Retrofit Light Engine Kit wired for Two Circuit Dimming GLK080EUSH=Generations LED Retrofit Light Engine Kit wired for Street Side / House Side Dimming GL/GHSS=Field Installed Generation House Side Shield ⁶				

NOTES:

- Customer is responsible for engineering analysis to confirm pole and fixture compatibility for all applications. Refer to our white paper WP513001EN for additional support information.
- Six LEDs.
- Three LEDs. Approximately 50% output and energy usage. Consult IES files on the ARC product page for actual lumen and wattage values.
- Cage type painted to match base.
- Not available with E50 or D50 options.
- Maximum ambient temperature 25°C.
- Extended lead times apply. Use dedicated IES files for 3000K.