

Shaper

DESCRIPTION

The Shaper 1800 is a series of large decorative pendants designed for use in architectural, hospitality, and commercial space applications. The Shaper 1800 series uses performance optics providing high lumen outputs with low surface brightness. Available in four light levels, four color temperatures, 80 or 90+ CRI, and two optic distributions. Ten standard RAL paint finishes are available and can be selected for the shade or trim, as well as two metal finishes. Mounting options include field cuttable air craft cable with power cords, or rigid stem options. The Shaper 1800 decorative pendant is a fun comprehensive solution where aesthetics and performance are well balanced.

Catalog #		Type
Project		
Comments		Date
Prepared by		

SPECIFICATION FEATURES

Construction

The decorative shroud and trim, covers electronic components and driver. Aluminum shroud is made of 0.63" thick aluminum grade 1100-0. The copper shade and trim is made of a C11000 060 copper alloy. The stem and canopy are 6061 grade aluminum.

Weights:

1800 Air Craft Cable Pendant (total pendant weight)		
	RLM	DOME
Pendant + 120" of AC cable + canopy =	27 lbs	26 lbs

1800 Rigid Stem Pendant (total pendant weight)		
Brushed Aluminum and Painted Finish	RLM	DOME
Pendant + 36" rigid stem + canopy =	25 lbs	24 lbs
Pendant + 48" rigid stem + canopy =	25 lbs	25 lbs
Pendant + 96" rigid stem + canopy =	28 lbs	27 lbs

Copper Spun Finish		
	RLM	DOME
Pendant + 36" rigid stem + canopy =	29 lbs	28 lbs
Pendant + 48" rigid stem + canopy =	30 lbs	28 lbs
Pendant + 96" rigid stem + canopy =	32 lbs	31 lbs

Electrical

Standard 0-10V driver is located in fixture head. Voltages offered are 120-277V / 50-60Hz, or 347V (is achieved using a step down transformer). Fixture is suitable for ambient temperature of 25°C (77°F).

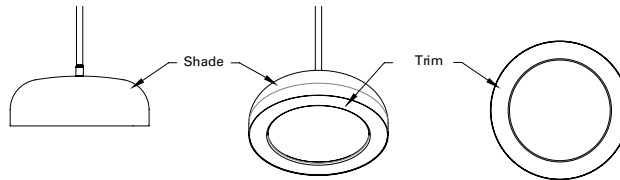
LED Optics

Wavestream™ technology enables patented AccuAim™ optics for an enhanced distribution pattern. Available in 2700K, 3000K, 3500K, and 4000K color temperatures 80 or 90+ CRI. Lumen outputs range from 2900 to over 7600 lumens dependent on color temperature.

Mounting

Mounting options include air craft cable or set rigid stem lengths. Air craft cable is 120" and field cuttable to desired lengths. Rigid pendant stem standard lengths are 36", 48", 96". The canopy mounting plate and cover, mounts to a standard 4-gang junction box. The rigid stem has a 40° swivel.

Pendant Shade and Trim



Finish

Ten mix and match paint colors are available to choose from for the shade and the trim. They are standard RAL colors in a high gloss sheen. In addition, two metal finishes are also available in natural brushed aluminum or brushed copper, which are spun metal and have a protective clear coat.

Compliance

Components are UL recognized and luminaires are cULus listed for 25°C ambient environments. Damp Location Listed.

Environment

Suited for 25° ambient. Damp location only.

Driver

Standard offering is 0-10V with 10% dimming.

Life and Warranty

Standard five-year limited warranty on all parts.



1800

LED

Pendant
Direct

CERTIFICATION DATA
UL/cUL Damp Location Listed
LM79 / LM80 Compliant

ENERGY DATA
>0.9 Power Factor
<20% Total Harmonic Distortion
120V - 277V 50/60 Hz
25°C Ambient Temperature



For Adjustable Air Craft Cable Unit = Sample Catalog #: 1800-RLM-80-L40-3-M-UNV-STD-STT-TYE-AC-BM (two tone paint - shade and trim example)

For Rigid Stem Complete Unit = Sample Catalog #: 1800-DOME-90-L30-5-W-UNV-STD-SCG-TCG-RS-96-RLM-SL (uniform - shade and trim example)

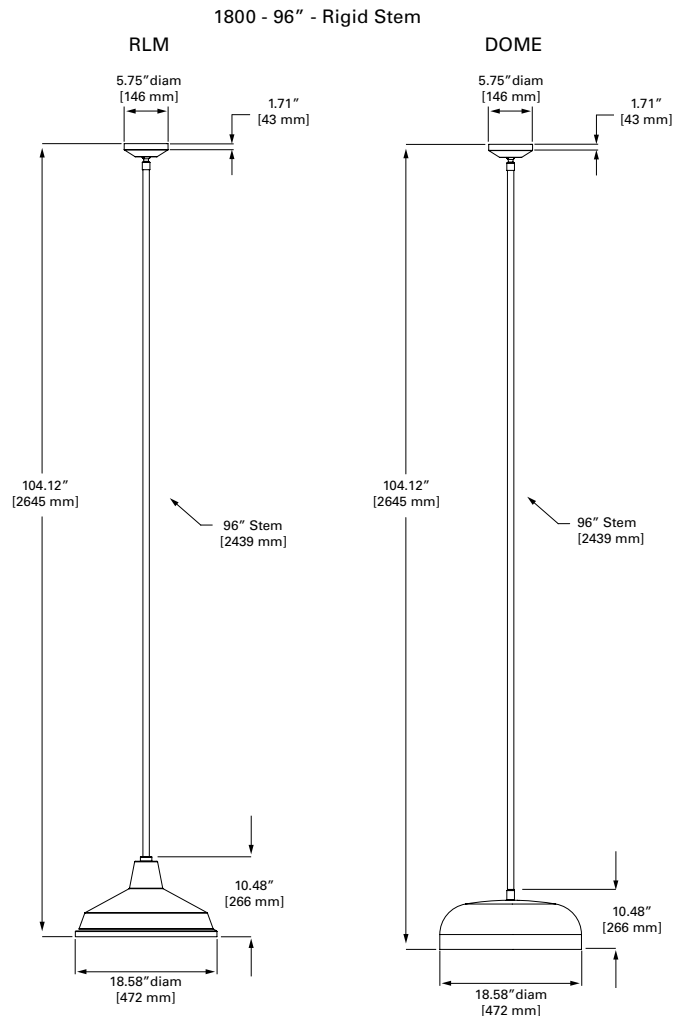
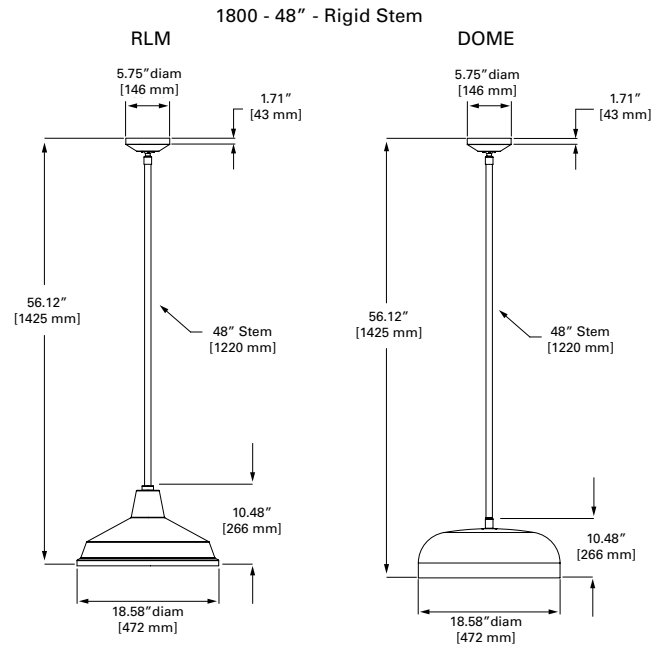
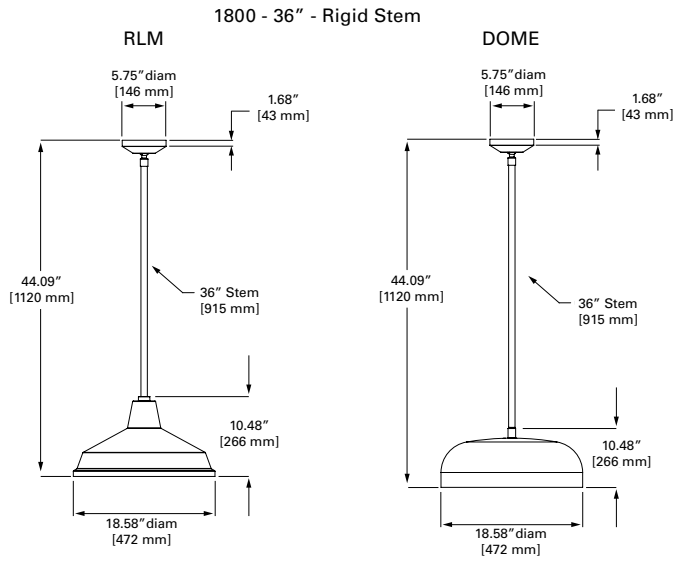
ORDERING INFORMATION:

Series	Type (Shape)	CRI	Color Temp	Light Level ¹ (ex. @80 CRI 3500K)	Distribution	Voltage ^{2,3}	Driver	Shade Paint Colors and Finishes	Trim Paint Colors and Finishes
1800	RLM DOME	80 = 80 CRI 90 = 90 CRI	L27 = 2700K L30 = 3000K L35 = 3500K L40 = 4000K	1 = 4611 lumens, 42 watts 2 = 5638 lumens, 53 watts 3 = 6758 lumens, 71 watts 4 = 7676 lumens, 83 watts	M = Medium W = Wide	UNV = Universal Voltage (120 - 277V) 347 = 347V (see technical notes and consult factory)	STD = 0-10V 10% Dimming	SRR = Real Red SOC = Orange Crush SYE = Yellow? SAL = Avocado Lime SSS = Seafoam See STT = Totally Turquoise SCLSB = Cooper Lighting Solutions Blue SBM = Black Metal SWL = White Light SCG = Charcoal Gray SCS = Copper Spun SBA = Brushed Aluminum SCC = Custom Color	TRR = Real Red TOC = Orange Crush TYE = Yellow? TAL = Avocado Lime TSS = Seafoam See TTT = Totally Turquoise TCLSB = Cooper Lighting Solutions Blue TBM = Black Metal TWL = White Light TCG = Charcoal Gray TCS = Copper Spun TBA = Brushed Aluminum TCC = Custom Color

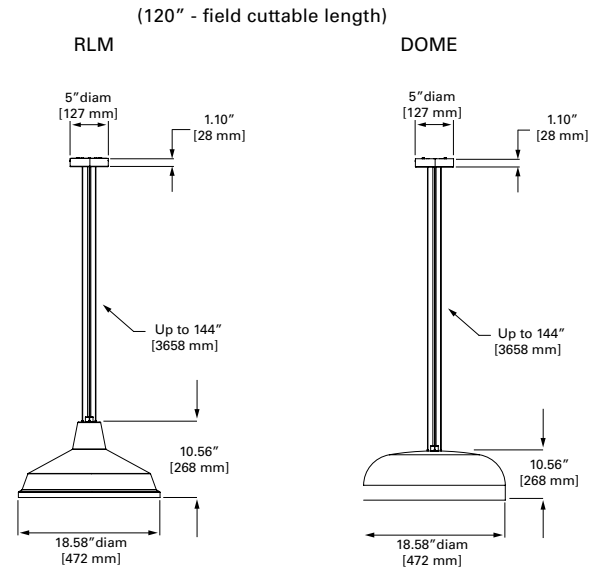
Mounting Options		Controls ² (Optional)
Air Craft Cable Options	Rigid Stem Options	KIT-LWTPD1 = LumaWatt Pro wireless tile mount sensor kit (0-10V) (consult factory on availability)
AC-WL = Aircraft cable with white power cord (120" field cuttable) AC-BM = Aircraft cable with black power cord (120" field cuttable)	RS-36-DOME = 36" Rigid Stem RS-48-DOME = 48" Rigid Stem RS-96-DOME = 96" Rigid Stem RS-CL-DOME = Custom Length RS-36-RLM = 36" Rigid Stem RS-48-RLM = 48" Rigid Stem RS-96-RLM = 96" Rigid Stem RS-CL-RLM = Custom Length WL = White stem BM = Black Stem BA = Brushed Aluminum Stem CC = Custom Color	

MOUNTING OPTIONS

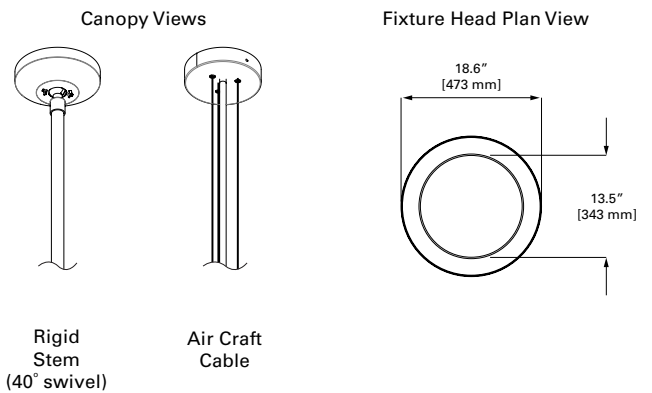
RIGID STEM



AIR CRAFT CABLE



VIEWS



FINISHES PAINTED AND METALS

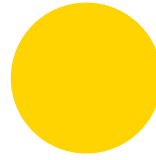
Painted finish is "High Gloss" sheen. A clear coat protectant is applied over the Copper Spun and Brushed Aluminum metal finishes. See ample case for exact colors and finishes.



RR
Real Red
RAL # 3020
Pantone 485
(Traffic Red)



OC
Orange Crush
RAL#: 2004
Pantone 1655
(Pure Orange)



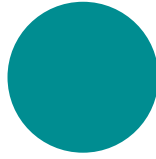
YE
Yello?
RAL#: 1018
Pantone 123
(Zinc Yellow)



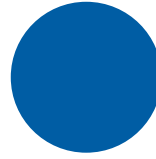
AL
Avocado Lime
RAL#: FGS860016
Pantone 15-0343
(GREENERY)



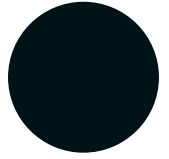
SS
Seafoam See
RAL#: 6027
Pantone 631
(Light Green)



TT
Total Turquoise
RAL#: 5018
Pantone 3145
(Turquoise Blue)



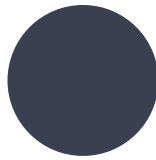
CLSB
Cooper Lighting
Solutions Blue
RAL#: 5017
Pantone 2945
(Traffic Blue)



BM
Black Metal
RAL#: 9005
Pantone Black
(Jet Black)



WL
White Light
RAL#: 9003
Pantone 705
(Signal White)



CG
Charcoal Gray
RAL#: 7024
Pantone 432
(Graphite Grey)



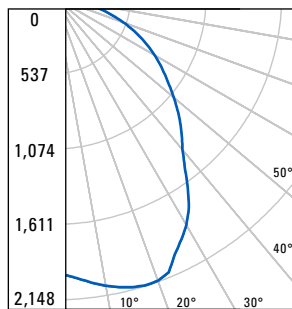
CS
Copper Spun
(Authentic Copper
Metal with clear coat)



BA
Brushed Aluminum
(with clear coat)

PHOTOMETRY

SHAPER 1800 LIGHT LEVEL 2 MEDIUM DISTRIBUTION, 3500K/80CRI	
Filename	1800-X-80-L35-2-M-UNV-STD-X-X.ies
Test No.	P241228
Lumcat	1800-X-80-L35-2-M-UNV-STD-X-X
Lumens	5638 Lm
Watts	53.9 W
LPW	104.6 Lm/W
CCT	3500K
SC (0/90/45)	1.34 / 1.34 / 1.33
Beam Angle	102.4°
CBCP	1967 cd



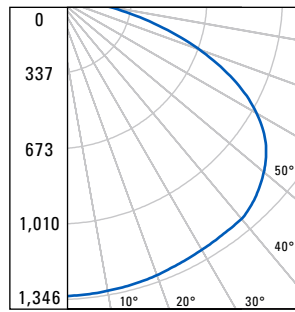
ZONAL LUMENS SUMMARY		
Zone	Lumens	% Fixture
0-30	1706	30.3
0-40	2700	47.9
0-60	4529	80.3
0-90	5638	100
90-180	0	0
0-180	5638	100

LUMINANCE DATA			
Angle	0°	45°	90°
45	17946	17206	17887
55	16745	15394	16709
65	16104	14402	16053
75	13916	12593	13970
85	10571	9208	10571

0° AIMING ANGLE HORIZONTAL ILLUMINANCE ON FLOOR			
MH	FC	L	W
8'	31.2	10.4	10.6
12'	13.9	15.8	15.8
15'	8.9	19.8	19.8
16'	7.8	21	21.2
18'	6.2	23.8	23.8
20'	5	26.4	26.4

PHOTOMETRY

SHAPER 1800 LIGHT LEVEL 2 WIDE DISTRIBUTION, 3500K/80CRI	
Filename	1800-X-80-L35-2-W-UNV-STD-X-X.ies
Test No.	P241165
Lumcat	1800-X-80-L35-2-W-UNV-STD-X-X
Lumens	5176 Lm
Watts	53.9 W
LPW	96 Lm/W
CCT	3500K
SC (0/90/45)	1.48 / 1.48 / 1.61
Beam Angle	139.8°
CBCP	1346 cd

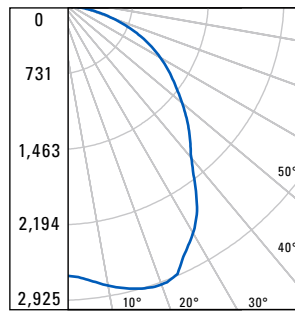


ZONAL LUMENS SUMMARY		
Zone	Lumens	% Fixture
0-30	1112	21.5
0-40	1920	37.1
0-60	3860	74.6
0-90	5176	100
90-180	0	0
0-180	5176	100

LUMINANCE DATA			
Angle	0°	45°	90°
45	17971	17347	18193
55	20042	18534	20234
65	20764	18010	20690
75	17316	14888	16892
85	7036	5776	6678

0° AIMING ANGLE HORIZONTAL ILLUMINANCE ON FLOOR			
MH	FC	L	W
8'	21	11.8	11.8
12'	9.3	17.6	17.6
15'	6	22.2	22
16'	5.3	23.6	23.6
18'	4.2	26.6	26.6
20'	3.4	29.6	29.4

SHAPER 1800 LIGHT LEVEL 4 MEDIUM DISTRIBUTION, 3500K/80CRI	
Filename	1800-X-80-L35-4-M-UNV-STD-X-X.ies
Test No.	P241244
Lumcat	1800-X-80-L35-4-M-UNV-STD-X-X
Lumens	7676 Lm
Watts	82.9 W
LPW	92.6 Lm/W
CCT	3500K
SC (0/90/45)	1.34 / 1.34 / 1.33
Beam Angle	102.4°
CBCP	2678 cd

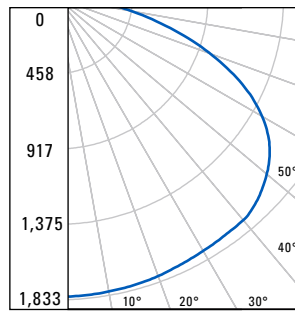


ZONAL LUMENS SUMMARY		
Zone	Lumens	% Fixture
0-30	2323	30.3
0-40	3676	47.9
0-60	6167	80.3
0-90	7676	100
90-180	0	0
0-180	7676	100

LUMINANCE DATA			
Angle	0°	45°	90°
45	24435	23427	24354
55	22800	20960	22749
65	21926	19611	21860
75	18946	17149	19020
85	14395	12535	14395

0° AIMING ANGLE HORIZONTAL ILLUMINANCE ON FLOOR			
MH	FC	L	W
8'	42.5	10.4	10.6
12'	18.9	15.8	15.8
15'	12.1	19.8	19.8
16'	10.6	21	21.2
18'	8.4	23.8	23.8
20'	6.8	26.4	26.4

SHAPER 1800 LIGHT LEVEL 4 WIDE DISTRIBUTION, 3500K/80CRI	
Filename	1800-X-80-L35-4-W-UNV-STD-X-X.ies
Test No.	P241181
Lumcat	1800-X-80-L35-4-W-UNV-STD-X-X
Lumens	7048 Lm
Watts	82.9 W
LPW	85 Lm/W
CCT	3500K
SC (0/90/45)	1.48 / 1.48 / 1.61
Beam Angle	139.8°
CBCP	1833 cd



ZONAL LUMENS SUMMARY		
Zone	Lumens	% Fixture
0-30	1514	21.5
0-40	2615	37.1
0-60	5255	74.6
0-90	7048	100
90-180	0	0
0-180	7048	100

LUMINANCE DATA			
Angle	0°	45°	90°
45	24468	23621	24771
55	27291	25237	27550
65	28273	24523	28171
75	23580	20269	23000
85	9577	7868	9092

0° AIMING ANGLE HORIZONTAL ILLUMINANCE ON FLOOR			
MH	FC	L	W
8'	28.6	11.8	11.8
12'	12.7	17.6	17.6
15'	8.1	22.2	22
16'	7.2	23.6	23.6
18'	5.7	26.6	26.6
20'	4.6	29.6	29.4

TECHNICAL NOTES:

1. Refer to specific Photometric files on the website for all available IES file options.
2. 347V not available with LumaWatt Pro sensor option. Consult factory.
3. 347V is achieved using a step down transformer. Consult factory.