

# Shaper

## DESCRIPTION

The Shaper 340 Farallon 6" LED recessed downlight designed for high performance downlighting with multiple decorative glass trim options. Featuring a two-stage diffused reflector system producing smooth distribution with excellent light control. Lumen packages range from 1000, 1500, 2000, 3000, 4000 lumen outputs, with 2400K, 2700K, 3000K, 3500K, 4000K, and 5000K. Available with dim-to-warm technology – similar to halogen at full power. The 3000K LED smoothly warms down to a dimmed 1850K, creating a rich warm glow within the space. Shaper offers a selection of high quality glass trims for an added aesthetic appeal for downlighting applications.

## SPECIFICATION FEATURES

### CONSTRUCTION

Painted and die cast aluminum/ spun aluminum lower reflector with a lensed upper optical chamber, provides superior lumen output with minimal source brightness. Spun reflectors are offered in Portfolio Alzak® Specular Clear. Available with a non-conductive polymer trim. Reflector is retained with two torsion springs holding the flange tight to the finished ceiling surface. Glass options are made of Borosilicate Glass, 0.2" thick [5mm] and available in clear, frosted, or sandblasted quadrate pattern. Bottom edges are ground and polished. The GCC/ GFF/ GCF inner fluted cylindrical Borosilicate glass is 0.1" thick [2.3mm]. Borosilicate Glass contains 5% or more of B2O3, is highly resistant to heat and shock with low coefficients of expansion, thus heat resistant.

### JUNCTION BOX

Listed for (8) #12 AWG (four in, four out) 90°C conductors and feed thru branch wiring. (4) 1/2" and (2) 3/4" trade size pry outs positioned to allow straight conduit runs.

### GLASS

Farallon Glass trims are a handcrafted, hand-polished and hand etched artisan

process. No trims will be exactly alike and slight glass and pattern inconsistencies may occur.

### ELECTRICAL

Thermal protection provided to guard against overheating and misuse of insulation over and around fixture. Integral electronic low voltage transformers used. Transformers and electrical connections are accessible through ceiling opening.

### THERMAL

Aluminum heat sink conducts heat away from the LED module for optimal performance and long life.

### LED

Chip on board with a multitude of highly efficient white LED's, combined with a high reflectance upper reflector and convex transitional lens produce even distribution with no pixilation. Rated for 50,000 hours at 70% lumen maintenance. Auto resetting, thermally protected, LED's are turned off when safe operating temperatures are exceeded. Color variation within 3-step MacAdam ellipses. Quick disconnect allows for tool-less replacement of LED engine from below ceiling. Available in 80, 90 or 97 CRI. D2W™ – dim-to-warm shifts

CCT from 3000K to 1850K as fixture dims mimicking halogen sources.

### DRIVER

Standard 120-277V 0-10V dimming driver provides flicker free dimming from 100% to 1% (offered up to 4000 lumens). Optional 120V leading edge, <1% 0-10V, Fifth Light, DMX or Lutron® Ecosystem. Driver can be serviced from above or through the aperture.

### COMPLIANCE

Thermally protected and cULus listed for damp locations with covered ceiling. Optional City of Chicago environmental air (CCEA) marking for plenum applications. EMI/RFI emissions per FCC 47CFR Part 18 Class B consumer limits. 2000 lumen and above are Non-IC rated - Insulation must be kept 3" from top and sides of housing. IC rated up to 1500 lumens. Photometric testing completed in accordance with IES LM 79 and TM-30 standards. LED life testing completed in accordance with LM 80 standards.

### LIFE AND WARRANTY

Standard five-year warranty on all parts.



## 340-6B Series

**LED Recessed**  
LED 6" Farallon Glass Downlight



Refer to ENERGY STAR® Qualified Products List. Can be used to comply with California Title 24 High Efficiency requirements.

**ORDERING INFORMATION "HOUSING"**: (Select HOUSING and then MODULE/TRIM/GLASS TRIM for complete specification)

**Sample Housing Number: 340-6B-15-D010**

Series	HOUSING	Light Level/Wattage <sup>5</sup>	Voltage	Driver
340 = Shaper Farallon recessed downlight (housing)	6B = 6" downlight	10 = 1000 lumens, 11W <sup>1,3,4</sup>	Blank = 120 - 277V	D010 = 0-10V Dimming, 1% to 100%, 120V-277V
	6BCP = 6" downlight, Chicago Plenum	15 = 1500 lumens, 15.5W <sup>1,3,4</sup>	347 = 347	D10TR = 0-10V Line Voltage Dimming, 5% to 100%, 120V-277V
		20 = 2000 lumens, 21.2W <sup>1,3,4</sup>		DE010 = 0-10V Dimming, 1% to 100%, 120V-277V
		30 = 3000 lumens, 27.6W <sup>2</sup>		D5LT = Fifth Light® (DALI) Dimming, 0%-100%, 120V-2177V
		40 = 4000 lumens, 41.6W <sup>2</sup>		DMX = DMX Dimming, 0% to 100%, 120V-277V
				DL2 = Lutron® Hi-Lume Forward Phase Dimming, 1%-100%, 120V only
				DL3 = Lutron® Hi-Lume 3 Wire Dimming, 1%-100%, 120V-277V
				DLE = Lutron® Ecosystem dimming, 1%-100%, 120V-277V

**ORDERING INFORMATION "MODULE/TRIM/GLASS TRIM"**: (Select HOUSING and then MODULE/TRIM/GLASS TRIM for complete specification)

**Sample Module/Trim/Glass Kit Number: 340-EU6B-10-9030D2W-6LBW1LI-FF**

Series	MODULE	Light Level <sup>5</sup>	Color Temperature/CRI	TRIM	GLASS TRIM
340 = Shaper Farallon recessed downlight (module + glass trim)	EU6B = 6" Universal LED Module	1020 = 1000, 1500, 2000 lumens <sup>1</sup>	9024 = 90 CRI, 2400K	6LBW1LI = 6" wide, self-flanged specular clear trim	CC = Clear Cylinder
		1015 IC = 1000-1500 lumens, IC rated <sup>3</sup>	9027 = 90 CRI, 2700K		CF = Frosted Cylinder
		3040 = 3000-4000 lumens <sup>2</sup>	9030 = 90 CRI, 3000K		CC = Frosted Quadrate Pattern
		Dim 2 Warm options <sup>4</sup>	9035 = 90 CRI, 3500K		GCC = Glass in Glass - Clear Inside/ Clear Outside
		10 = 1000 lumens, D2W	9040 = 90 CRI, 4000K		GFF = Glass in Glass - Frosted Inside/ Frosted Outside
		15 = 1500 lumens, D2W	9050 = 90 CRI, 5000K		GFC = Glass in Glass - Frosted Inside/ Clear Outside
		20 = 2000 lumens, D2W	9030D2W = 90 CRI, 1800-3000K Dim 2 Warm <sup>3</sup>		FF = Flared Glass - Frosted Flute

**COMPLETE ORDERING INFORMATION:** (must order HOUSING + MODULE/TRIM/GLASS TRIM for complete fixture)

**Sample for complete fixture: 340-6B15D010**

**340-EU6B109030D2W-6LBW1LI-FF**



### Cooper Lighting Solutions

18001 E. Colfax Avenue

Denver, CO 80011

P: 303-393-1522

www.cooperlighting.com

See page 3 for Technical Notes

Specifications and dimensions subject to change without notice.

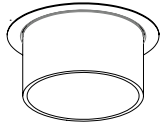
See additional information on the following pages.

PS525093EN

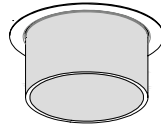
10-2017

**GLASS TRIM OPTIONS**

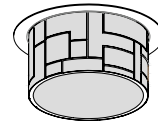
Note: All glass trims have polished edges.



**CC**  
Cylindrical Glass/  
Clear



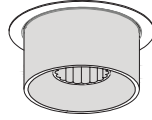
**CF**  
Cylindrical Glass/  
Frosted



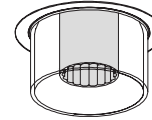
**CQ**  
Cylindrical Glass/  
Frosted Quadrate



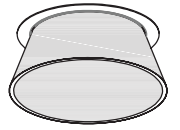
**GCC**  
Glass-in-a Glass,  
Clear Inside/  
Clear outside



**GFF**  
Glass-in-a Glass,  
Frosted Inside/  
Frosted outside

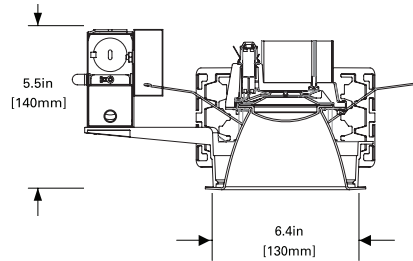
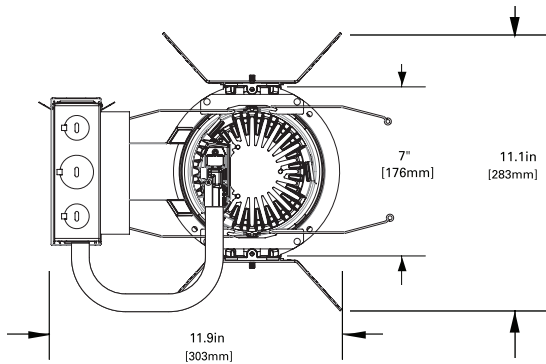


**GFC**  
Glass-in-a Glass,  
Frosted Inside/  
Clear outside

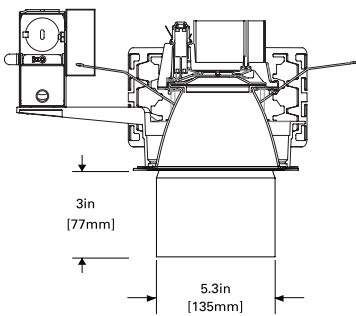


**FF**  
Flared glass/  
Frosted Flute

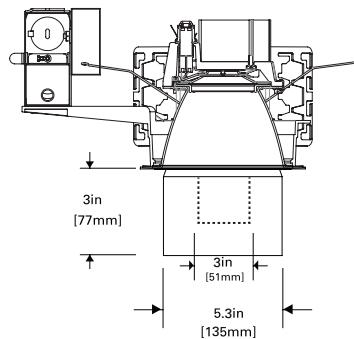
**GLASS, TRIM, HOUSING DIMENSIONS**



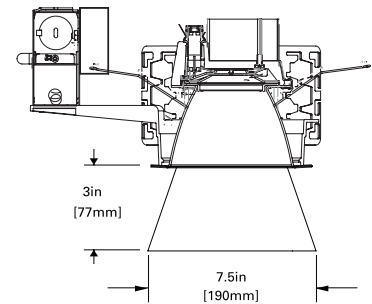
**CC, CF and CQ**



**GCC, GFF and GFC**



**FF**



**DATA AND ADDITIONAL INFORMATION**

ENERGY DATA
Sound Rating: Class A standards (Values at non-dimming line voltage)
Minimum Starting Temperature: -30°C (-22°F)
EMI/RFI: FCC Title 47 CFR, Part 15, Class B (Consumer)
Input Voltage: UNV (120V - 277V)
Power Factor: >0.90 (at nominal input 120-277 VAC & 100% of Rated Output Power)
Input Frequency: 50/60Hz

LIGHT LEVEL FOR HOUSING + MODULE + CCT/CRI CHART				
Light Level Housing	STANDARD LIGHT LEVELS		IC	D2W
	10	30		
15	40	15	15	
20		20	20	
	↓	↓	↓	↓
Light Level Module	1020	3040	1015IC	10
				15
				20
	↓	↓	↓	↓
Color Temp/CRI	9024	9024	9024	9030D2W
	9027	9027	9027	
	9030	9030	9030	
	9035	9035	9035	
	9040	9040	9040	
	9050	9050	9050	



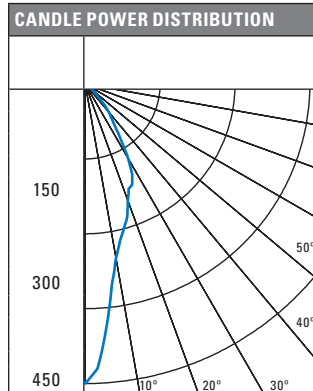
**Cooper Lighting Solutions**  
18001 E. Colfax Avenue  
Denver, CO 80011  
P: 303-393-1522  
www.cooperlighting.com

See page 3 for Technical Notes

Specifications and dimensions subject to change without notice.  
See additional information on the following pages.

PHOTOMETRICS

SHAPER 340-6B CLEAR CYLINDER	
Test Number	P229153
Lumcat	340-6B-10-D010 / 340-EU6B-1020-9035-6LBW1LI-CC
Lumens	665 Lm
Watts	9.9W
LPW	67.2 Lm/W
CCT	3500K
SC (0/90/45)	0.44 / 0.44 / 0.71
CBCP	1159 cd



ZONAL LUMEN SUMMARY		
Zone	Lumens	% Fixture
0-30	435	65.3
0-40	568	85.4
0-60	652	98.1
0-90	665	99.9
90-180	5.1	6.6
0-180	665	100

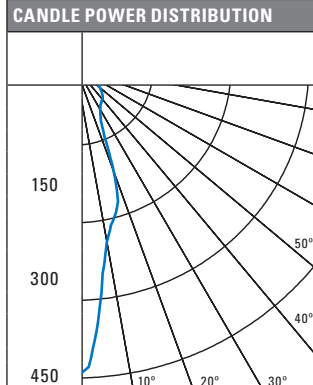
LUMINANCE DATA	
Angle Candela Degrees	Average 0° Luminance (cd/sm)
30	24920
45	6828
55	2639
65	1127
75	731
85	524

CANDELA TABLE	
Degrees Vertical	Candela
0	1159
5	942
15	578
25	430
35	203
45	74
55	23
65	7
75	3
85	1
90	0

CONE OF LIGHT				
0° Aiming Angle Horizontal Illuminance on Floor				
MH	FC	L	W	
6'	32.2	2.6	2.6	
8'	18.1	3.4	3.4	
10'	11.6	4.4	4.4	
12'	8	5.2	5.2	
15'	5.1	6.6	6.6	

MH = Mounting Height  
 FC = Footcandle  
 L = Length of eclipse  
 W = Width of eclipse

SHAPER 340-6B FROSTED CYLINDER	
Test Number	P229182
Lumcat	340-6B-10-D010 / 340-EU6B-1020-9035-6LBW1LI-CF
Lumens	629 Lm
Watts	9.9 W
LPW	63.5 Lm/W
CCT	3500K
SC (0/90/45)	0.42 / 0.42 / 0.55
CBCP	936 cd



ZONAL LUMEN SUMMARY		
Zone	Lumens	% Fixture
0-30	283	45
0-40	367	58.3
0-60	521	82.8
0-90	615	97.8
90-180	14	2.2
0-180	629	100

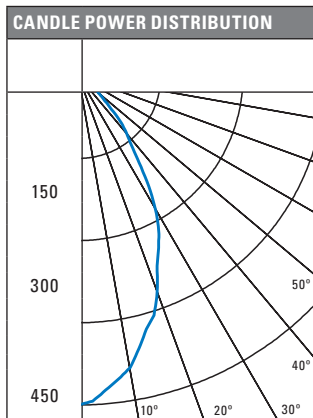
LUMINANCE DATA	
Angle Candela Degrees	Average 0° Luminance (cd/sm)
30	6216
45	4425
55	2915
65	1829
75	1145
85	756

CANDELA TABLE	
Degrees Vertical	Candela
0	936
5	770
15	460
25	179
35	133
45	113
55	75
65	46
75	28
85	17
90	12

CONE OF LIGHT				
0° Aiming Angle Horizontal Illuminance on Floor				
MH	FC	L	W	
6'	26	2.4	2.4	
8'	14.6	3.2	3.2	
10'	9.4	4.2	4.2	
12'	6.5	5	5	
15'	4.2	6.2	6.2	

MH = Mounting Height  
 FC = Footcandle  
 L = Length of eclipse  
 W = Width of eclipse

SHAPER 340-6B CLEAR GLASS CYLINDER IN CLEAR GLASS CYLINDER	
Test Number	P229298
Lumcat	340-6B-10-D010 / 340-EU6B-1020-9035-6LBW1LI-GCC
Lumens	720 Lm
Watts	9.9 W
LPW	72.8 Lm/W
CCT	3500K
SC (0/90/45)	0.82
CBCP	737 cd



ZONAL LUMEN SUMMARY		
Zone	Lumens	% Fixture
0-30	427	59.2
0-40	579	80.3
0-60	696	96.7
0-90	719	99.8
90-180	1	0.2
0-180	720	100

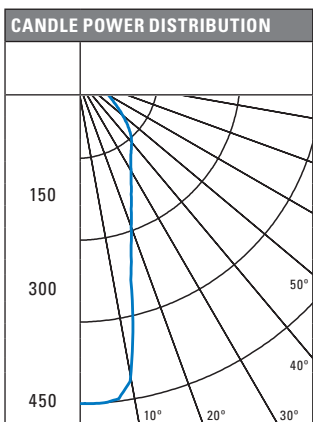
LUMINANCE DATA	
Angle Candela Degrees	Average 0° Luminance (cd/sm)
30	26073
45	9642
55	4288
65	2130
75	1462
85	1123

CANDELA TABLE	
Degrees Vertical	Candela
0	737
5	706
15	587
25	424
35	236
45	104
55	38
65	14
75	6
85	2
90	1

CONE OF LIGHT				
0° Aiming Angle Horizontal Illuminance on Floor				
MH	FC	L	W	
6'	20.5	4.8	4.8	
8'	11.5	6.4	6.4	
10'	7.4	8	8	
12'	5.1	9.8	9.8	
15'	3.3	12.2	12.2	

MH = Mounting Height  
 FC = Footcandle  
 L = Length of eclipse  
 W = Width of eclipse

SHAPER 340-4B FROSTED GLASS CYLINDER IN FROSTED GLASS CYLINDER	
Test Number	P229269
Lumcat	340-6B-10-D010 / 340-EU6B-1020-9035-6LBW1LI-GFC
Lumens	638 Lm
Watts	9.9 W
LPW	64.4 Lm/W
CCT	3500K
SC (0/90/45)	0.61
CBCP	552 cd



ZONAL LUMEN SUMMARY		
Zone	Lumens	% Fixture
0-30	256	40.2
0-40	358	56
0-60	526	82.5
0-90	626	98.2
90-180	11	1.8
0-180	638	100

LUMINANCE DATA	
Angle Candela Degrees	Average 0° Luminance (cd/sm)
30	7777
45	4934
55	3085
65	1916
75	1232
85	787

CANDELA TABLE	
Degrees Vertical	Candela
0	552
5	553
15	356
25	219
35	160
45	126
55	80
65	49
75	30
85	17
90	13

CONE OF LIGHT				
0° Aiming Angle Horizontal Illuminance on Floor				
MH	FC	L	W	
6'	15.3	3.6	3.6	
8'	8.6	4.8	4.8	
10'	5.5	6	6	
12'	3.8	7.2	7.2	
15'	2.5	9	9	

MH = Mounting Height  
 FC = Footcandle  
 L = Length of eclipse  
 W = Width of eclipse

TECHNICAL NOTES

- For Standard Light Levels, select 10, 15, or 20 under HOUSING Light Levels, and 1020 under MODULE's Light Level. Then select corresponding CRI.
- For Standard Light Levels, select 30 or 40 for HOUSING Light Level, and 3040 under MODULE's Light Level. Then select corresponding CRI.
- For IC Option, select 10 or 15 under HOUSING Light Level, and 1015IC for MODULE's Light Level. Then select corresponding CRI.
- For Dim to Warm (D2W) - select 10, 15, or 20 under HOUSING Light Levels, and 10, 15, or 20 under MODULE's Light Level, and 9030D2W for Color temp/CRI.
- See Light Level for HOUSING + MODULE + CCT/CRI chart for all compatibility on page 2.



**Cooper Lighting Solutions**  
 18001 E. Colfax Avenue  
 Denver, CO 80011  
 P: 303-393-1522  
 www.cooperlighting.com

Specifications and dimensions subject to change without notice.  
 See additional information on the following pages.