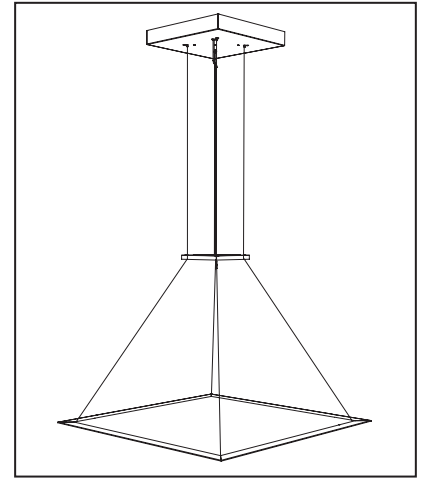


Installation Instructions – Shaper Sense Square Pendant

Keep plastic on light guide and acoustic panel, until assembly is complete.

Keep foam protective cover from top of Light Guide Panel from packaging to place on top of Light Guide Panel while assembling. Light Guide Panel needs to be protected or may incur scratches.



WARNING



Risk of Fire, Electrical Shock, Cuts or other Casualty Hazards- Installation and maintenance of this product must be performed by a qualified electrician. This product must be installed in accordance with the applicable installation code by a person familiar with the construction and operation of the product and hazards involved.



Risk of Fire and Electric Shock- Make certain power is OFF before starting installation or attempting any maintenance. Disconnect power at fuse or circuit breaker.



Risk of Fire- Minimum 90°C supply conductors.



Risk of Personal Injury- Due to sharp edges, handle with care.

Failure to comply with these instructions may result in death, serious bodily injury and property damage.

DISCLAIMER OF LIABILITY: Cooper Lighting Solutions assumes no liability for damages or losses of any kind that may arise from the improper, careless, or negligent installation, handling or use of this product.

IMPORTANT: Read carefully before installing fixture. Retain for future reference.

NOTICE: Green ground screw provided in proper location. Do not relocate.

NOTICE: Fixture may become damaged and/or unstable if not installed properly.

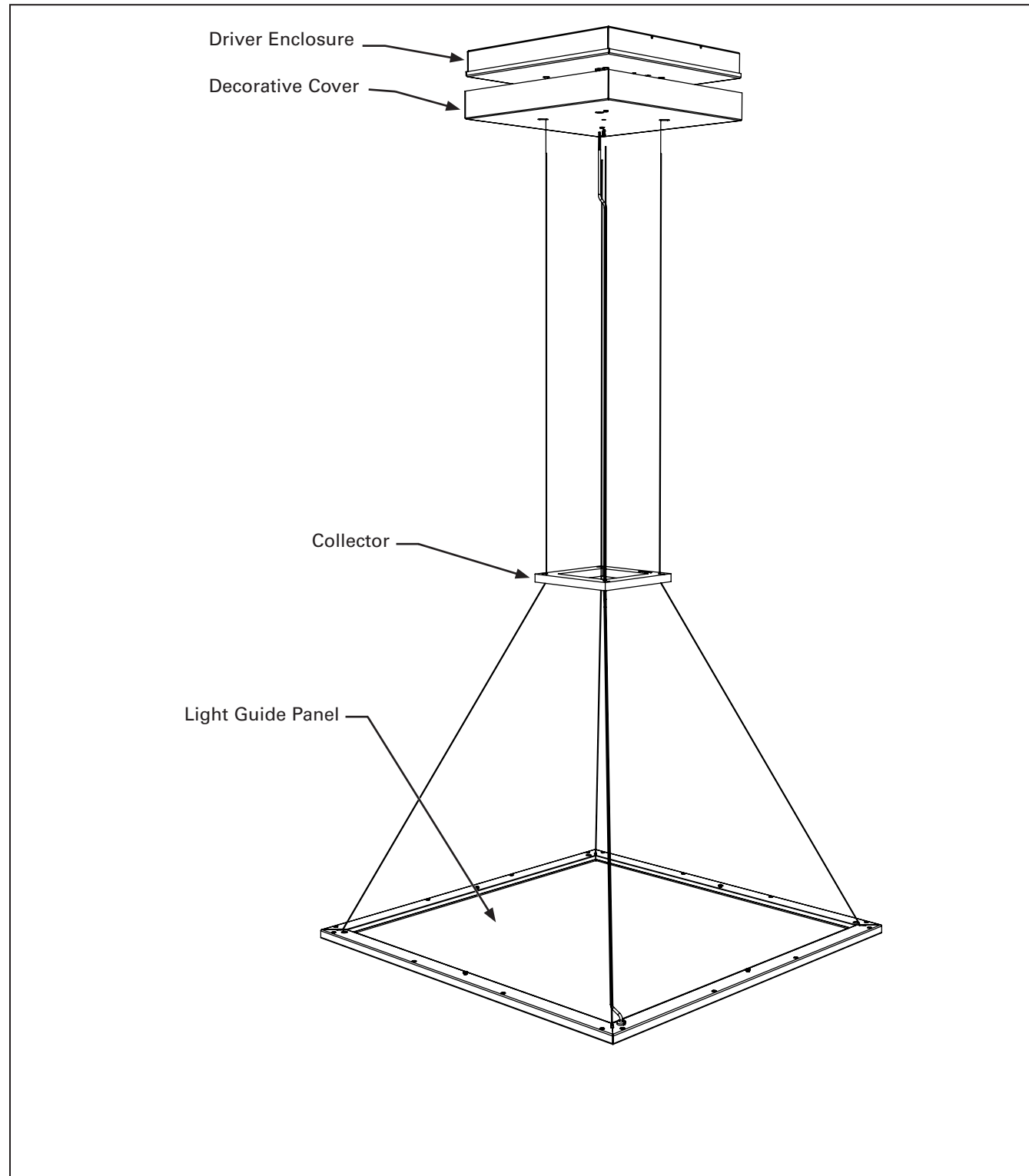
Note: Specifications and dimensions subject to change without notice.

ATTENTION Receiving Department: Note actual fixture description of any shortage or noticeable damage on delivery receipt. File claim for common carrier (LTL) directly with carrier. Claims for concealed damage must be filed within 15 days of delivery. All damaged material, complete with original packing must be retained.

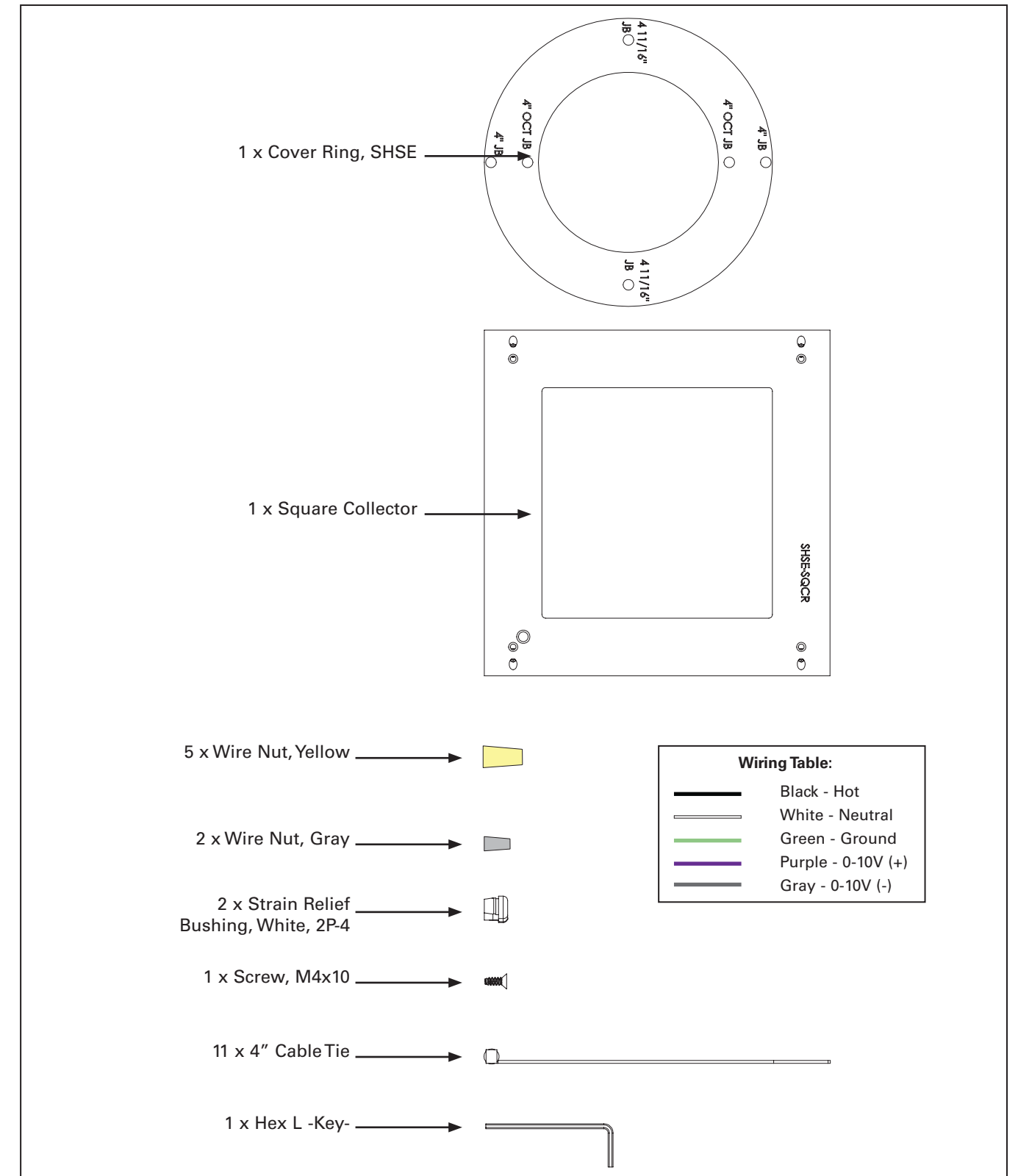
INSTALLATION

SHAPER SENSE SQUARE

EXPLODED VIEW OF COMPONENTS



DRIVER ENCLOSURE COMPONENTS AND DECORATIVE COVER COMPONENTS



INSTALLATION

DRIVER ENCLOSURE ASSEMBLY

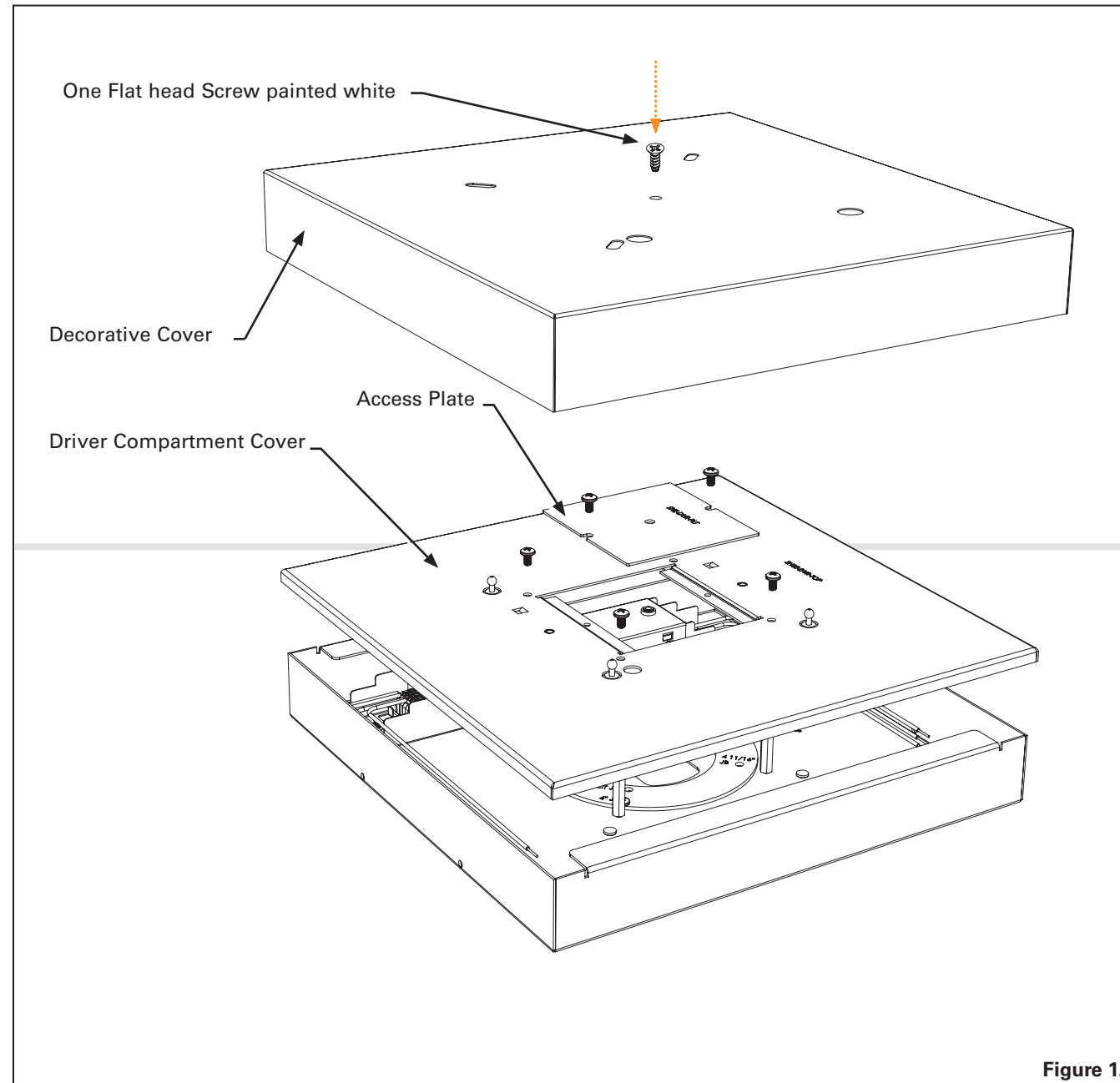
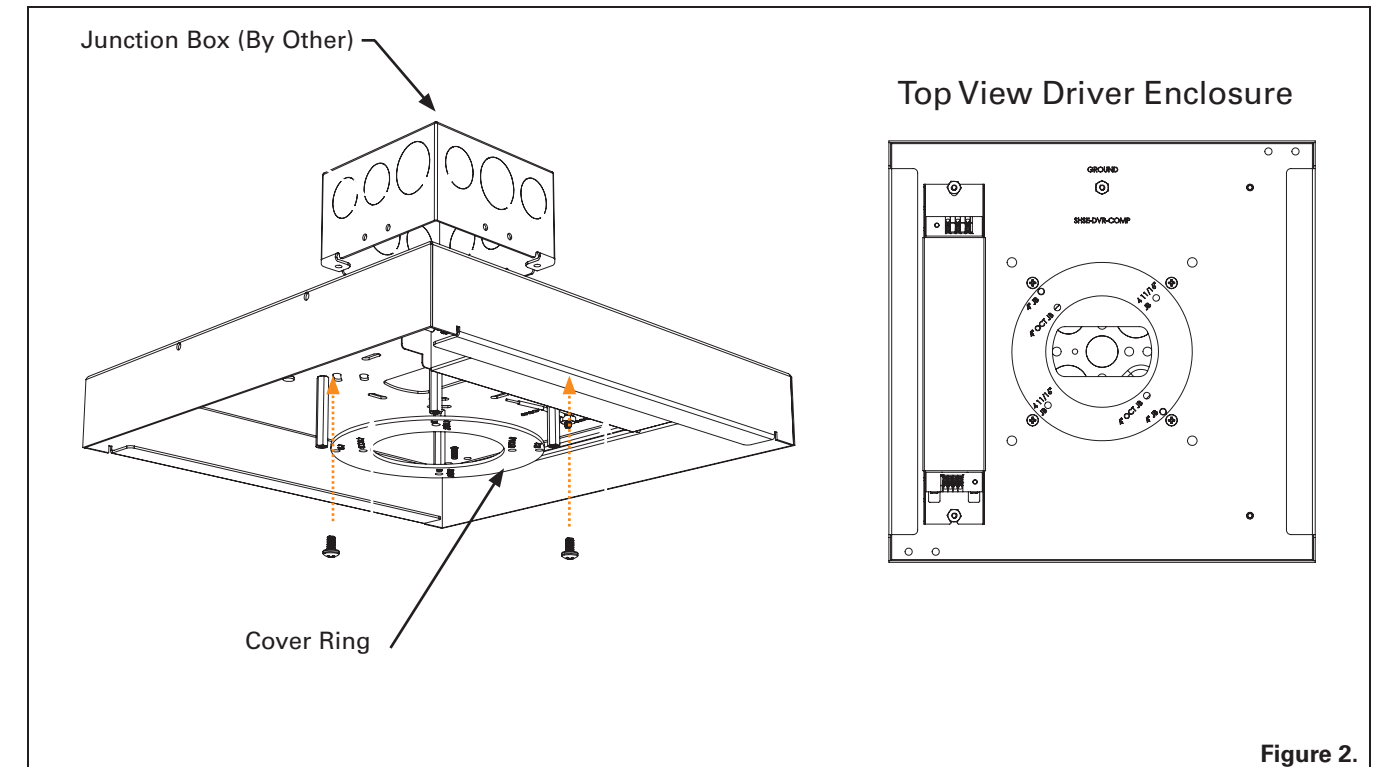


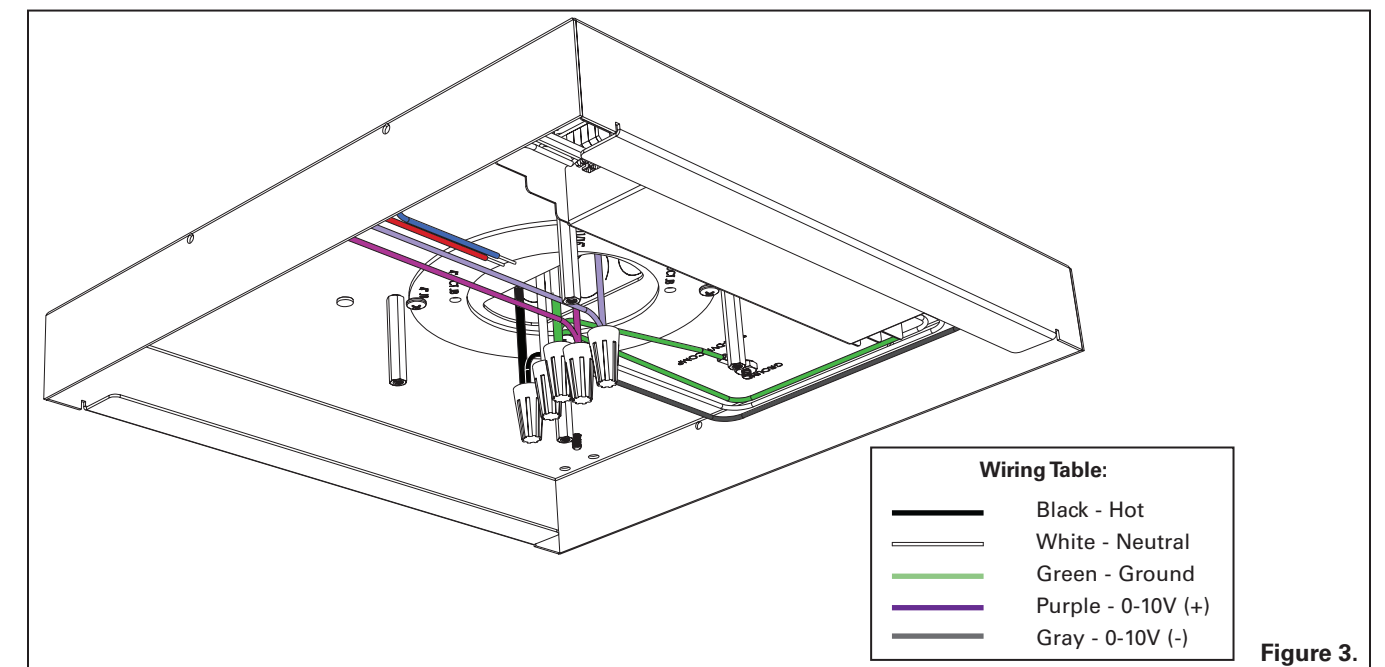
Figure 1.

Step 1. Remove the Decorative Cover, Driver Compartment Cover and the Access Plate. Set qty six #8-32 screws aside for reattachment. Ref. Figure 1.

INSTALLATION



Step 2. Using the J-Box screws (by others), align the Cover Ring to inside of the Driver Compartment. Screw the parts to the J-Box. The Cover Ring must be used to reinforce the center of the housing. Ref. Figure 2.



Step 3. Connect feeder wires from contractor supplied junction box to power wires of fixture using supplied wire nuts. Tuck all wires inside junction except blue and red low voltage wires (used for controls, and reference wiring diagram). Ref. Figure 3.

INSTALLATION

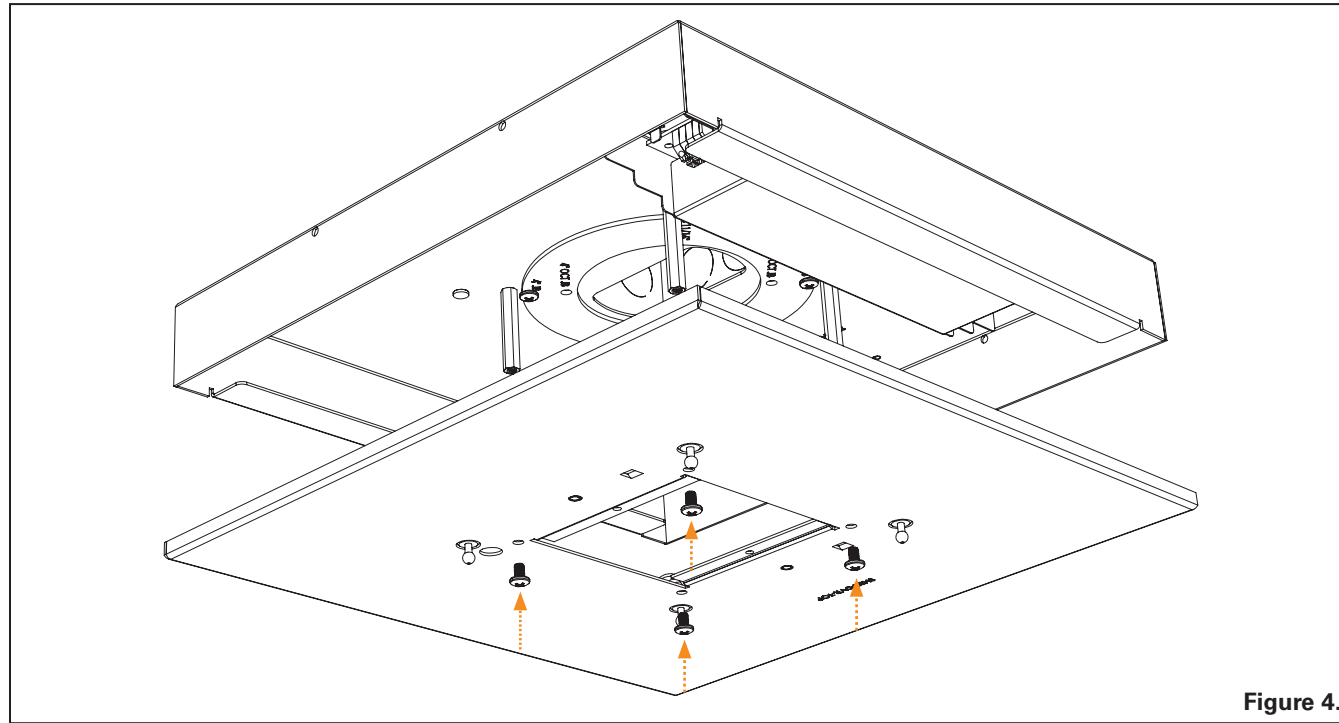


Figure 4.

Step 4. Using four #8-32 screws removed from the Driver Compartment Cover, attach the Cover to Driver Compartment. Ref. Figure 4.

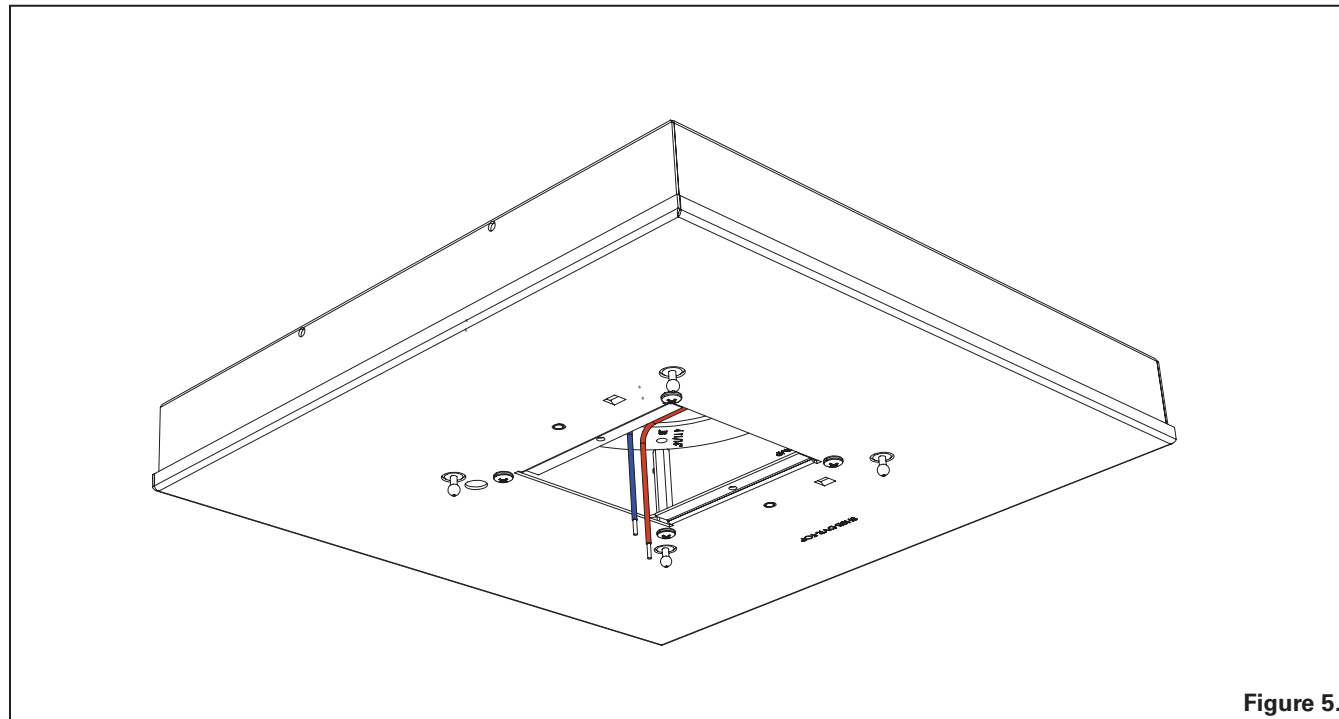


Figure 5.

Step 5. Pull the Red and Blue low voltage supply wires through the access opening. Ref. Figure 5.

INSTALLATION

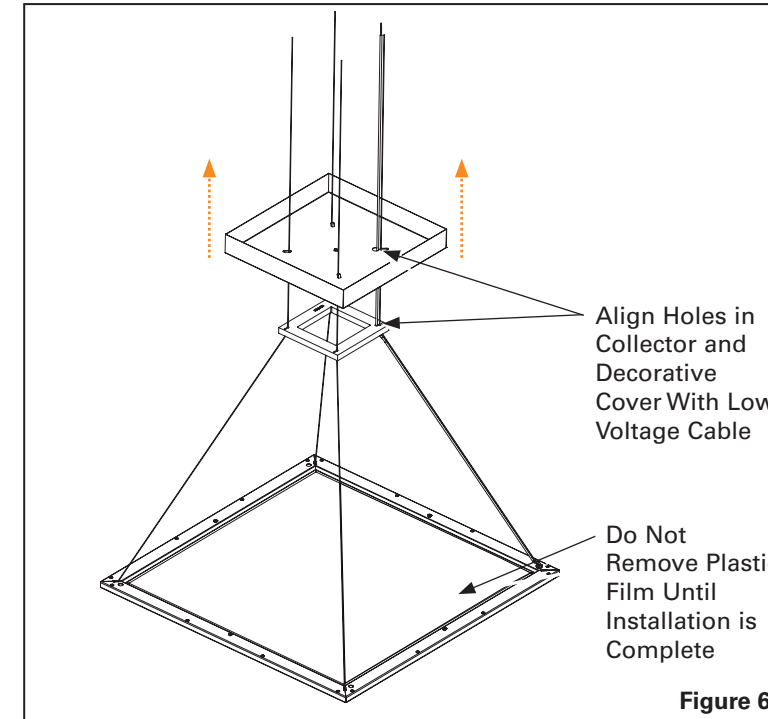


Figure 6.

Step 6a. At the Light Guide Panel, take the four Air Craft Cables and Low Voltage Cable, feed them all the way through the Collector and Decorative Cover. Make sure to orientate the Collector and Decorative Cover so the Low Voltage Cable feeds through the correct features in the parts. The Low Voltage Cable will also need to orientate with the hole in the Driver Compartment Cover in the ceiling. Ref. Figure 6.

Step 6b. Take foam insert from box and rest on top of Light Guide Panel. Then, rest the Collector and Decorative Cover on the Light Guide Assembly. (Do not remove protective film and foam until installation is complete). Ensure engraved text on Collector faces Driver Box. Ref. Figure 6.

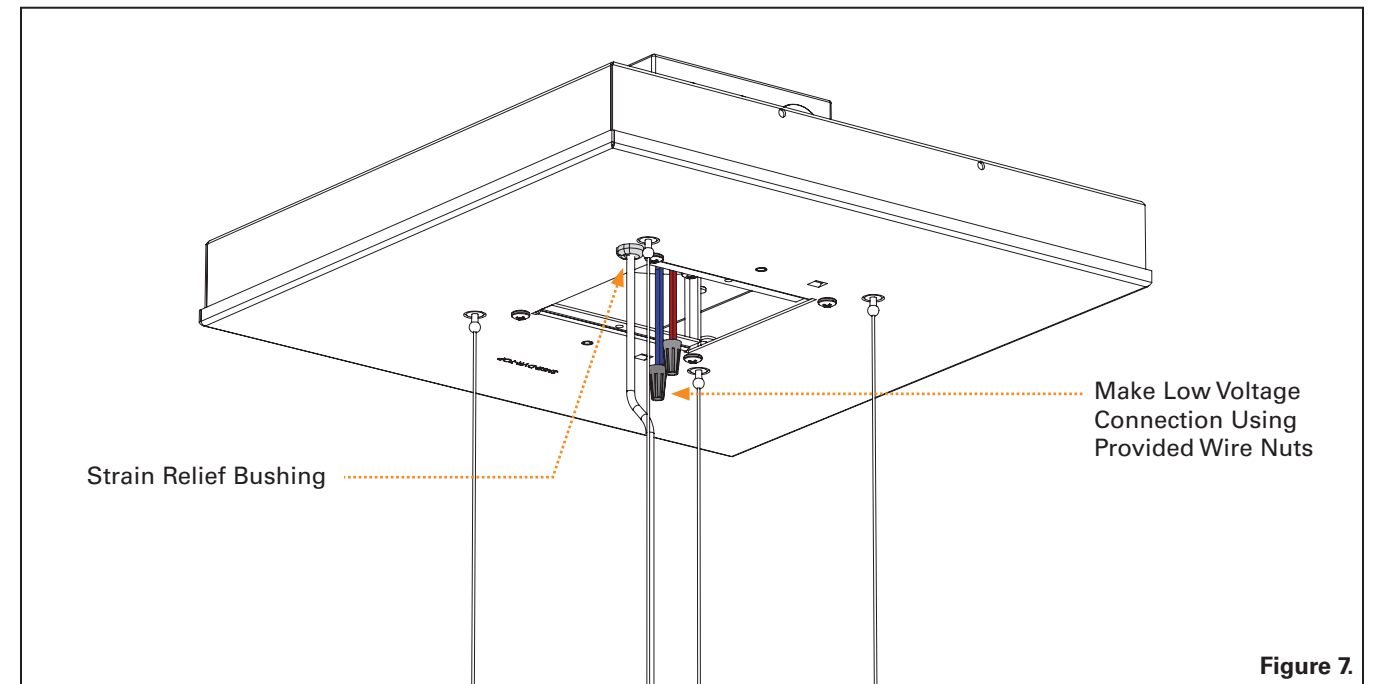


Figure 7.

Step 7. Insert the Air Craft Cables into the spherical shape Cable Grippers in the Cover of the Driver Compartment. Raise Light Guide Panel by continuing to feed the Air Craft Cables through the Grippers, pulling the excess cable out of the Access opening as the light fixture is raised. To lower the cables, gently push up on the neck of the Gripper. Ref. Figure 7.

INSTALLATION

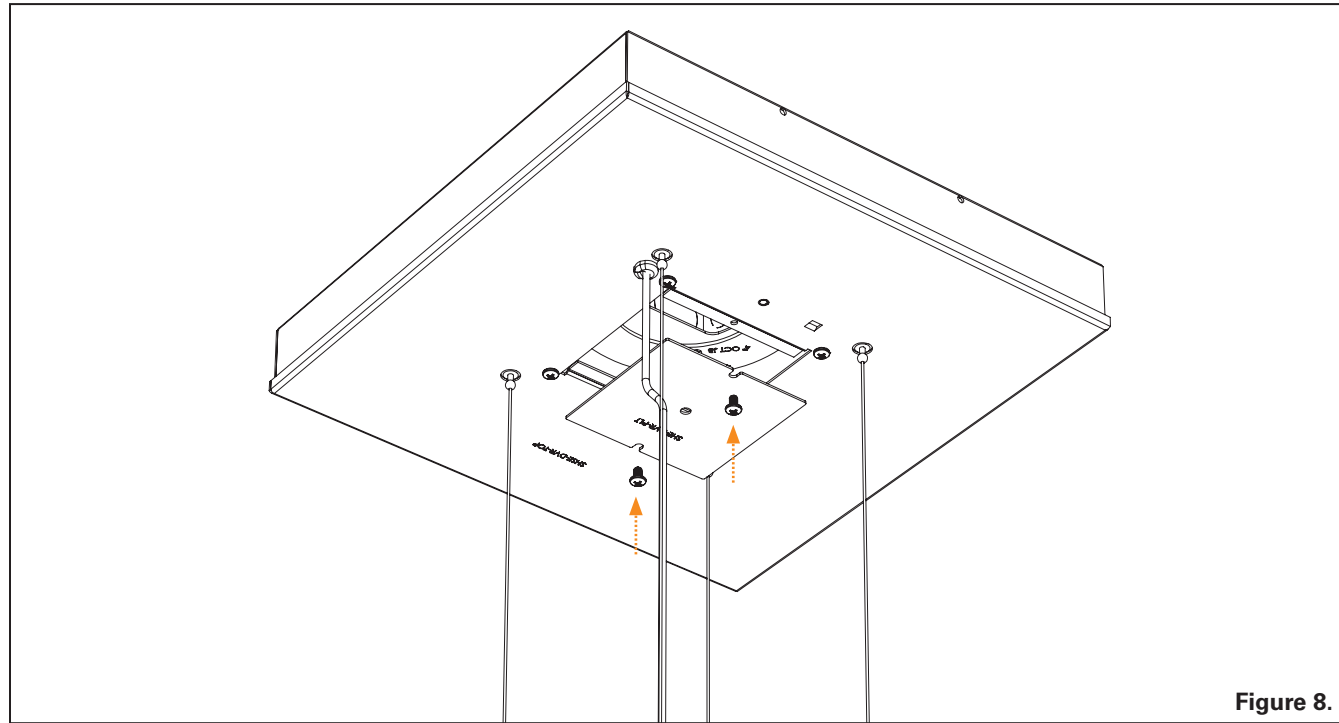


Figure 8.

Step 8. When the final height is determined and leveling is complete, either cut the excess Air Craft Cable or tightly spool it up with a tie wrap. Wrap and tie excess low voltage wire and tuck into the Driver Compartment. Ref. Figure 8.

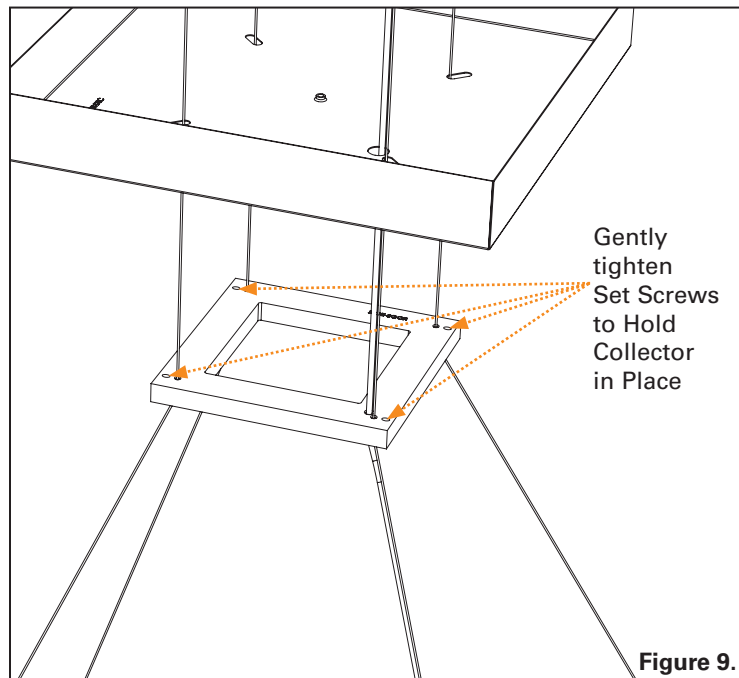


Figure 9.

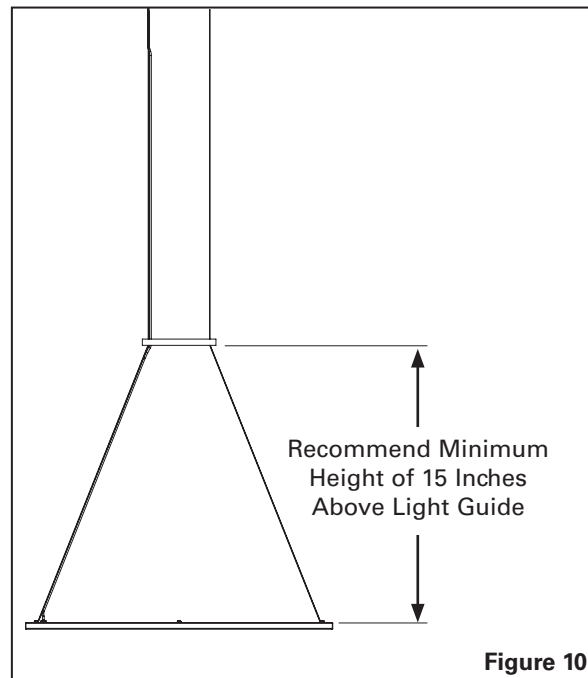


Figure 10.

Steps 9 and 10. Once the Light Guide is at the approximate height raise up the Collector and Decorative Cover. Using the provided Hex L Key, gently tighten the set screws in the Collector secure it in the desired location. The Decorative Cover will rest on top of the Collector until the final leveling of the Light Guide Panel with Air Craft Cables. Ref. Figures 9 and 10.

INSTALLATION

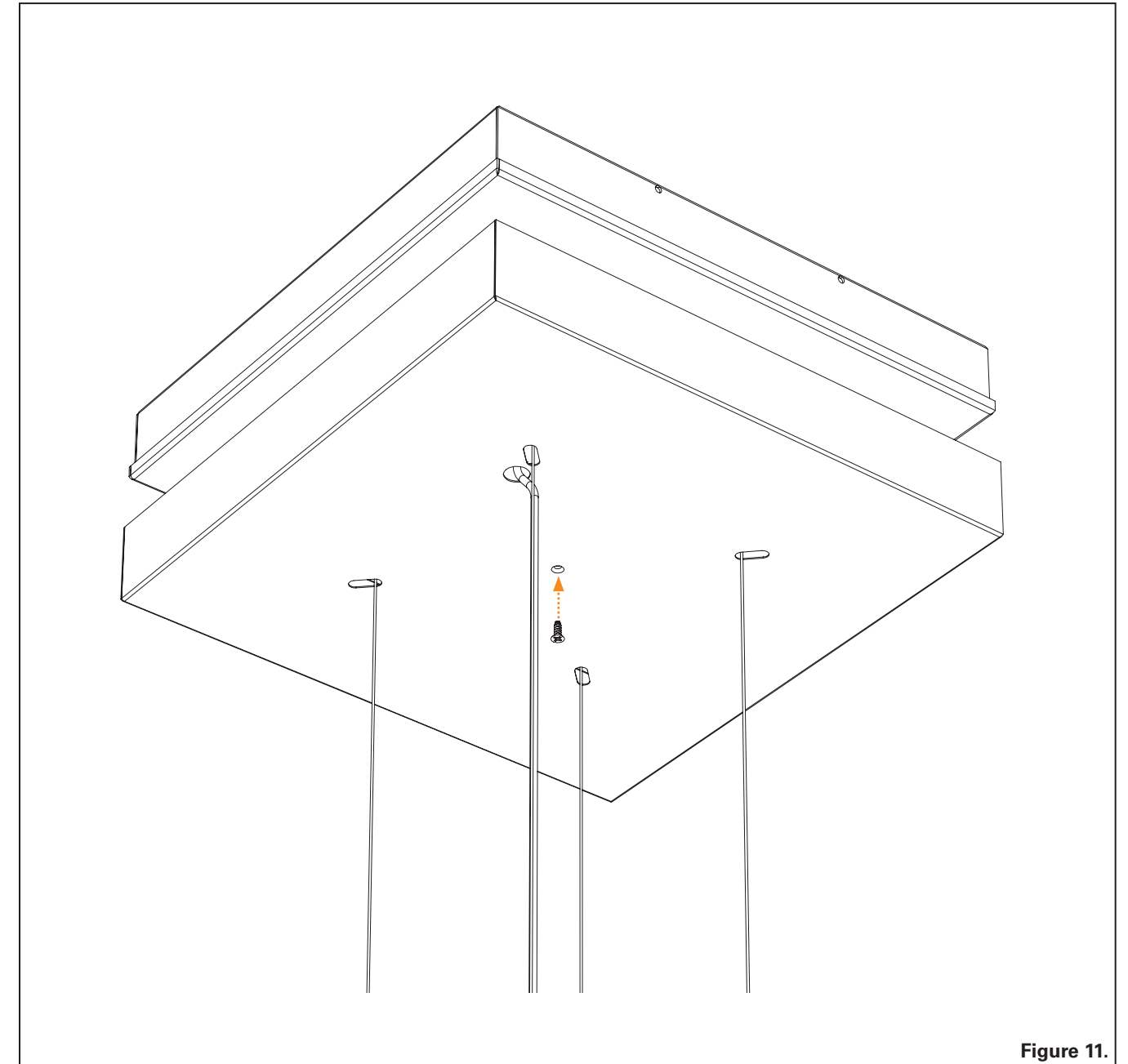


Figure 11.

Step 11a. Raise Decorative Cover and attach to the Driver Compartment using 1X flat head screw (head painted white). Ref. Figure 11.

Step 11b. Use Tie Wraps to keep the Low Voltage Cable tight against the Air Craft Cable. Ref. Figure 11.

Step 11c. Pull Low Voltage Cable tight to Air Craft Cable. Ref. Figure 11.

FCC Statement

Note: This equipment has been tested and found to comply with the limits for a Class A digital device, pursuant to part 15 of the FCC Rules. These limits are designed to provide reasonable protection against harmful interference when the equipment is operated in a commercial environment. This equipment generates, uses, and can radiate radio frequency energy and, if not installed and used in accordance with the instruction manual, may cause harmful interference to radio communications. Operation of this equipment in a residential area is likely to cause harmful interference in which case the user will be required to correct the interference at his own expense.

Warranties and Limitation of Liability

Please refer to www.cooperlighting.com for our terms and conditions.

Cooper Lighting Solutions
18001 East Colfax Ave
Aurora, CO 80011
P: 800-553-3879
www.cooperlighting.com

© 2020 Cooper Lighting Solutions
All Rights Reserved
Printed in USA
Imprimé aux États-Unis
Impreso en los EE. UU.
Publication No. IL524024EN
July 24, 2019



Cooper Lighting Solutions is a registered trademark.
All trademarks are property of their respective owners.

Cooper Lighting Solutions est une marque de commerce déposée. Toutes les autres marques de commerce sont la propriété de leur propriétaire respectif.

Cooper Lighting Solutions es una marca comercial registrada. Todas las marcas comerciales son propiedad de sus respectivos propietarios.

Product availability, specifications, and compliances are subject to change without notice

La disponibilité du produit, les spécifications et les conformités peuvent être modifiées sans préavis

La disponibilidad de productos, las especificaciones y los cumplimientos están sujetos a cambio sin previo aviso