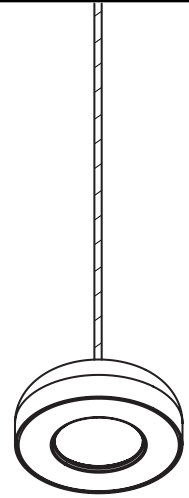


Installation Instructions - Shaper-1400-Color Cord  
 Installation Instructions - Shaper-1400-Color Cord  
 Installation Instructions - Shaper-1400-Color Cord




---

**WARNING**

**Make Certain Power is OFF before starting installation or attempting any maintenance.**

---

**WARNING**

**Risk of Fire/Electric Shock. If not qualified, consult an electrician.**

---

**WARNING**

**Risk of Electric Shock – Disconnect power at fuse or circuit breaker before installing or servicing.**

---

**WARNING**

**Risk of Personal Injury – Fixture may become damaged and/or unstable if not installed properly.**

- **Do not mount luminaire within 6" of a combustible surface.**
- **Do not handle luminaire by the glass. Do not touch LEDs.**

---

**WARNING**

**Risk of Burn – Disconnect power and allow fixture to cool before servicing.**

**Note:** These instructions do not claim to cover all details or variations in the equipment, procedure, or process described, nor to provide directions for meeting every possible contingency during installation, operation or maintenance. When additional information is desired to satisfy a problem not covered sufficiently for user's purpose, please contact your nearest representative.

**Note:** This lighting fixture has been shipped complete with one of several mounting options. Please follow the installation instructions specific to the catalog part that you ordered.

**Note:** Care must be taken not to set lighting fixture down on optical lenses or lift the fixture in the lens area.

**Note:** Specifications and dimensions subject to change without notice.

**IMPORTANT:** Read carefully before installing fixture. Retain for future reference.

**GENERAL:** Upon receipt of the fixture, thoroughly inspect for any freight damage which should be brought to the attention of the delivery carrier. Compare the catalog description listed on the packing slip with the fixture label on the housing to assure you have received the correct material.

**SAFETY:** This fixture must be wired in accordance with the National Electrical Code and applicable local codes and ordinances. Proper grounding is required to insure personal safety. Carefully observe grounding procedure under installation section.

**APPLICATIONS:** This lighting fixture is designed for outdoor lighting services, and should not be used in area of limited ventilation or inside high ambient temperature enclosures. It must be stored in a dry location prior to installation. Do not expose lighting fixture to rain, dust or other environmental conditions prior to installation and insertion of photo control or shorting cap (if so equipped). Do not install the fixture near combustible materials or locate next to airflow blocking surfaces within 6 inches. Best results will be obtained if installed and maintained according to the following recommendations.

## Installation Instructions - Shaper-1400-Color Cord

### INSTRUCTIONS:

1. Make sure power is Off.
2. Remove **Shade** and inspect **Product Label**.
3. Secure **Shade** with **Coupler**.
4. Cut **Color Cord** to length and strip the casing to access wires. Wrap **Electrical Tape** (provided by others) at the end of fabric sleeving of **Color Cord**.
5. Apply **Strain Relief** to color cord below **Electrical Tape**.
6. Loosen the **Reducer** and allow **Canopy** to separate from **Bar Strap**. Mount the **Bar Strap** assembly to J-box (not provided) with screws provided.
7. Using U.L. approved wire connectors: connect the neutral (white) wire to the supply neutral, connect the luminaire line wire (black) to the supply line wire, connect the ground (green) wire to the supply ground.
8. Turn power on to test installation.
9. Raise **Canopy** flush to ceiling and secure with **Reducer**.

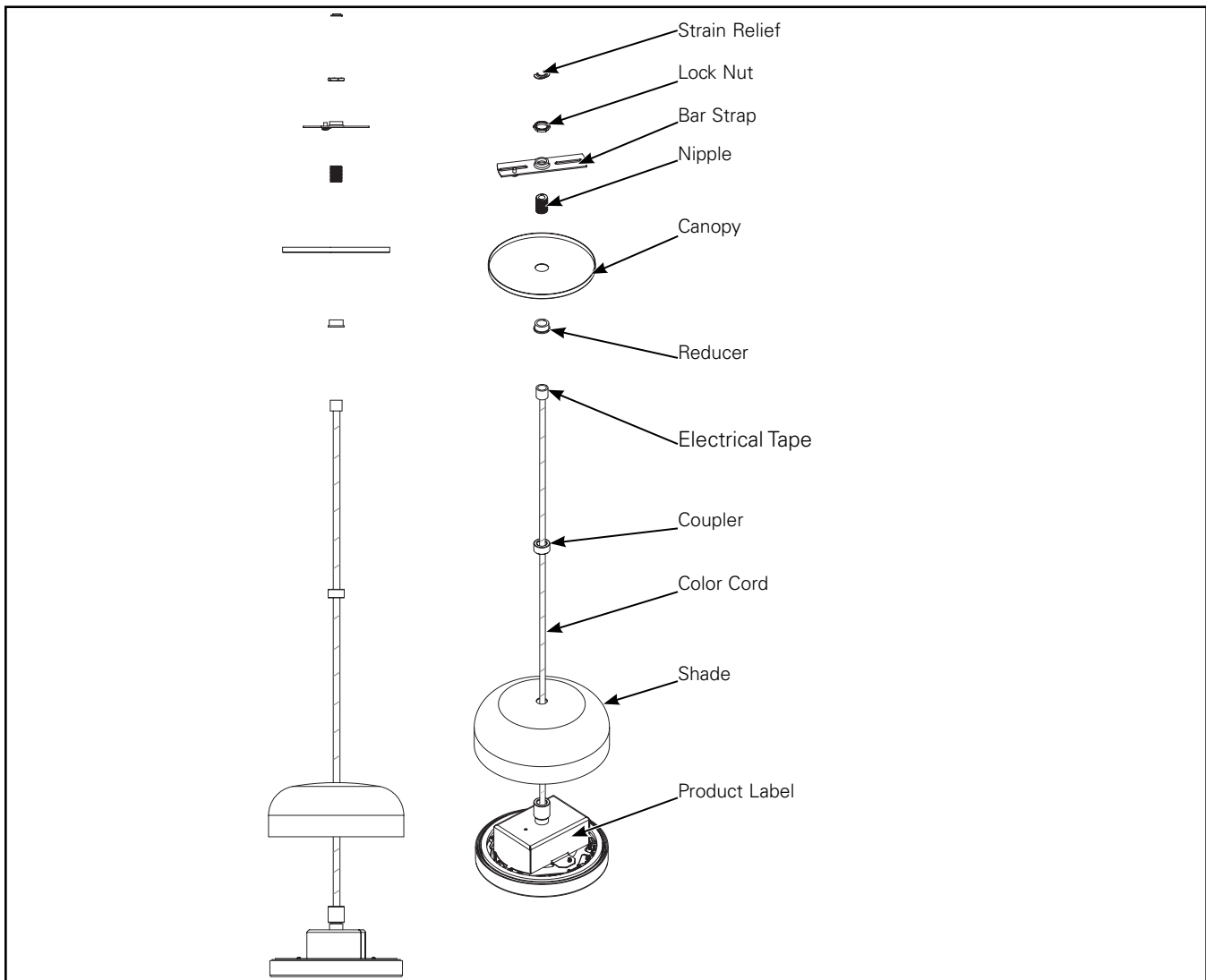
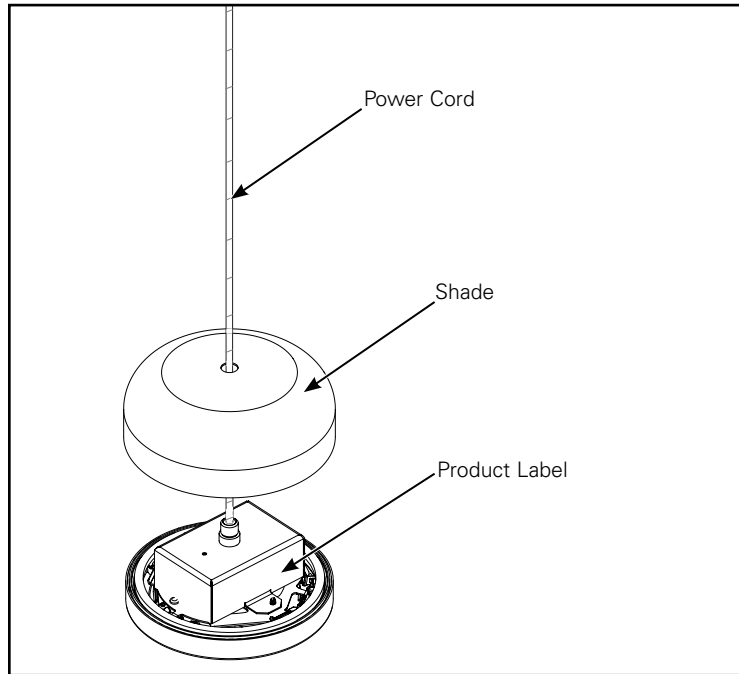


Figure 1.

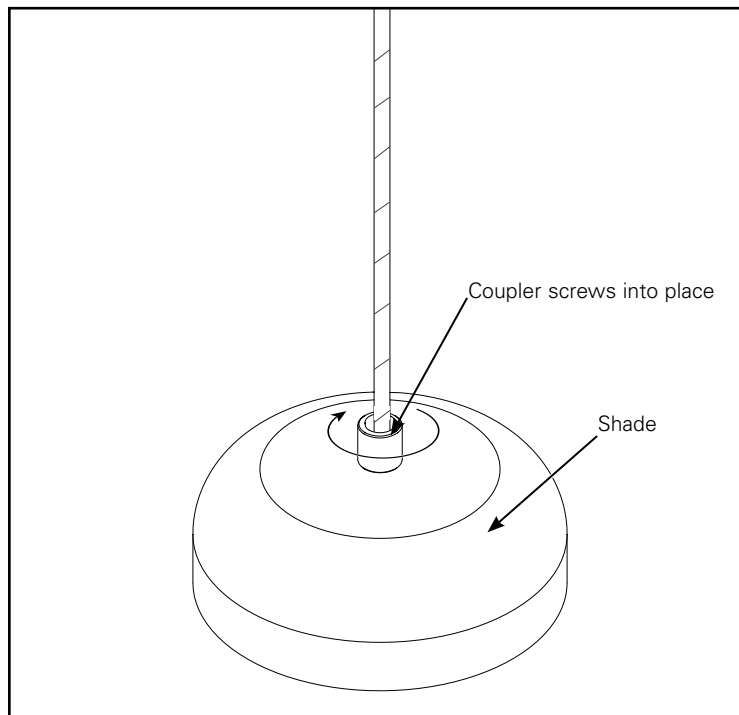
**INSTRUCTIONS:**

1. Make sure power is Off.
2. Remove **Shade** and inspect **Product Label**.



**Figure 2.**

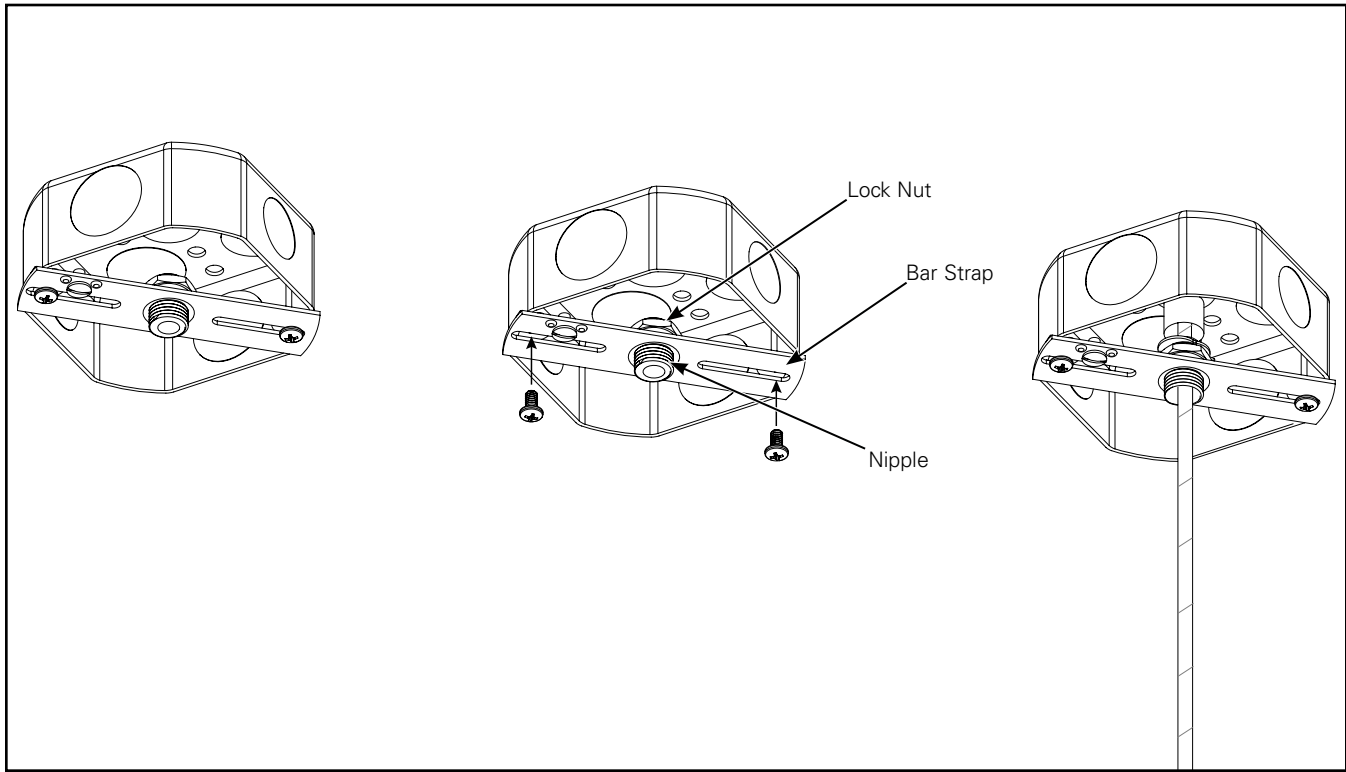
3. Secure **Shade** with **Coupler**.



**Figure 3.**

## Installation Instructions - Shaper-1400-Color Cord

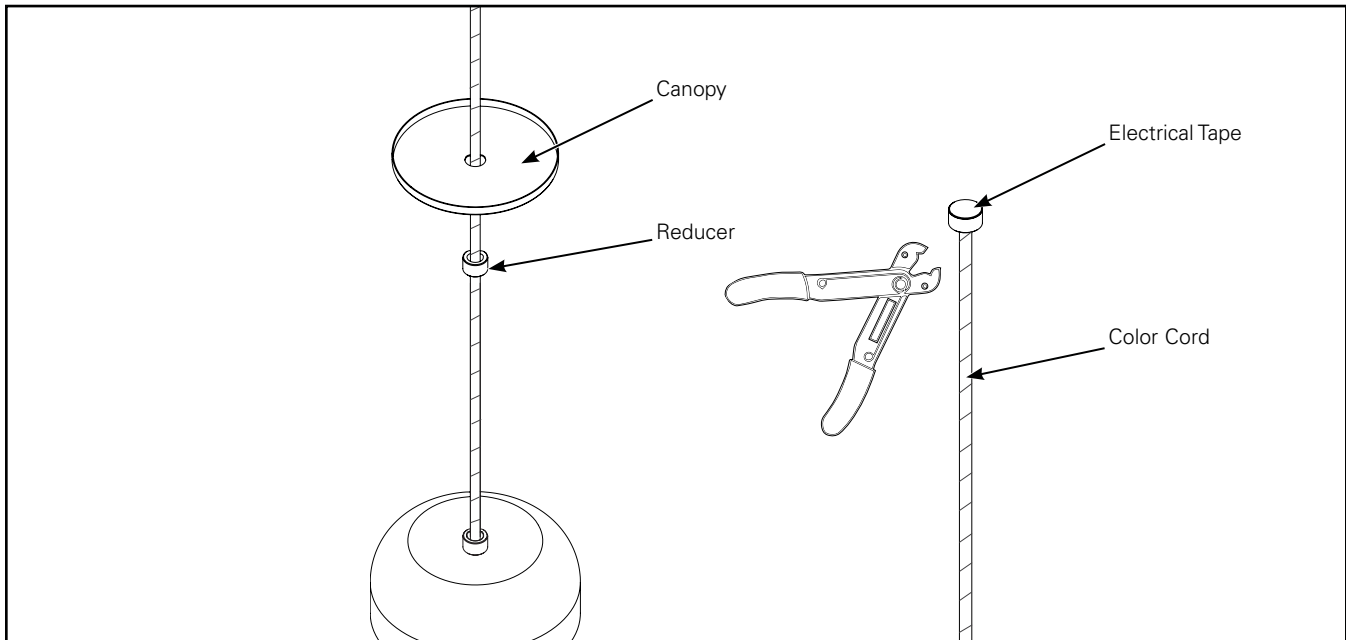
4. Thread in Bar Strap and Lock Nut to the Nipple and mount to J-Box.



**Figure 4.**

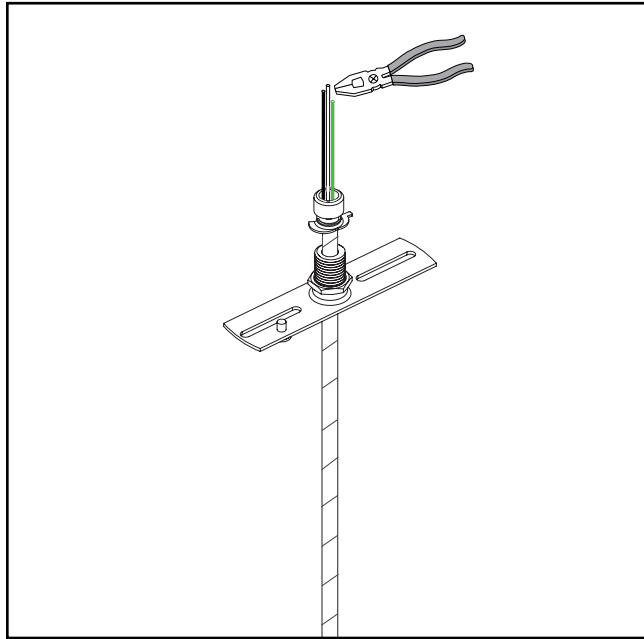
5. Place the Reducer and the Canopy through the Color Cord.
6. Cut **Color Cord** to length and strip the casing to access wires. Wrap **Electrical Tape** (provided by others) at the end of fabric sleeving of **Color Cord**.

**Note:** To be careful when stripping not to damage the Cord.



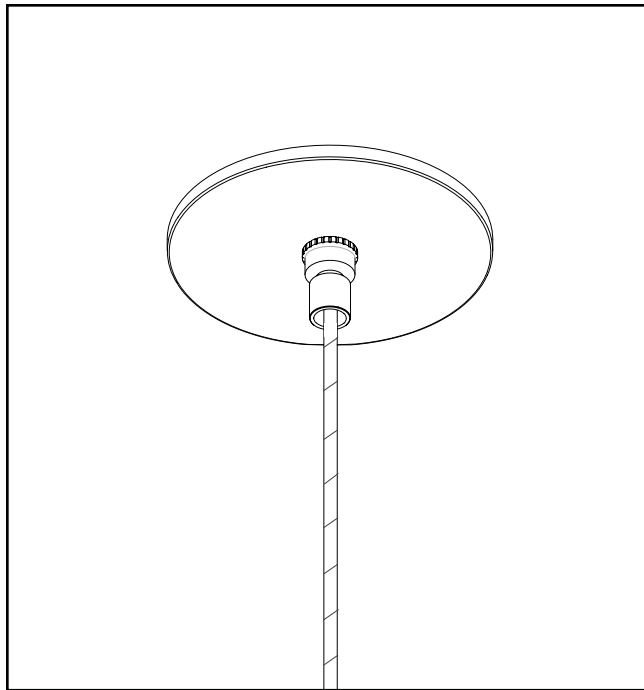
**Figure 5.**

7. Pull **color cord** through the Bar Strap and Strain Relief below the **Electrical Tape**.
8. Wire Black to live, White to Neutral, and Green to ground.



**Figure 6.**

9. Secure the Canopy to the ceiling by threading in the Nipple. Secure the canopy to the ceiling by threading the reducer into the nipple.



**Figure 7.**

## Warranties and Limitation of Liability

Please refer to [www.cooperlighting.com](http://www.cooperlighting.com) for our terms and conditions.

## Garanties et limitation de responsabilité

Veuillez consulter le site [www.cooperlighting.com](http://www.cooperlighting.com) pour obtenir les conditions générales.

## Garantías y Limitación de Responsabilidad

Visite [www.cooperlighting.com](http://www.cooperlighting.com) para conocer nuestros términos y condiciones.

**Cooper Lighting Solutions**  
1121 Highway 74 South  
Peachtree City, GA 30269  
P: 770-486-4800  
[www.cooperlighting.com](http://www.cooperlighting.com)

© 2020 Cooper Lighting Solutions  
All Rights Reserved  
Printed in USA  
Imprimé aux États-Unis  
Impreso en los EE. UU.  
Publication No. ILXXXEN  
June 9, 2018

Cooper Lighting Solutions is a registered trademark. All trademarks are property of their respective owners.

Cooper Lighting Solutions est une marque de commerce déposée. Toutes les autres marques de commerce sont la propriété de leur propriétaire respectif.

Cooper Lighting Solutions es una marca comercial registrada. Todas las marcas comerciales son propiedad de sus respectivos propietarios.

Product availability, specifications, and compliances are subject to change without notice.

La disponibilité du produit, les spécifications et les conformités peuvent être modifiées sans préavis.

La disponibilidad de productos, las especificaciones y los cumplimientos están sujetos a cambio sin previo aviso.