

Project		Catalog #		Type	
Prepared by		Notes		Date	



## Portfolio

### LSR1B/LSSQ1B Cylinders

1" LED Round and Square Cylinder

#### Typical Applications

Office • Education • Healthcare • Hospitality • Retail • Residential

#### Interactive Menu

- Order Information [page 2](#)
- Product Specifications [page 2](#)
- Photometric Data [page 3](#)
- Product Warranty

#### Product Certification



#### Product Features



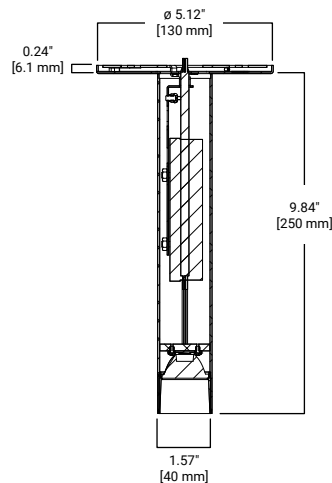
#### Top Product Features

- 800 lumens; Offered in 90 CRI; Downlight
- Round or square surface-mount cylinders; Ceiling, or cord mount
- Extruded aluminum housing; Matte Black, White, Bronze and Silver paint finishes
- 4 color temperatures: 2700K, 3000K, 3500K, and 4000K CCT

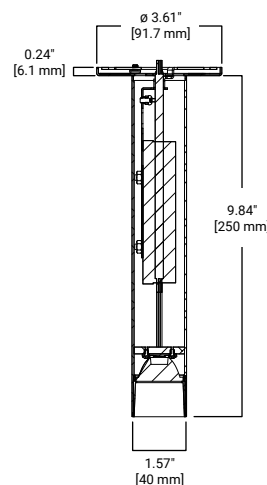
#### Dimensional and Mounting Details

additional product diagrams

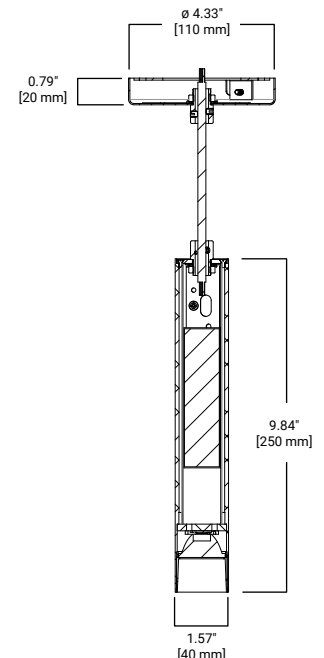
1IN ROUND CYLINDER SURFACE MOUNT



1IN ROUND CYLINDER SURFACE MOUNT SMALL CANOPY



1IN ROUND CYLINDER CORD MOUNT



## Order Information

SAMPLE ORDER NUMBER: **LSR1B08209027D010TEPMW**

Housing	Lumens	Distribution	CRI	CCT	Driver	Finish	Reflector Finish
<b>LSR1B</b> = 1-inch round surface mount <b>LSSQ1B</b> = 1-inch square surface mount <b>LSRSC1B</b> = 1-inch round surface mount, small canopy <b>LSSQSC1B</b> = 1-inch square surface mount, small canopy <b>LSRP1B</b> = 1-inch round cord mount (10'), standard canopy <b>LSSQP1B</b> = 1-inch square cord mount (10'), standard canopy	<b>08</b> = 800 lumens	<b>20</b> = 20° <b>35</b> = 35° <b>50</b> = 50°	<b>90</b> = 90 CRI	<b>27</b> = 2700K <b>30</b> = 3000K <b>35</b> = 3500K <b>40</b> = 400K	<b>D010TE</b> = 120-277V 0-10V 1% dimming	<b>P</b> = Matte White <b>MB</b> = Matte Black <b>SL</b> = Silver	<b>MW</b> = Matte White <b>MMS</b> = Matte Metallic Silver <b>SB</b> = Specular Black
<b>Notes</b>	<b>Notes</b>	<b>Notes</b>			<b>Notes</b>	<b>Notes</b>	<b>Notes</b>

## Product Specifications

### Lower Reflector

- Factory installed with round or square aperture
- Offered in matte white, matte metallic silver or specular black

### Cylinder

- Round or square extruded aluminum
- Matte white, silver or matte black

### Mounting

- Mounting plate installs to 3-inch or 4-inch junction box
- Cylinder mounts to canopy with easy twist and lock hooks with set screw

### Optics

- Molded TIR optic in 20°, 35°, and 50° distributions providing a smooth beam without color separation

### Thermal

- Extruded aluminum cylinder conducts heat away from the LED module for optical performance and longer life

### LED System

- Contains a plurality of high brightness white LED's combined with high reflectance upper reflector producing even distribution with no pixilation
- Rated for 50,000 hours at 70% lumen maintenance
- Color variation within 3-step MacAdam ellipses
- Available in 2700K, 3000K, 3500K, and 4000K correlated color temperature (CCT)
- 90CRI

### Driver

- Standard 120-277V 0-10V/120V leading edge combination dimming driver provides flicker-free dimming from 100% to 1%

### Compliance

- Cord mount cULus Listed for damp locations
- Surface mount cULus Listed for protected damp locations
- EMI/RFI emissions per FCC 47CFR Part 18 Class B consumer limits
- RoHS compliant
- Photometric testing completed in accordance with IES LM-79
- LED life testing completed in accordance with IES LM-80 standards

### Warranty

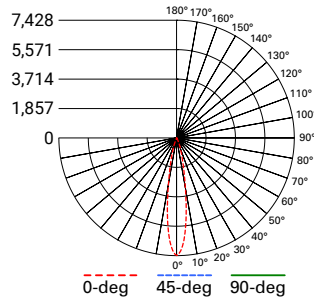
- Five-year warranty

## Energy Data

800 Lumen D010TE	
Input Power: 16.31W	THD: ≤20%
120V Input Current: 0.138A	277V Input Current: 0.064

## Photometric Data

LSR1B0820 - 20° Spot	
Test Number	P436675
Housing	LSR1B08209035D010TEMWxx
Lumens	1042 Lm
Watts	16.5 W
Efficacy	63.2 Lm/W
CCT	3500K
SC	0.3 / 0.3 / 0.32
UGR	10



CONE OF LIGHT				
MH	FC	L	W	
5.5'	245.6	1.6	1.6	
7'	151.6	2	2	
8'	116.1	2.4	2.4	
9'	91.7	2.6	2.6	
10'	74.3	3	3	
12'	51.6	3.6	3.6	

CONE OF LIGHT					
Horizontal					
MH	FC	L	W	CB	
5.5'	162.2	2.1	1.8	3.2	
7'	100.1	2.6	2.4	4	
8'	76.7	3.1	2.6	4.6	
9'	60.6	3.5	3	5.2	
10'	49.1	3.9	3.4	5.8	
12'	34.1	4.7	4	6.9	

CONE OF LIGHT					
Vertical					
D	FC	L	W	CB	
1'	1131.9	0.9	0.4	1.7	
2'	283	1.8	1	3.5	
3'	125.8	2.8	1.6	5.2	
4'	70.7	3.8	2.2	6.9	
5'	45.3	4.8	2.6	8.7	
6'	31.4	5.7	3.2	10.4	

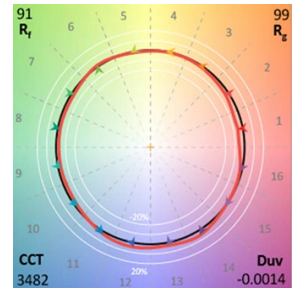
CANDELA TABLE	
Degrees Vertical	Candela
0	7428
5	5993
15	1346
25	183
35	31
45	20
55	17
65	13
75	8
80	5

ZONAL LUMEN SUMMARY		
Zone	Lumens	% Fixture
0-30	967	92.8
0-40	987	94.7
0-60	1018	97.7
0-90	1042	100
90-180	0	0
0-180	1042	100

LUMINANCE	
Average Candela Degrees	Average 0° Luminance
45	55541
55	57461
65	58839
75	64052
85	70196

TM-30-15	Rf = 91
	Rg = 99
CRI/CIE	Ra = 92.4
	R9 = 61.2

CCT - Range of 2700K- 4000K

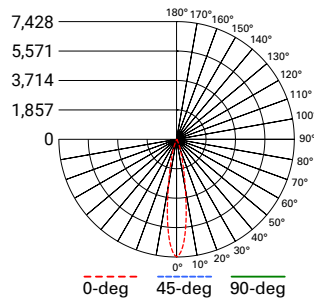


CCT Multipliers – 90CRI

2700K	3000K	3500K	4000K
0.956	0.962	1.000	1.036

Multipliers for relative lumen values with other color temperatures.

LSR1B0820 - 20° Spot	
Test Number	P436678
Housing	LSR1B08359035D010TEMWxx
Lumens	1032 Lm
Watts	16.5 W
Efficacy	62.5 Lm/W
CCT	3500K
SC	0.58 / 0.58 / 0.55
UGR	10



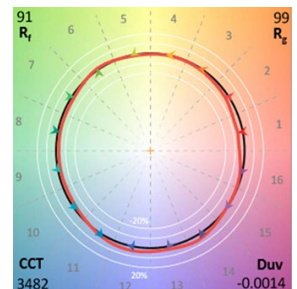
CONE OF LIGHT				
MH	FC	L	W	
5.5'	92	3	3	
7'	56.8	4	4	
8'	43.5	4.6	4.6	
9'	34.3	5	5	
10'	27.8	5.6	5.6	
12'	19.3	6.8	6.8	

CONE OF LIGHT					
Horizontal					
MH	FC	L	W	CB	
5.5'	65.5	3.6	3.4	3.2	
7'	40.4	4.6	4.4	4	
8'	31	5.3	5	4.6	
9'	24.5	5.9	5.6	5.2	
10'	19.8	6.6	6.2	5.8	
12'	13.8	8	7.6	6.9	

CONE OF LIGHT					
Vertical					
D	FC	L	W	CB	
1'	627.7	1	0.8	1.7	
2'	156.9	2.1	1.6	3.5	
3'	69.7	3.1	2.4	5.2	
4'	39.2	4.2	3.4	6.9	
5'	25.1	5.2	4.2	8.7	
6'	17.4	6.3	5	10.4	

TM-30-15	Rf = 91
	Rg = 99
CRI/CIE	Ra = 92.4
	R9 = 61.2

CCT - Range of 2700K- 4000K



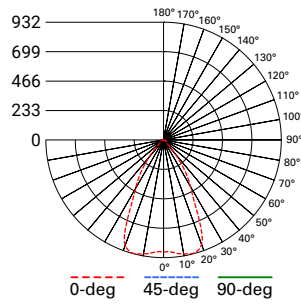
CCT Multipliers – 90CRI

2700K	3000K	3500K	4000K
0.956	0.962	1.000	1.036

Multipliers for relative lumen values with other color temperatures.

## Photometric Data

LSR1B0820 - 50° Flood	
Test Number	P436681
Housing	LSR1B08509035D010TEMWxx
Lumens	964 Lm
Watts	16.5 W
Efficacy	58.4 Lm/W
CCT	3500K
SC	0.96 / 0.96 / 0.9
UGR	10



CONE OF LIGHT					CONE OF LIGHT					CONE OF LIGHT				
					Horizontal					Vertical				
MH	FC	L	W		MH	FC	L	W	CB	D	FC	L	W	CB
5.5'	29.5	5.2	5.2		5.5'	28.3	4.4	5	3.2	1'	405.9	0.8	1	1.7
7'	18.2	6.6	6.6		7'	17.5	5.6	6.6	4	2'	101.5	1.7	2	3.5
8'	14	7.6	7.6		8'	13.4	6.4	7.4	4.6	3'	45.1	2.5	3	5.2
9'	11	8.6	8.6		9'	10.6	7.3	8.4	5.2	4'	25.4	3.4	4	6.9
10'	8.9	9.6	9.6		10'	8.6	8.1	9.4	5.8	5'	16.2	4.3	5	8.7
12'	6.2	11.4	11.4		12'	6	9.7	11.2	6.9	6'	11.3	5.1	6.2	10.4

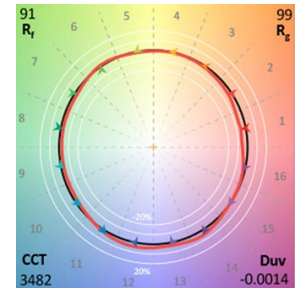
CANDELA TABLE	
Degrees Vertical	Candela
0	893
5	897
15	932
25	648
35	305
45	60
55	31
65	25
75	15
80	9

ZONAL LUMEN SUMMARY			
Zone	Lumens	% Fixture	
0-30	645	66.9	
0-40	832	86.3	
0-60	918	95.3	
0-90	964	100	
90-180	0	0	
0-180	964	100	

LUMINANCE	
Average Candela Degrees	Average 0° Luminance
45	166344
55	108040
65	117212
75	111328
85	95104

TM-30-15	Rf = 91
	Rg = 99
CRI/CIE	Ra = 92.4
	R9 = 61.2

CCT - Range of 2700K- 4000K



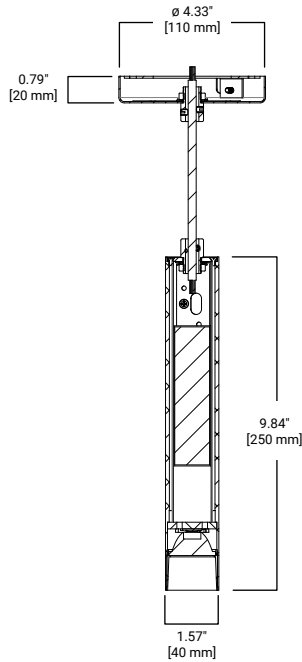
### CCT Multipliers – 90CRI

2700K	3000K	3500K	4000K
0.956	0.962	1.000	1.036

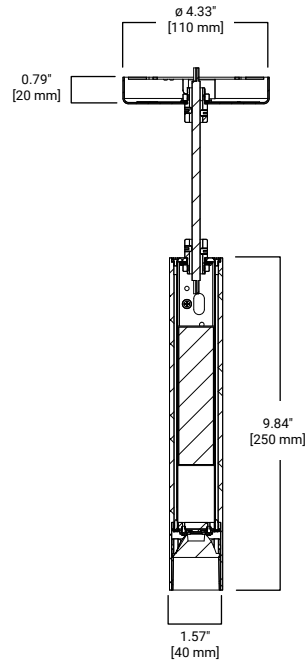
Multipliers for relative lumen values with other color temperatures.

## Dimensional and Mounting Details

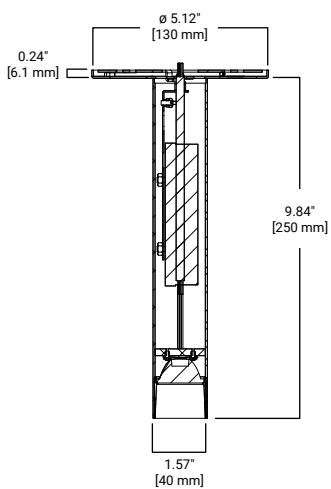
**1IN ROUND CYLINDER  
CORD MOUNT**



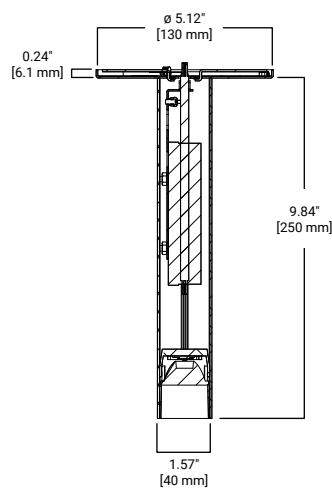
**1IN SQUARE CYLINDER  
CORD MOUNT**



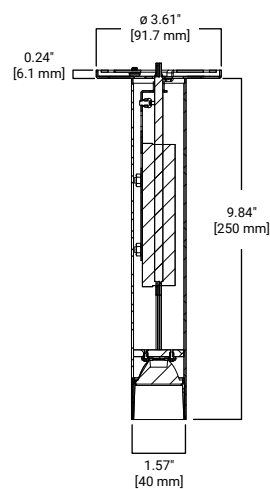
**1IN ROUND CYLINDER  
SURFACE MOUNT**



**1IN SQUARE CYLINDER  
SURFACE MOUNT**



**1IN ROUND CYLINDER  
SURFACE MOUNT  
SMALL CANOPY**



**1IN SQUARE CYLINDER  
SURFACE MOUNT  
SMALL CANOPY**

