

# Portfolio

## DESCRIPTION

Surface mount luminaire designed for use in architectural and commercial applications with limited plenum height. The patented WaveStream™ optical technology blocks the line of sight from the LED light sources while providing a high level of uniformity and delivering the maximum amount of light. The Portfolio surface mount luminaires are available in black, white, bronze and silver paint in many lumen packages and 80 or 90CRI delivering up to 100LPW.

Catalog #		Type
Project		
Comments		Date
Prepared by		

## SPECIFICATION FEATURES

### Optics

Medium and wide beam distribution is achieved using reflective backing plates and WaveStream optical technology. The optical WaveGuide is manufactured using precision injection molded acrylic. The optics contain features that form a repeatable and redundant pattern to direct light in a precisely prescribed distribution. Available in 2700K, 3000K, 3500K and 4000K CCT.

### Housing

Decorative one piece die-cast aluminum housing with spun aluminum top available in white, matte black, silver or bronze paint.

### Mounting

Standard fixture mounts to a square or octagonal 4" surface or recessed j-box via heavy-gauge quick mount bracket. Optional mounting methods include aircraft cable, pendant mount and wall mount.

### Driver

Combination 0-10V or trailing edge standard. Optional 1% 0-10V, 1% Fifth Light / DALI.

### Compliance

Ceiling and wall mount luminaires are cULus listed for wet locations with covered ceiling. Cable and pendant luminaires are cULus listed for damp locations. EMI/

### RFI emissions per FCC 47CFR

Part 18 Class B consumer limits. Photometric testing completed in accordance with IES LM 79 standards. LED life testing completed in accordance with LM 80 standards.

### Warranty

Five year warranty.



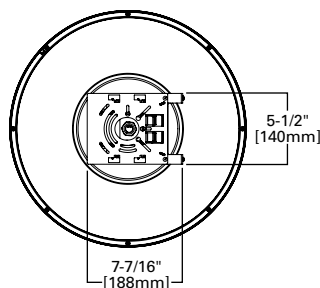
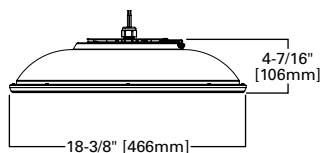
**LSM, LSWM,  
LSMP,  
LSMAC48,  
LSMAC120**



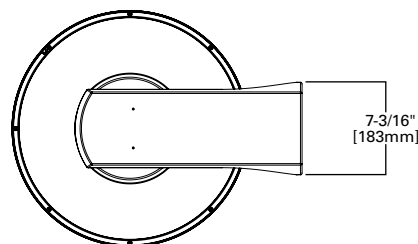
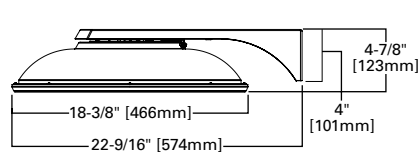
powered by  
**fifthlight**  
technology

## DIMENSIONS

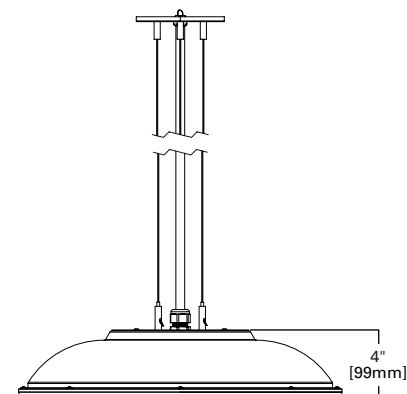
### SURFACE MOUNT



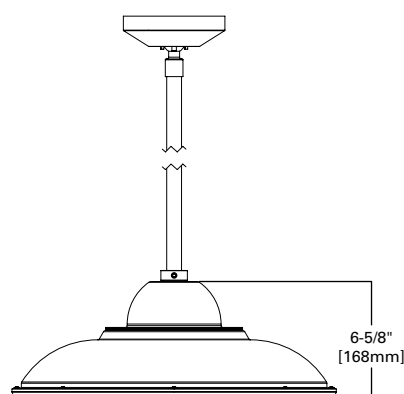
### WALL MOUNT



### AIRCRAFT CABLE MOUNT



### PENDANT MOUNT



### ENERGY DATA

Sound Rating: Class A standards (Values at non-dimming line voltage)	
Minimum Starting Temperature: -20°C (-4°F)	
EMI/RFI: FCC Title 47 CFR, Part 15, Class B (Consumer)	
<b>4500 Lumen D010TE</b>	
120V Input Power: 44W	277V/347V Input Power: 45W
120V Input Current: .36A	277V/347V Input Current: .17A
THDi 120V: <13%	THDi 277V: <20%
Maximum Non-IC Ambient Continuous	
Input Frequency: 50-60Hz	
<b>5500 Lumen D010TE</b>	
120V Input Power: 56W	277V/347V Input Power: 57W
120V Input Current: .46A	277V/347V Input Current: .21A
THDi 120V: <13%	THDi 277V: <20%
Maximum Non-IC Ambient Continuous	
Input Frequency: 50-60Hz	
<b>7000 Lumen D010TE</b>	
120V Input Power: 74W	277V/347V Input Power: 75W
120V Input Current: .61A	277V/347V Input Current: .27A
THDi 120V: <13%	THDi 277V: <20%
Maximum Non-IC Ambient Continuous	
Input Frequency: 50-60Hz	
<b>8000 Lumen D010TE</b>	
120V Input Power: 88W	277V/347V Input Power: 89W
120V Input Current: .74A	277V/347V Input Current: .32A
THDi 120V: <13%	THDi 277V: <20%
Maximum Non-IC Ambient Continuous	
Input Frequency: 50-60Hz	
<b>9000 Lumen D010TE</b>	
120V Input Power: 99W	277V/347V Input Power: 98W
120V Input Current: .83A	277V/347V Input Current: .36A
THDi 120V: <13%	THDi 277V: <20%
Maximum Non-IC Ambient Continuous	
Input Frequency: 50-60Hz	

**ORDERING INFORMATION**

**EXAMPLE: LSMP45W8027D010TEMB LPS36MB**

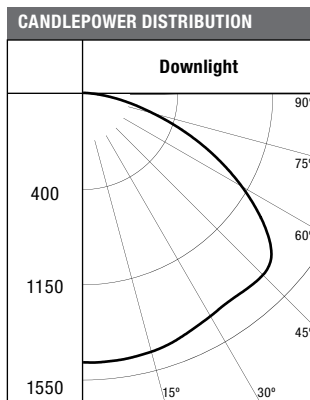
Housing	Lumens	Distribution	CRI	CCT	Voltage	Driver	Color
<b>LSM</b> =LED Surface Ceiling <b>LSMP</b> =LED Pendant Mount 1 <b>LSWM</b> =LED Wall Mount <b>LSMAC48</b> =LED Aircraft Cable Mount 48" <b>LSMAC120</b> =LED Aircraft Cable Mount 120"	<b>45</b> =4500 Lumens <b>55</b> =5500 Lumens <b>70</b> =7000 Lumens <b>80</b> =8000 Lumens <b>90</b> =9000 Lumens	<b>W</b> =Wide <b>M</b> =Medium	<b>80</b> =80 CRI <b>90</b> =90 CRI  <b>27</b> =2700 <b>30</b> =3000 <b>35</b> =3500 <b>40</b> =4000  <b>Blank</b> =120-277V <b>3</b> =347V			<b>4500, 5500, 7000, 8000, 9000 Lumen</b> <b>D010TE</b> =120-277 0-10V 10% Dimming or Trailing Edge 120V  <b>4500, 5500, 7000, 8000 Lumen</b> <b>D5LT</b> =120-277 Fifth Light DALI Dimming <b>D010TR</b> =120-277 0-10V 10% Dimming or Leading Edge 120V <b>DE010</b> =120-277 0-10V 1% Dimming  <b>4500, 5500, 7000 Lumen</b> <b>DLT</b> =120V, 1-100% Lutron, Forward Phase Dimming	<b>MB</b> =Matte Black <b>P</b> =White <b>SL</b> =Silver <b>BZ</b> =Bronze

**Accessories**  
 TT/WG=Wireguard

Stem Kits	Color	Type
<b>LPS36</b> =36" <b>LPS48</b> =48" <b>LPS96</b> =96"	<b>MB</b> =Matte Black <b>P</b> =White <b>SL</b> =Silver <b>BZ</b> =Bronze	<b>Blank</b> =5 Conductor for use with 0-10V Dimming Drivers <b>120</b> =3 Conductor for use with 120V or 277V 2-wire Dimming <b>D5LT</b> =5 Conductor for use with D5LT Drivers

**Notes:** 1 For pendant mount order stem kit.

**PHOTOMETRICS**



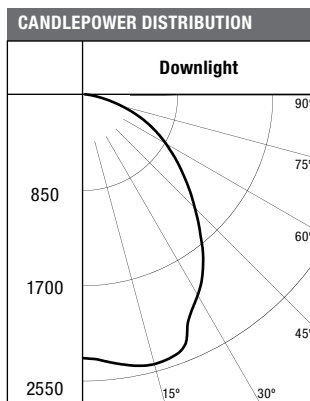
LSM55W8035D010TEP	
Lumens	5808
Efficacy	103 Lm/W
Watts	57
CCT	3500K
SC	1.45 / 1.43 / 1.73

CONE OF LIGHT		
Distance Fixture to Lighted Plane	Initial Footcandles at Nadir	Beam Diameter
8'	24	11
9'	19	13
10'	15	14
13'	9	19
16'	6	23

CANDELA TABLE	
Degrees Vertical	Candela
0	1516
5	1518
15	1506
25	1465
35	1432
45	1439
55	1220
65	795
75	362
85	71
90	0

ZONAL LUMEN SUMMARY		
Zone	Lumens	%Fixture
0-30	1247	21.5
0-40	2153	37.1
0-60	4452	76.7
0-90	5807	100
90-180	0	0
0-180	5807	100

LUMINANCE	
Average Candela Degrees	Average 0° Luminance
45	22030
55	23021
65	20356
75	15144
85	8863



LSM55W8035D010TEP	
Lumens	6325
Efficacy	112.5 Lm/W
Watts	56
CCT	3500K
SC	1.28 / 1.28 / 1.33

CONE OF LIGHT		
Distance Fixture to Lighted Plane	Initial Footcandles at Nadir	Beam Diameter
8'	37	10
9'	29	11
10'	24	13
13'	14	16
16'	9	20

CANDELA TABLE	
Degrees Vertical	Candela
0	2334
5	2373
15	2471
25	2214
35	1860
45	1400
55	1013
65	666
75	301
85	43
90	0

ZONAL LUMEN SUMMARY		
Zone	Lumens	%Fixture
0-30	1980	31.3
0-40	3130	49.5
0-60	5227	82.6
0-90	6325	100
90-180	0	0
0-180	6325	100

LUMINANCE	
Average Candela Degrees	Average 0° Luminance
45	21446
55	19123
65	17057
75	12589
85	5330