

Project		Catalog #		Type	
Prepared by		Notes		Date	



Portfolio

LDSSQ4 | EU4B | 4LBCSSQ

4" square, new construction shallow downlight

Typical Applications

Office • Education • Healthcare • Hospitality • Retail • Code-Compliance Areas • Sports Venues

Interactive Menu

- Order Information page 2
- Photometric Data page 4
- Product Warranty

Product Certification



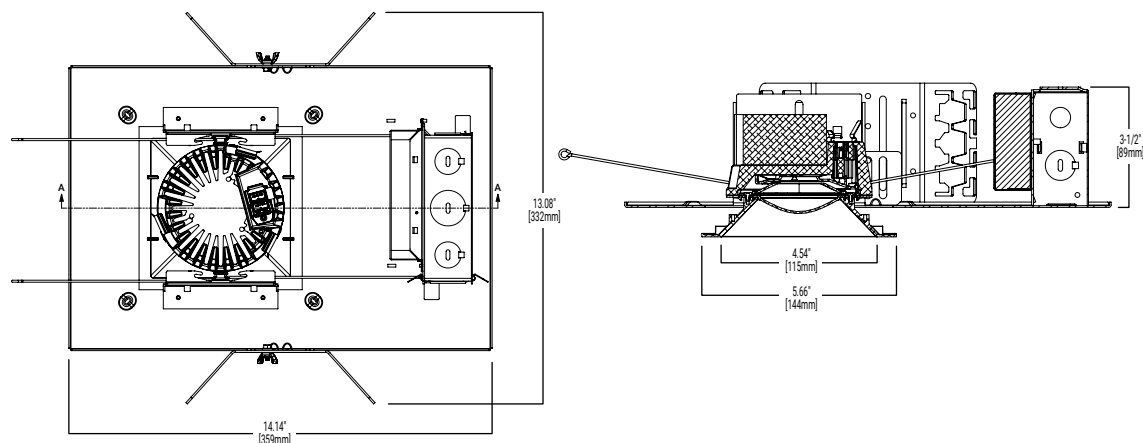
Product Features



Top Product Features

- 1000, 1500, 2000, 3000 lumens
- 2400K, 2700K, 3000K, 3500K, 4000K, 5000K color temperature
- For standard or shallow plenum heights
- Dim-to-warm technology
- Tuneable white technology

Dimensional and Mounting Details



Order Information

Icon Key: ▲ Configurable Product

SAMPLE ORDER NUMBER: LDSSQ4B10D010-EU4B102027-4LBCSSQ1MW

Housing	Lumens	Driver	Options
LDSSQ4B = 4" square downlight 4" nominal aperture LDSSQ4BCP = 4" square downlight 4" nominal aperture, Chicago Plenum	10 = 1000 Lumens 15 = 1500 Lumens 20 = 2000 Lumens 30 = 3000 Lumens	D010 = 0-10V Dimming, 1% to 100%, 120V-277V D010TR = 0-10V or Line Voltage Dimming, 5% to 100%, 120V-277V DE010 = 0-10V Dimming, 0% to 100%, 120V-277V ⁽⁵⁾ D5LT = Fifth Light® (DALI) Dimming, 0% to 100%, 120V-277V ⁽⁶⁾ DMX = DMX/RDM Dimming, 0% to 100%, 120V-277V ⁽⁵⁾⁽⁶⁾ DL2 = Lutron® Hi-Lume Forward Phase Dimming, 1% to 100%, 120V Only DLE = Lutron Ecosystem dimming 1% to 100%, 120V-277V DLV = Low voltage dimming driver (1-100%) for use with DLVP system ⁽³⁾ Tunable white 1000-2000 Lumens ⁽²⁾⁽⁵⁾ 1DE010W2N2050 = 0-10V dimming, 0% to 100%, 120V, 2000K - 5000K 1DE010W2N2765 = 0-10V dimming, 0% to 100%, 120V, 2700K - 6500K 1D5LTW2N2050 = Fifth Light (DALI), 0% to 100%, 120V, 2000K - 5000K 1D5LTW2N2765 = Fifth Light (DALI), 0% to 100%, 120V, 2700K - 6500K 2DE010W2N2050 = 0-10V dimming, 0% to 100%, 277V, 2000K - 6500K 2DE010W2N2765 = 0-10V dimming, 0% to 100%, 277V, 2700K - 6500K 2D5LTW2N2050 = Fifth Light (DALI), 0% to 100%, 277V, 2000K - 5000K 2D5LTW2N2765 = Fifth Light (DALI), 0% to 100%, 277V, 2700K - 6500K	
Notes	Notes (1) Nominal lumens will vary depending on selected color, driver and reflector finish.	Notes (2) Non-IC (3) Not available with Chicago Plenum. (5) Requires above ceiling access. (6) DMX fixtures default to full on upon loss of DMX signal.	Notes

Power Module	Lumen	CRI / CCT		
EU4B = 4" Universal LED Module	1020 = 1000, 1500, 2000 Lumens 3040 = 3000 Lumens	80 CRI 27 = 2700K 30 = 3000K 35 = 3500K 40 = 4000K 50 = 5000K Dim 2 Warm 109030D2W = 1000 lumen, 90 CRI, Dim 2 Warm, IC rated 159030D2W = 1500 lumen, 90 CRI, Dim 2 Warm, IC rated 209030D2W = 2000 lumen, 90 CRI, Dim 2 Warm 309030D2W = 1000 lumen, 90 CRI, Dim 2 Warm	90 CRI 24 = 2400K 27 = 2700K 30 = 3000K 35 = 3500K 40 = 4000K 50 = 5000K	97 CRI 27 = 2700K 30 = 3000K Tunable White 1020W2N902050 = 1000, 1500, 2000 lumens, 90 CRI, tunable white 2000K-5000K 1020W2N902650 = 1000, 1500, 2000 lumens, 90 CRI, tunable white 2700K-6500K
Notes	Notes (1) Nominal lumens will vary depending on selected color, driver and reflector finish.	Notes		

Reflector	Flange	Finish	Accessories
4LBCSSQ = 4" Shallow wide beam die cast 4LBPSSQ = 4" Shallow non-conductive, injection molded white (self flanged white only)	1 = Self-flanged (finish is the same as the reflector) 2 = White painted self- flanged 3 = Flangeless for use with plaster lathing ring	Die Cast reflectors MW = Matte White MB = Matte Black MMS = Matte Metallic Silver	LGSKT4SQIP66 = IP66 Gasket Kit PRSQ4 = Rimless Plaster Ring for Flush Mount (order reflector with flangeless reflector) Bar Hangers HB26 = C-channel Bar Hanger, 26" Long, Pair HB50 = C-channel Bar Hanger, 50" Long, Pair RMB22 = Wood Joist Bar Hanger, 22" Long, Pair Connected Lighting Systems PORLWTPD1 =Enlighted wireless sensor kit (0-10V only) field installed ⁽⁴⁾ TMSWPD1 =WaveLinX tilemount daylight sensor (includes control module, sensor, cable and tile mount) field installed ⁽⁴⁾
Notes	Notes	Notes	Notes (4) Refer to system specifications for additional information, features, and benefits.

Product Specifications

Lower Shielding Reflector

- Painted die cast aluminum or non-conductive injection molded lower reflector with a lensed upper optical chamber providing superior lumen output with minimal source brightness
- Reflector is retained with two torsion springs holding the flange tight to the finished ceiling surface
- Plaster lathing ring accessory offered for flush reflector transition

Plaster Frame

- Galvanized steel plaster frame s for up to 1-1/4" thick ceilings

Junction box

- Listed for (8) #12 AWG (four in, four out) 90°C conductors and feed thru branch wiring
- (4) 1/2" and (2) 3/4" trade size pry outs positioned to allow straight conduit runs

Thermal

- Aluminum heat sink conducts heat away from the LED module for optimal performance and long life

LED

- Chip on board with a multitude of highly efficient white LED's, combined with a high reflectance upper reflector and convex transitional lens produce even distribution with no pixilation
- Rated for 50,000 hours at 70% lumen maintenance
- Auto resetting, thermally protected, LED's are turned off when safe operating temperatures are exceeded
- Color variation within 3-step MacAdam ellipses
- Flexible disconnect allows for tool-less replacement of LED engine from below ceiling
- Available in 80, 90 or 97 CRI
 - D2W™ – dim-to-warm shifts CCT from 3000K to 1850K as fixture dims mimicking halogen sources.
 - W2N - Tunable white CCT range 2700K to 6500K or 2000K to 5000K, 90 CRI. Standard (requires above ceiling access)

Driver

- 120-277V 0-10V dimming driver provides flicker free dimming from 100% to 1%
- Optional 120V leading edge, <1% 0-10V, Fifth Light, DMX or Lutron® Ecosystem
- W2N, DMX, DE010, and D5LT require above ceiling access and all other drivers can be accessed from above or through the aperture

Code Compliance

- Thermally protected and cULus listed for protected wet locations
- IP66 rated when used with IP66 gasket kit accessory
- Optional City of Chicago environmental air (CCEA) marking for plenum applications
- EMI/RFI emissions per FCC 47CFR Part 18 Class B consumer limits
- IC rated up to 1500 lumens
- 2000 lumen and above are non-IC rated - insulation must be kept 3" from top and sides of housing
- RoHS Compliant
- Photometric testing completed in accordance with IES LM 79 and TM-30 standards
- LED life testing completed in accordance with LM 80 standards

Warranty

- Five year warranty

Energy and Performance Data

Energy Data	
Sound Rating: Class A standards	
(Values at non-dimming line voltage)	
Minimum Starting Temperature: -30°C (-22°F)	
EMI/RFI: FCC Title 47 CFR, Part 15, Class B (Consumer)	
Input Voltage: UNV (120V - 277V)	
Power Factor: >0.90 (at nominal input 120-277 VAC & 100% of Rated Output Power)	
Input Frequency: 50/60Hz	

Lumens	120V		277V	
	Inrush (A)	Duration (ms)	Inrush (A)	Duration (ms)
1000 Lumen D010	1.02	0.041	2.18	0.021
1500 Lumen D010	1.02	0.042	2.24	0.064
2000 Lumen D010	1.02	0.077	2.43	0.027
3000 Lumen D010	1.15	0.067	3.26	0.027

1000 Lumen D010	
Input power: 11W	THD: <14%
120V input current: 0.09A	277V Input Current: 0.04A

1500 Lumen D010	
Input power: 15.5W	THD: <13%
120V input current: 0.13A	277V Input Current: 0.06A

2000 Lumen D010	
Input power: 21.2W	THD: <9%
120V input current: 0.18A	277V Input Current: 0.08A

3000 Lumen D010	
Input power: 27.6W	THD: <10%
120V input current: 0.23A	277V Input Current: 0.10A

Photometric Data

[View IES files](#)

