

DESCRIPTION

6 inch recessed LED wall wash providing glare free, even illumination on vertical surfaces. Featuring a two-stage diffused reflector system producing smooth distribution with excellent light control and low aperture brightness. Lumen packages range from 1000 to 7000 with color temperatures of 2400K, 2700K, 3000K, 3500K, 4000K, and 5000K. VividTune: **Dim-to-warm technology** – similar to halogen at full power, the 3000K LED warms smoothly as dimmed to 1850K creating a rich warm glow within the space. **Tunable white technology** - adjust the color temperature from warm white to cool white while independently controlling intensity.

Catalog #		Type
Project		
Comments		Date
Prepared by		

SPECIFICATION FEATURES

Reflector

Open Wall Wash - wall wash reflector with gradient kicker combined with a lensed upper optical chamber provides superior lumen output, high level vertical illumination with minimal source brightness. Lensed Wall Wash - offered in all Portfolio Alzak® finishes. Reflector is retained with two torsion springs holding the flange tight to the finished ceiling surface.

Plaster Frame / Collar

Die cast aluminum 1-1/2" deep collar accommodates ceiling materials up to 2". Universal mounting bracket accepts 1/2" EMT, C channel and bar hangers and adjusts 5" vertically from above and below the ceiling.

Junction Box

Listed for (8) #12 AWG (four in, four out) 90°C conductors and feed thru branch wiring. (4) 1/2" and (2) 3/4" trade size pry outs positioned to allow straight conduit runs. Lever connectors for simple push in wiring.

Thermal

Aluminum heat sink conducts heat away from the LED module for optimal performance and long life.

LED

Chip on board with a multitude of highly efficient white LED's, combined with a high reflectance upper reflector and convex transitional lens produce even distribution with no pixilation. Lumen output shall not decrease by more than 10% over the minimum life of 55,000 hours

(L90 > 55,000 hours). Auto resetting, thermally protected, LED's are turned off when safe operating temperatures are exceeded. Color variation within 3-step MacAdam ellipses. Flexible disconnect allows for tool-less replacement of LED engine from below ceiling. Available in 80, 90 or 97 CRI.

D2W™ – dim-to-warm shifts CCT from 3000K to 1850K as fixture dims mimicking halogen sources.

W2N - Tunable white CCT range 2700K to 6500K or 2000K to 5000K, 90 CRI.

Driver

Standard 120-277V 0-10V dimming driver provides flicker free dimming from 100% to 1%. Optional 120V leading edge, <1% 0-10V, Fifth Light, DMX or Lutron® Ecosystem. Driver can be serviced from above or through the aperture.

Connected Lighting Systems

Factory installed WaveLinx tile mount sensor kit and Field installed WaveLinx accessory tile mount sensor kit.

The WTA WaveLinx tile mount sensor kit offers daylight dimming, PIR motion sensing control, and optional RLTS - Real Time Location Services available. (Refer to WaveLinx system specifications and application guides for details)

The WTA WaveLinx kit includes control module that mounts on the luminaire electrical junction box via 1/2" knock-out, and tilemount sensor with direct-mount spring clips or for octagon ceiling box with included mounting bracket. (Field mount kit ordered and installed separately).

Enlighted wireless tile mount sensor and relay accessory enables wireless control using a tile mount sensor accessory. Distributed low voltage power system combines power, lighting, and controls with ease of installation.

Code Compliance

Thermally protected and cULus listed for damp locations with covered ceiling. Optional City of Chicago environmental air (CCEA) marking for plenum applications. EMI/RFI emissions per FCC 47CFR Part 18 Class B consumer limits. 2000 lumen and above are Non-IC rated - Insulation must be kept 3" from top and sides of housing. IC rated up to 2000 lumens. 5000 lumens and above are marked spacing and must follow spacing requirements. RoHS Compliant. Photometric testing completed in accordance with IES LM 79. Lumen maintenance projections in accordance with IES LM-80-08 and TM-21-11.

Warranty

5-year warranty



LD6B EU6B 6LBSW 6LBDW 6LBCW 6LBLWW

1000 - 7000 Lumens LED

Single, Double or Corner
Open Wall Wash
Lensed Wall Wash
New Construction

VividTune
color tuning solutions

D2W™



Refer to ENERGY STAR® Qualified Products List.

ENERGY

ENERGY DATA
Sound Rating: Class A standards
(Values at non-dimming line voltage)
Minimum Starting Temperature: -30°C (-22°F)
EM/RFI: FCC Title 47 CFR, Part 15, Class B (Consumer)
Input Voltage: UNV (120V - 277V)
Power Factor: >0.90 (at nominal input 120-277 VAC & 100% of Rated Output Power)
Input Frequency: 50/60Hz

1000 Lumen D010		1500 Lumen D010	
Input Power: 11W	THD: <14%	Input Power: 15.5W	THD: <13%
120V Input Current: 0.09A	277V Input Current: 0.04A	120V Input Current: 0.13A	277V Input Current: 0.06A
2000 Lumen D010		3000 Lumen D010	
Input Power: 21.2W	THD: <9%	Input Power: 27.6W	THD: <10%
120V Input Current: 0.18A	277V Input Current: 0.08A	120V Input Current: 0.23A	277V Input Current: 0.10A
4000 Lumen D010		5000 Lumen D010TE	
Input Power: 41.6W	THD: <13%	Input Power: 57.9W	THD: <14%
120V Input Current: 0.35A	277V Input Current: 0.15A	120V Input Current: 0.49A	277V Input Current: 0.22A
6000 Lumen D010TE		7000 Lumen D010TE	
Input Power: 59.7W	THD: <14%	Input Power: 75.8W	THD: <13%
120V Input Current: 0.50A	277V Input Current: 0.22A	120V Input Current: 0.64A	277V Input Current: 0.29A

Lumens	120V		277V	
	Inrush (A)	Duration (ms)	Inrush (A)	Duration (ms)
1000 Lumen D010	1.02	0.041	2.18	0.021
1500 Lumen D010	1.02	0.042	2.24	0.064
2000 Lumen D010	1.02	0.077	2.43	0.027
3000 Lumen D010	1.15	0.067	3.26	0.027
4000 Lumen D010	1.2	0.088	3.9	0.03
5000 Lumen D010TE	5.1	0.132	10.2	0.153
6000 Lumen D010TE	5.4	0.123	10.8	0.154
7000 Lumen D010TE	4.9	0.13	9.8	0.156

ORDERING INFORMATION

SAMPLE NUMBER: LD6B15D010EMBOD

Housing	Lumens ¹	Voltage	Driver	Options ³
LD6B =LED Downlight 6" Nominal Aperture LD6BCP =LED Downlight 6" Nominal Aperture, Chicago Plenum	10 =1000 lumens 15 =1500 lumens 20 =2000 lumens 30 =3000 lumens 40 =4000 lumens 50 =5000 lumens ⁵ 60 =6000 lumens ⁵ 70 =7000 lumens ⁵	Blank =120-277V 3 =347V (step down transformer)	1000 - 4000 Lumen D010 =0-10V Dimming, 1% to 100%, 120V-277V D010TR =0-10V or Line Voltage Dimming, 5% to 100%, 120V-277V DE010 =0-10V Linear Dimming, 0% to 100%, 120V-277V D5LT =Fifth Light® (DALI) Logarithmic Dimming, 0% to 100%, 120V-277V DMX =DMX/RDM Logarithmic Dimming, 0% to 100%, 120V-277V ⁷ DL2 =Lutron® Hi-Lume Forward Phase Dimming, 1% to 100%, 120V Only DLE =Lutron Ecosystem dimming 1% to 100%, 120V-277V 5000, 6000, and 7000 Lumen D010TE =0-10V 1% or Trailing Edge, 10% to 100%, 120V-277V (120V Only for Trailing Edge Dimming) 1000 - 3000 Lumen DLV =Low voltage dimming driver (1-100%) for use with DLVP system (3000 lumen and below) ^{3,6} Tunable white 1000-2000 Lumens² 1DE010W2N2050 =0-10V dimming, 0% to 100%, 120V, 2000K - 5000K 1DE010W2N2765 =0-10V dimming, 0% to 100%, 120V, 2700K - 6500K 1D5LTW2N2050 =Fifth Light (DALI), 0% to 100%, 120, 2000K - 5000K 1D5LTW2N2765 =Fifth Light (DALI), 0% to 100%, 120V, 2700K - 6500K 2DE010W2N2050 =0-10V dimming, 0% to 100%, 277V, 2000K - 5000K 2DE010W2N2765 =0-10V dimming, 0% to 100%, 277V, 2700K - 6500K 2D5LTW2N2050 =Fifth Light (DALI), 0% to 100%, 277V, 2000K - 5000K 2D5LTW2N2765 =Fifth Light (DALI), 0% to 100%, 277V, 2700K - 6500K	EMBOD =Bodine® Emergency Module with Remote Test Switch EMBOD7ST =Bodine® Emergency Module with Self Test Remote Test Switch EM7 =7W Emergency Module with Remote Test Switch EM14 =14W Emergency Module with Remote Test Switch EMV7 =7W Low Voltage Emergency Module with Remote Test Switch ⁴ EMV14 =14W Low Voltage Emergency Module with Remote Test Switch ⁴ WTA =Factory installed WaveLinX Sensor Kit (WTA = WaveLinX wireless sensor kit for daylight dimming, PIR motion sensing, and optional RLTS - RealTime Location Services, use with D010 only) ⁶ LWTPD1 =Factory installed Enlighted wireless sensor kit

SAMPLE NUMBER: EU6B10208035

Power Module	Lumen Levels ¹	CRI	Color		
EU6B =6" Universal LED Module	1020 =1000, 1500, 2000 lumens 3050 =3000, 4000, 5000 lumens ⁵ 6070 =6000, 7000 lumens ⁵ 1015IC =1000, 1500 lumen IC rated	80 =80 CRI Minimum 90 =90 CRI Minimum 97 =97 CRI Minimum	80 CRI 27 =2700K 30 =3000K 35 =3500K 40 =4000K 50 =5000K	90 CRI 24 =2400K 27 =2700K 30 =3000K 35 =3500K 40 =4000K 50 =5000K	97 CRI 27 =2700K 30 =3000K
	Dim 2 Warm 109030D2W =1000 lumen, 90 CRI, Dim 2 Warm, IC rated 159030D2W =1500 lumen, 90 CRI, Dim 2 Warm, IC rated 209030D2W =2000 lumen, 90 CRI, Dim 2 Warm 309030D2W =3000 lumen, 90 CRI, Dim 2 Warm		Tunable white² 1020W2N902050 =1000, 1500, 2000 lumens, 90 CRI, tunable white 2000K-5000K 1020W2N902765 =1000, 1500, 2000 lumens, 90 CRI, tunable white 2700K-6500K		

SAMPLE NUMBER: 6LBM1LIE

Trim	Distribution ⁵	Flange	Finish
6LB =6" LED	SW =Single Wall Wash DW =Double Wall Wash CW =Corner Wall Wash LWW =Lensed Wall Wash	0 =White Polymer Trim Ring 1 =Self-flanged ⁸ 2 =White Painted Self-flanged	LI =Specular Clear H =Semi-Specular Clear WMH =Warm Haze WH =Wheat GPH =Graphite Haze B =Specular Black MW =Matte White

Accessories

TRM6=Metal Trim Ring, Specify Color²
TRR6=Rimless Trim Ring for Flush Mount²
PRR6=Plaster Lathing Ring²
Bar Hangers
HB26=C-channel Bar Hanger, 26" Long, Pair
HB50=C-channel Bar Hanger, 50" Long, Pair
RMB22=Wood Joist Bar Hanger, 22" Long, Pair
Transformers
H347=347 to 120V Step Down Transformer, 75VA
H347200=347 to 120V Step Down Transformer, 200VA

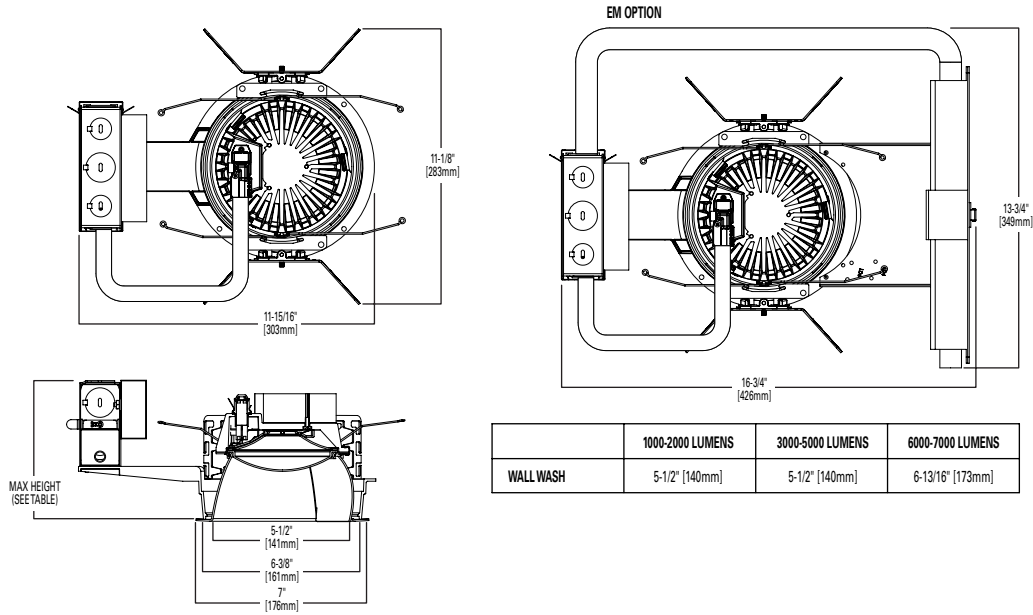
Connected Lighting Systems

PORLWTPD1=Enlighted wireless sensor kit (0-10V only) field installed⁶
WTA=WaveLinX wireless sensor kit for daylight dimming, PIR motion sensing, and optional RLTS - RealTime Location Services, use with D010 only (Refer to WaveLinX system specifications and guides for details) Field installed.⁶

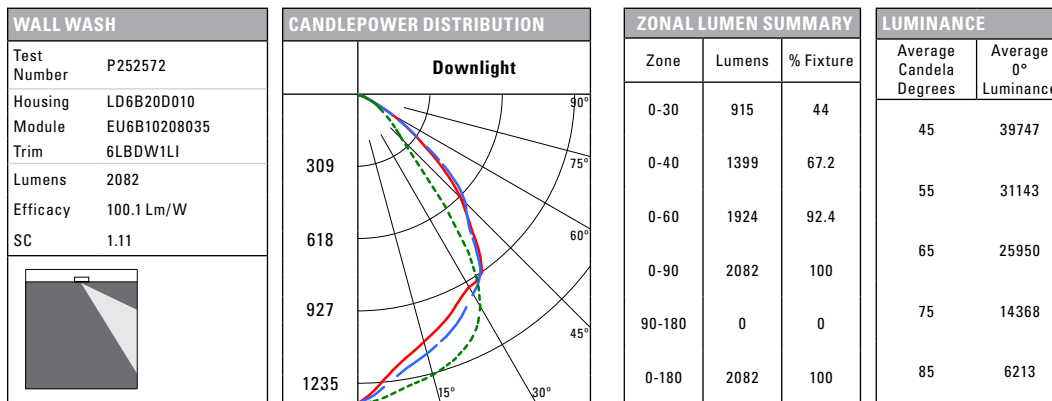
Notes:

- Nominal Lumens will vary depending on selected color, driver and reflector finish.
- Order trim with polymer trim ring (Consult specification sheet for color ordering information and options).
- Not available with Chicago Plenum.
- ULus listed only
- Product is marked spacing and must be installed with the following minimum spacing.
Center to center of adjacent luminaires: 36"
Center of luminaire to side of building member: 18"
Minimum overhead: 1/2"
- Refer to system specifications for additional information, features, and benefits. Order either factory installed option or accessory. Use with 0-10V driver.
- Non-IC
- Flange is the same finish as reflector.

DIMENSIONS



PHOTOMETRY



Single Unit Footcandles 3" from wall (distance from fixture along wall)				
DD	•	1'	2'	3'
1'	8.7	6.7	3.3	1.2
2'	16.6	13.8	8.5	4.2
3'	16.9	14.5	9.6	5.2
4'	15.6	13.9	9.9	5.9
5'	12.6	11.7	9.2	6.2
6'	9.3	8.8	7.5	5.7
7'	6.8	6.5	5.9	4.8
8'	5	4.8	4.5	3.9
9'	3.7	3.6	3.4	3.1
10'	2.8	2.8	2.7	2.5

Multiple Unit Footcandles 3" from wall (spacing between fixtures)					
•	-- 3' --	•	•	-- 4' --	•
9.9	10	9.9	9.1	6.7	9.1
20.8	22.3	20.8	18.2	17	18.2
22.1	24.3	22.1	19.4	19.1	19.4
21.5	24.1	21.5	18.6	19.9	18.6
18.8	21.1	18.8	16.2	18.3	16.2
15	16.6	15	13.1	15	13.1
11.6	12.5	11.6	10.3	11.7	10.3
8.8	9.4	8.8	8.1	9	8.1
6.8	7.1	6.8	6.3	6.9	6.3
5.3	5.5	5.3	5	5.3	5

PHOTOMETRY

WALL WASH		CANDLEPOWER DISTRIBUTION		ZONAL LUMEN SUMMARY			LUMINANCE	
Test Number	P252364			Zone	Lumens	% Fixture	Average Candela Degrees	Average 0° Luminance
Housing	LD6B20D010			0-30	774	41	45	42709
Module	EU6B10208035			0-40	1171	62	55	33043
Trim	6LBLWW1LI			0-60	1702	90.1	65	28111
Lumens	1889			0-90	1889	100	75	25232
Efficacy	90.8 Lm/W	90-180	0	0	85	19762		
SC	1.13	0-180	1889	100				

Single Unit Footcandles 3" from wall (distance from fixture along wall)				
DD	•	1'	2'	3'
1'	12.2	9.7	5.5	2.5
2'	17.5	14.5	9	4.8
3'	18.2	15.5	10.1	5.9
4'	16.2	14.1	9.8	6.1
5'	12.4	11.3	8.5	5.8
6'	9	8.4	6.8	5
7'	6.5	6.2	5.3	4.1
8'	4.7	4.6	4	3.3
9'	3.5	3.4	3.1	2.7
10'	2.7	2.6	2.4	2.1

Multiple Unit Footcandles 3" from wall (spacing between fixtures)					
•	-- 3' --	•	•	-- 4' --	•
14.7	15.2	14.7	13.3	11	13.3
22.3	23.5	22.3	19.9	18.1	19.9
24.1	25.5	24.1	21.4	20.1	21.4
22.3	24.1	22.3	19.8	19.6	19.8
18.2	20	18.2	16	17.1	16
14	15.4	14	12.3	13.7	12.3
10.6	11.5	10.6	9.5	10.5	9.5
8.1	8.7	8.1	7.3	8.1	7.3
6.2	6.6	6.2	5.7	6.2	5.7
4.8	5.1	4.8	4.5	4.8	4.5

WALL WASH		CANDLEPOWER DISTRIBUTION		ZONAL LUMEN SUMMARY			LUMINANCE	
Test Number	P252156			Zone	Lumens	% Fixture	Average Candela Degrees	Average 0° Luminance
Housing	LD6B20D010			0-30	1223	46	45	54537
Module	EU6B10208035			0-40	1907	71.7	55	40174
Trim	6LBSW1LI			0-60	2528	95.1	65	35212
Lumens	2659			0-90	2659	100	75	25938
Efficacy	127.8 Lm/W	90-180	0	0	85	16693		
SC	1.26	0-180	2659	100				

Single Unit Footcandles 3" from wall (distance from fixture along wall)				
DD	•	1'	2'	3'
1'	13.9	10.9	5.8	2.4
2'	21.3	17.4	10.7	5.6
3'	23.2	19.7	12.6	6.5
4'	21	18.6	13.5	7.9
5'	16	14.8	12	8.3
6'	11.6	11	9.6	7.4
7'	8.3	8	7.3	6.1
8'	6	5.9	5.5	4.9
9'	4.5	4.4	4.2	3.9
10'	3.4	3.4	3.3	3.1

Multiple Unit Footcandles 3" from wall (spacing between fixtures)					
•	-- 3' --	•	•	-- 4' --	•
16.3	16.5	16.3	14.9	11.6	14.9
26.8	28.1	26.8	23.9	21.4	23.9
29.8	32.5	29.8	26.5	25.2	26.5
28.9	32.6	28.9	25	27.1	25
24.3	27.2	24.3	20.9	24	20.9
19	20.7	19	16.8	19.1	16.8
14.4	15.4	14.4	13	14.6	13
10.9	11.5	10.9	10.1	11.1	10.1
8.4	8.7	8.4	7.9	8.4	7.9
6.5	6.7	6.5	6.2	6.5	6.2