

DESCRIPTION

2- inch LED recessed downlight with excellent light control and low aperture brightness. Offered with 15°, 25°, 40°, 55° or wall wash optic producing a smooth distribution. Lumen packages ranging from 500 to 2000 with color temperatures of 2400K, 2700K, 3000K, 3500K, 4000K and 5000K, in 80, 90 or 97CRI. Dim to warm technology – similar to halogen at full power, the 3000K LED warms smoothly as dimmed to 1850K creating a rich warm glow within the space. Tunable white technology - adjust the color temperature from warm white to cool white while independently controlling intensity.

Catalog #		Type
Project		
Comments		Date
Prepared by		

SPECIFICATION FEATURES

Lower Reflector

Round or square painted die cast aluminum or round anodized aluminum lower reflector with a lensed upper optical chamber providing superior lumen output with minimal source brightness. Anodized reflectors are offered in all Portfolio Alzak® finishes. Plaster lathing ring accessory offered for flush reflector transition.

Trim Retention

Reflector is retained with three or four pressure springs holding the flange tight to the finished ceiling surface.

Optic

TIR optic in 15°, 25°, 40, 55° or wall wash provides smooth beam without color separation. Media holder fits onto upper reflector and holds up one lens media. For non-lens trims only.

Plaster Frame / Collar

New Construction

Galvanized steel plaster frame designed for ceiling thickness from 1/2 to 1-1/4-inch.

Retrofit

Installs from below.

Universal Mounting Bracket

Accepts 1/2" EMT, C channel and bar hangers.

Junction Box

(4) 1/2" trade size pry outs positioned to allow straight conduit runs. Listed for (4) #12AWG (two in, two out) 90°C conductors and feed thru branch wiring. Lever connectors for simple push in wiring.

Thermal

Forged aluminum heat sink conducts heat away from the LED COB for optimal performance and long life.

LED

Chip on board with a multitude of highly efficient white LED's, combined with TIR optic produces an even distribution with no pixilation. Lumen output shall not decrease by more than 10% over the minimum life of 55,000 hours (L90 > 55,000 hours). Auto resetting, thermally protected, LED's are turned off when safe operating temperatures are exceeded. Color variation within 3-step MacAdam ellipses. Flexible disconnect allows for replacement of LED engine from below ceiling. Available in 80, 90 or 97 CRI. D2W™ – dim-to-warm shifts CCT from 3000K to 1850K as fixture dims mimicking halogen sources. W2N - Tunable white CCT range 2700K to 6500K or 2000K to 5000K, 90 CRI.

Driver

Standard 120-277V 0-10V dimming driver provides flicker free dimming from 100% to 1%. Optional 120V leading edge, <1% 0-10V, Fifth Light, DMX or Lutron® Ecosystem. Driver can be serviced from above or through the aperture with standard D010 driver. Other drivers require above ceiling access.

Connected Lighting Systems

Factory installed WaveLinX tile mount sensor kit and Field installed WaveLinX accessory tile mount sensor kit. The WTA WaveLinX tile mount sensor kit offers daylight dimming, PIR motion sensing control, and optional RLTS - Real Time Location Services available. (Refer to WaveLinX system specifications and application guides for details)

The WTA WaveLinX kit includes control module that mounts on the luminaire electrical junction box via 1/2" knock-out, and tilemount sensor

with direct-mount spring clips or for octagon ceiling box with included mounting bracket. (Field mount kit ordered and installed separately).

Enlighted wireless tile mount sensor and relay accessory enables wireless control using a tile mount sensor accessory.

Distributed low voltage power system combines power, lighting, and controls with ease of installation.

Code Compliance

Thermally protected and cULus listed for protected damp locations with open trims and cULus listed for protected wet locations with lensed trims. EMI/RFI emissions per FCC 47CFR Part 18 Class B consumer limits. Optional City of Chicago environmental air (CCEA) marking for plenum applications. 1500 lumen and above are Non-IC rated - Insulation must be kept 3" from top and sides of housing. IC-rated up to 1000 lumens (except wall wash).

RoHS Compliant. Photometric testing completed in accordance with IES LM 79 and TM-30 standards. Lumen maintenance projections in accordance with IES LM-80-08 and TM-21-11.

Warranty

5-year warranty



LD2B EU2B 2LB

500, 1000, 1500, 2000 Lumens
LED

2-Inch

Spun or Die Cast Aluminum

Downlight or Wall Wash

New Construction or Retrofit

2x4 and 2x6



Can be used to comply with California Title 24 High Efficacy requirements. Certified to California Title 20 Appliance Efficiency Database.

ENERGY

ENERGY DATA
Sound Rating: Class A standards (Values at non-dimming line voltage)
Minimum Starting Temperature: -30°C (-22°F)
EMI/RFI: FCC Title 47 CFR, Part 15, Class B (Consumer)
Input Voltage: UNV (120V - 277V)
Power Factor: >0.90 (at nominal input 120-277 VAC & 100% of Rated Output Power)
Input Frequency: 50/60Hz

500 Lumen D010		1000 Lumen D010	
Input Power: 7.38W	THD: <14.4%	Input Power: 11W	THD: <13.8%
120V Input Current: 0.06A	277V Input Current: 0.03A	120V Input Current: 0.086A	277V Input Current: 0.042A
1500 Lumen D010		2000 Lumen D010	
Input Power: 15.05W	THD: <13.0%	Input Power: 21.2W	THD: <8.6%
120V Input Current: 0.13A	277V Input Current: 0.06A	120V Input Current: 0.18A	277V Input Current: 0.081A

Lumens	120V		277V	
	Inrush (A)	Duration (ms)	Inrush (A)	Duration (ms)
500 Lumen D010	0.64	0.05	1.4	0.04
1000 Lumen D010	1.02	0.041	2.18	0.021
1500 Lumen D010	1.02	1.02	2.24	0.064
2000 Lumen D010	1.02	0.077	2.43	0.027

ORDERING INFORMATION

SAMPLE NUMBER: LD2B15D010

Housing	Lumens ¹	Voltage	Driver	Options
LD2B=New Construction Downlight 2" 2000 lumen LDRT2B=Remodel Downlight 2" limit to 1500 lumen LD2BCP=LED Downlight 2" Nominal Aperture, Chicago Plenum ¹²	5=500 lumens 10=1000 lumens 15=1500 lumens 20=2000 lumens	Blank=120-277V 3=347V 0-10V only 1000-2000 lumens	500 - 2000 Lumens D010=0-10V Dimming, 1% to 100%, 120V-277V DLV=Low voltage dimming driver (1-100%) for use with DLVP system ⁵ 1000 - 2000 Lumens D010TR=0-10V or Line Voltage Dimming, 1% to 100%, 120V-277V DE010=0-10V Linear Dimming, 0% to 100%, 120V-277V ⁶ D5LT=Fifth Light [®] (DALI) Logarithmic Dimming, 0% to 100%, 120V-277V ⁶ DMX=DMX/RDM Logarithmic Dimming, 0% to 100%, 120V-277V ^{6,9} DMXC5=DMX/RDM Logarithmic Dimming, 0% to 100%, 120V-277V, with RJ45 connection ^{6,9} DL2=Lutron [®] Hi-Lume Forward Phase Dimming, 1% to 100%, 120V Only ⁶ DLE=Lutron Ecosystem dimming 1% to 100%, 120V-277V ⁶ Tunable White D5LTW2N2050 = Fifth Light (DALI) 0-100%, 120-277V, 2000K-5000K D5LTW2N2765 = Fifth Light (DALI) 0-100%, 120-277V, 2000K-5000K DE010W2N2050 =0-10V dimming, 0-100%, 120-277V, 2000K-5000K DE010W2N2765 0-10V dimming, 0-100%, 120-277V, 2700K-6500K	EMBOD=Bodine [®] Emergency Module with Remote Test Switch ⁶ EMBOD7ST=Bodine [®] Emergency Module with Self Test Remote Test Switch ⁶ EM7=7W Emergency Module with Remote Test Switch ⁶ EM14=14W Emergency Module with Remote Test Switch ⁶ EMV7=7W Low Voltage Emergency Module with Remote Test Switch ⁶ EMV14=14W Low Voltage Emergency Module with Remote Test Switch ⁶ WTA=Factory installed WaveLinX Sensor Kit (WTA = WaveLinX wireless sensor kit for daylight dimming, PIR motion sensing, and optional RLTS - RealTime Location Services, use with D010 only) ^{6,10} LWTPD1=Factory installed Enlighted wireless sensor kit ^{6,10}

SAMPLE NUMBER: EU2B158035

Power Module	Lumen Levels / Distribution ¹ / Optic	CRI	Color		
EU2B=2" Universal LED Module	05SP15=500 lumen 15° IC Rated 05WW=500 lumen wall wash IC Rated ⁸ 10SP15=1000 lumen 15° IC Rated 10WW=1000 lumen wall wash Non-IC Rated ⁸ 0510NFL25=500 and 1000 lumen 25° IC Rated 0510FL40=500 and 1000 lumen 40° IC Rated 0510WFL55=500 and 1000 lumen 55° IC Rated 15NFL25=1500 lumen 25° Non IC Rated 15FL40=1500 lumen 40° Non IC Rated 15WFL55=1500 lumen 55° Non IC Rated 15WW=1500 lumen wall wash Non IC Rated ⁸ 20NFL25=2000 lumen 25° Non IC Rated 20FL40=2000 lumen 40° Non IC Rated 20WFL55=2000 lumen 55° Non IC Rated	80=80 CRI minimum 90=90 CRI minimum 97=97 CRI minimum	80 CRI 27=2700K 30=3000K 35=3500K 40=4000K 50=5000K	90 CRI 24=2400K 27=2700K 30=3000K 35=3500K 40=4000K 50=5000K	97 CRI 27=2700K 30=3000K
		Dim to Warm (1500 lumens and below) 10NFL259030D2W=1000 lumen 25° IC Rated 15NFL259030D2W=1500 lumen 25° Non-IC 10FL409030D2W=1000 lumen 40° IC Rated 15FL409030D2W=1500 lumen 40° Non-IC 10WFL559030D2W=1000 lumen 55° IC Rated 15WFL559030D2W=1500 lumen 55° Non-IC	Tunable White ¹¹ W2N902050 = 1000 lumen 40° 2000K-5000K W2N902765 = 1000 lumen 40° 2700K-6500K		

SAMPLE NUMBER: 2LBD1LI

Trim	Reflector	Flange	Finish
2LB=2" LED	D=Round downlight spun reflector SW=Round lensed Wall Wash, Spun Aluminum, Splay black oculus SWW=Round lensed Wall Wash, Spun Aluminum, Splay white oculus DL=Round Downlight lensed spun reflector DC=Round Cast Downlight ² DLC=Round Lensed cast downlight ² PIN=Round Pinhole downlight black oculus ³ PINW=Round Pinhole downlight white oculus ³ DSQC=Square Cast Downlight ² DSQLC=Square Lensed cast shallow downlight ²	1=Self-flanged ⁷ 2=White Painted Self-flanged ¹¹ 3=Rimless ³ Blank=Pinhole	LI=Specular Clear ⁴ H=Semi-Specular Clear ⁴ WMH=Warm Haze ⁴ WH=Wheat ⁴ GPH=Graphite Haze ⁴ B=Specular Black ⁴ MW=Matte White MB=Matte Black ³ MMS=Matte Metallic Silver ³

Accessories

RPR2=Round plaster lathing ring (order with rimless option)

Bar Hangers

HB26=Pair C-channel bar hanger, 26" long

RMB22=Pair wood joist bar hanger 22" long

Connected Lighting Systems

PORLWTPD1=Enlighted wireless sensor kit (0-10V only) field installed^{6,10}WTA=WaveLinX wireless sensor kit for daylight dimming, PIR motion sensing, and optional
RLTS - RealTime Location Services, use with D010 only (Refer to WaveLinX system
specifications and guides for details) Field installed^{6,10}

L100 lenses - optical lenses

L110N=Diffuse Sandblasted Lens: Provides an even beam spread - especially useful in wall washing.

L111=Soft Focus Lens: Smooths irregular beam pattern while maintaining high controlled illumination
levels and beam angles.L113=Prismatic Spread Lens: Provides a symmetrical broadening of lamp beam. Suitable when a
wide, uniform light distribution is required.L115=Linear Spread Lens: Fans out the beam 55° (27-1/2° to each side) to produce a wide
rectangular pattern.

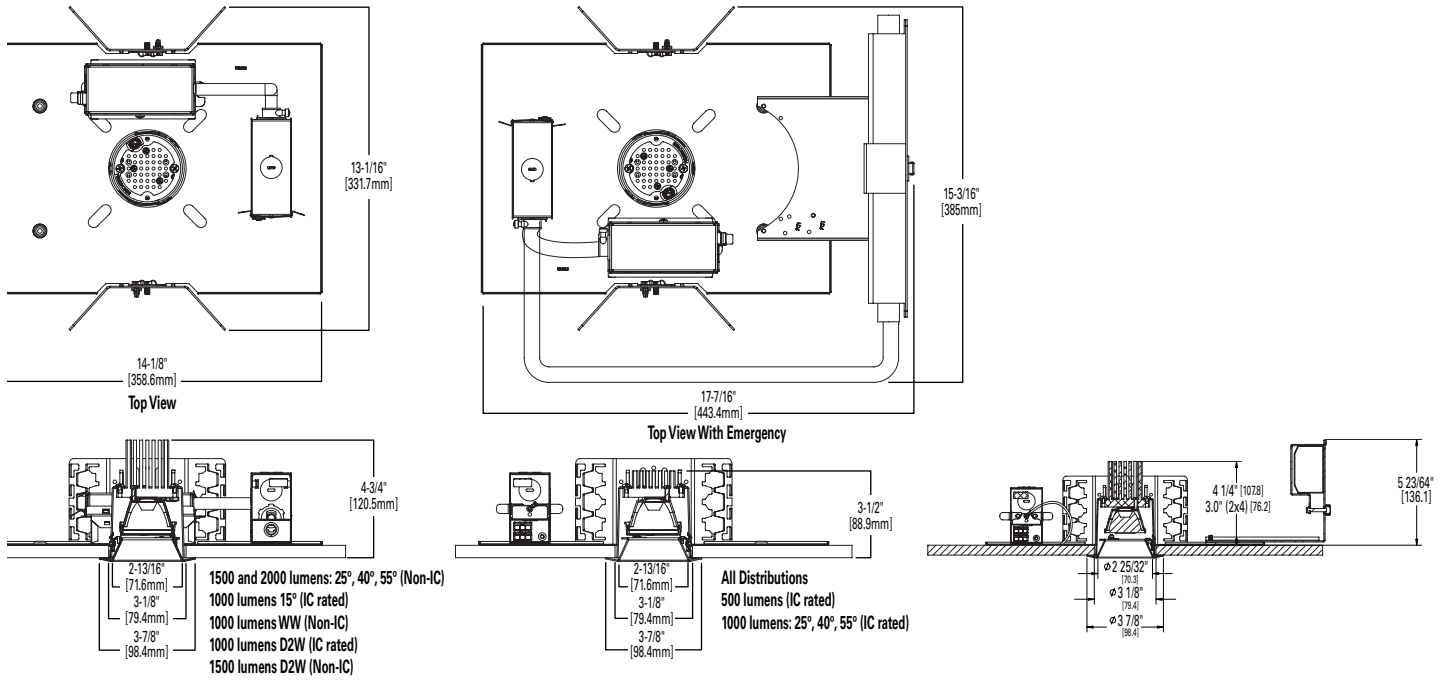
L100MB=Black finished metal hexagonal-cell louver - controls light spill while retaining lamp optics.

Notes:

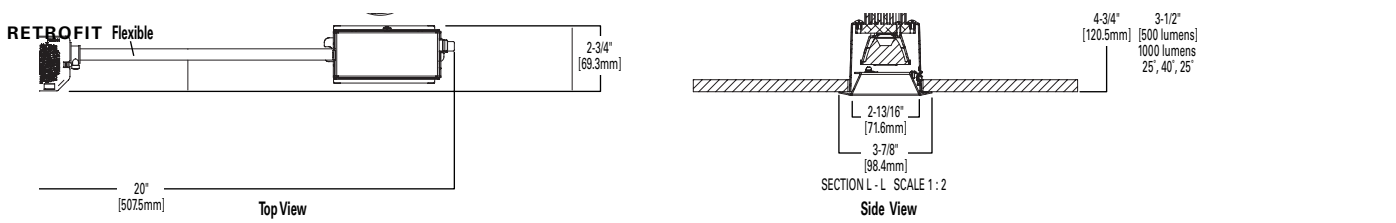
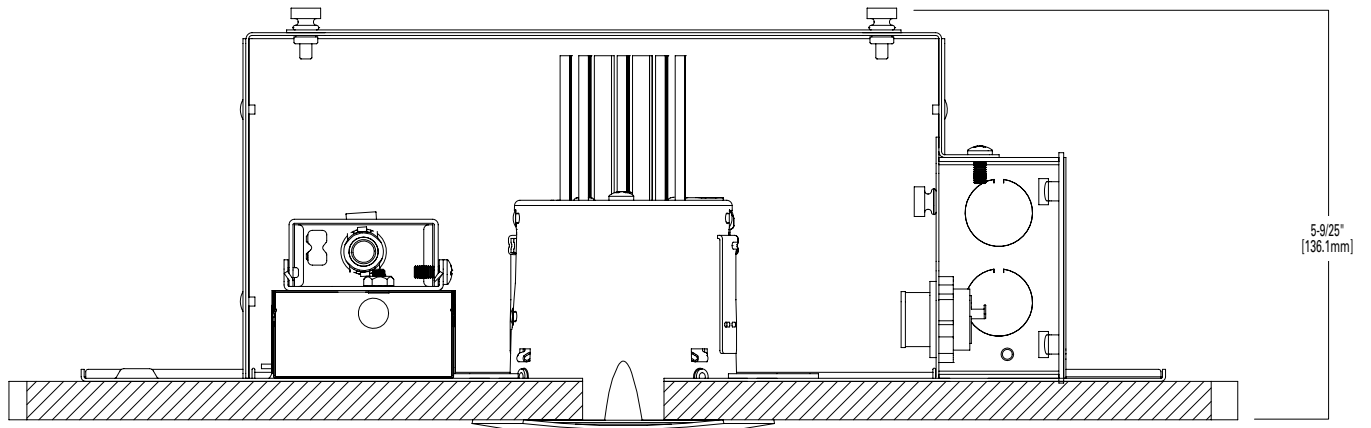
- Nominal Lumens will vary depending on selected distribution, color, driver and reflector finish.
- Only available with Matte White, Matte metallic silver and Matte Black Finishes.
- Available on DC, DLC and PIN.
- Not available on DC or PIN.
-
- DMX, D5LT, DE010, DLC, Lutron, connected and emergency module drivers require accessible ceiling.
- Flange is the same finish as reflector.
- Order with 2LBSW Wall Wash trim.
- DMX fixtures default to full on upon loss of DMX signal.
- Refer to system specifications for additional information, features, and benefits. Order either factory installed option or accessory. Use with 0-10V driver.
- Not available with Wall Wash.
- Limited to 1000 lumens.
- Available with D010 driver only.

DIMENSIONS

NEW CONSTRUCTION



CHICAGO PLENUM



PHOTOMETRY

SPOT (15° BEAM)		CANDLEPOWER DISTRIBUTION		CONE OF LIGHT		CANDELA TABLE		ZONAL LUMEN SUMMARY			LUMINANCE																																																																																
Test Number	P264029					Degrees Vertical	Candela	Zone	Lumens	% Fixture	Average Candela Degrees	Average 0° Luminance																																																																															
Housing	LD2B10D010					0	9316	0-30	945	97	45	4884																																																																															
Module	EU2B1010SP158035					5	7438	0-40	965	99.1	55	1720																																																																															
Trim	2LBD*LI					15	976	0-60	973	99.9	65	1167																																																																															
Lumens	974					25	141	0-90	974	100	75	0																																																																															
Efficacy	94.6 Lm/W	35	30	90-180	0	0	85	0																																																																																			
SC	0.28	45	7	0-180	974	100																																																																																					
		<table border="1"> <thead> <tr> <th>D</th> <th>FC</th> <th>L</th> <th>W</th> </tr> </thead> <tbody> <tr> <td>4'</td> <td>582.2</td> <td>1</td> <td>1</td> </tr> <tr> <td>7'</td> <td>190.1</td> <td>1.8</td> <td>1.8</td> </tr> <tr> <td>9'</td> <td>115</td> <td>2.4</td> <td>2.4</td> </tr> <tr> <td>13'</td> <td>55.1</td> <td>3.6</td> <td>3.6</td> </tr> <tr> <td>16'</td> <td>36.4</td> <td>4.4</td> <td>4.4</td> </tr> </tbody> </table>		D	FC	L	W	4'	582.2	1	1	7'	190.1	1.8	1.8	9'	115	2.4	2.4	13'	55.1	3.6	3.6	16'	36.4	4.4	4.4	<table border="1"> <thead> <tr> <th>Degrees Vertical</th> <th>Candela</th> </tr> </thead> <tbody> <tr><td>0</td><td>9316</td></tr> <tr><td>5</td><td>7438</td></tr> <tr><td>15</td><td>976</td></tr> <tr><td>25</td><td>141</td></tr> <tr><td>35</td><td>30</td></tr> <tr><td>45</td><td>7</td></tr> <tr><td>55</td><td>2</td></tr> <tr><td>65</td><td>1</td></tr> <tr><td>75</td><td>0</td></tr> <tr><td>85</td><td>0</td></tr> <tr><td>90</td><td>0</td></tr> </tbody> </table>		Degrees Vertical	Candela	0	9316	5	7438	15	976	25	141	35	30	45	7	55	2	65	1	75	0	85	0	90	0	<table border="1"> <thead> <tr> <th>Zone</th> <th>Lumens</th> <th>% Fixture</th> </tr> </thead> <tbody> <tr><td>0-30</td><td>945</td><td>97</td></tr> <tr><td>0-40</td><td>965</td><td>99.1</td></tr> <tr><td>0-60</td><td>973</td><td>99.9</td></tr> <tr><td>0-90</td><td>974</td><td>100</td></tr> <tr><td>90-180</td><td>0</td><td>0</td></tr> <tr><td>0-180</td><td>974</td><td>100</td></tr> </tbody> </table>			Zone	Lumens	% Fixture	0-30	945	97	0-40	965	99.1	0-60	973	99.9	0-90	974	100	90-180	0	0	0-180	974	100	<table border="1"> <thead> <tr> <th>Average Candela Degrees</th> <th>Average 0° Luminance</th> </tr> </thead> <tbody> <tr><td>45</td><td>4884</td></tr> <tr><td>55</td><td>1720</td></tr> <tr><td>65</td><td>1167</td></tr> <tr><td>75</td><td>0</td></tr> <tr><td>85</td><td>0</td></tr> </tbody> </table>		Average Candela Degrees	Average 0° Luminance	45	4884	55	1720	65	1167	75	0	85	0
		D	FC	L	W																																																																																						
		4'	582.2	1	1																																																																																						
		7'	190.1	1.8	1.8																																																																																						
		9'	115	2.4	2.4																																																																																						
13'	55.1	3.6	3.6																																																																																								
16'	36.4	4.4	4.4																																																																																								
Degrees Vertical	Candela																																																																																										
0	9316																																																																																										
5	7438																																																																																										
15	976																																																																																										
25	141																																																																																										
35	30																																																																																										
45	7																																																																																										
55	2																																																																																										
65	1																																																																																										
75	0																																																																																										
85	0																																																																																										
90	0																																																																																										
Zone	Lumens	% Fixture																																																																																									
0-30	945	97																																																																																									
0-40	965	99.1																																																																																									
0-60	973	99.9																																																																																									
0-90	974	100																																																																																									
90-180	0	0																																																																																									
0-180	974	100																																																																																									
Average Candela Degrees	Average 0° Luminance																																																																																										
45	4884																																																																																										
55	1720																																																																																										
65	1167																																																																																										
75	0																																																																																										
85	0																																																																																										

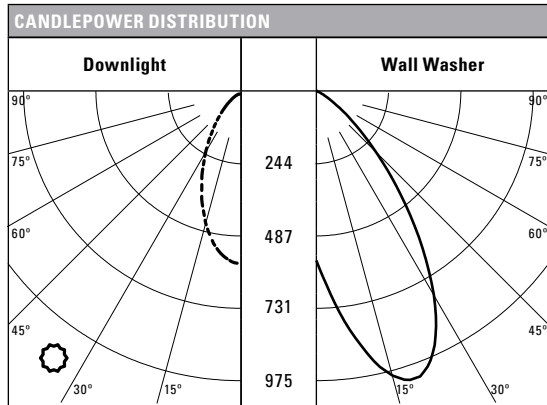
FLOOD (25° BEAM)		CANDLEPOWER DISTRIBUTION		CONE OF LIGHT		CANDELA TABLE		ZONAL LUMEN SUMMARY			LUMINANCE																																																																																
Test Number	P218711					Degrees Vertical	Candela	Zone	Lumens	% Fixture	Average Candela Degrees	Average 0° Luminance																																																																															
Housing	LD2B10D010					0	6104	0-30	987	96.2	45	3836																																																																															
Module	EU2B0510NFL258035					5	5611	0-40	1019	99.3	55	676																																																																															
Trim	2LBD*LI					15	1236	0-60	1026	100	65	0																																																																															
Lumens	1026					25	229	0-90	1026	100	75	0																																																																															
Efficacy	99.6 Lm/W	35	51	90-180	0	0	85	0																																																																																			
SC	0.39	45	7	0-180	1026	100																																																																																					
		<table border="1"> <thead> <tr> <th>D</th> <th>FC</th> <th>L</th> <th>W</th> </tr> </thead> <tbody> <tr> <td>4'</td> <td>382</td> <td>1.4</td> <td>1.4</td> </tr> <tr> <td>7'</td> <td>125</td> <td>2.6</td> <td>2.6</td> </tr> <tr> <td>9'</td> <td>75</td> <td>3.4</td> <td>3.4</td> </tr> <tr> <td>13'</td> <td>36</td> <td>5</td> <td>5</td> </tr> <tr> <td>16'</td> <td>24</td> <td>6</td> <td>6</td> </tr> </tbody> </table>		D	FC	L	W	4'	382	1.4	1.4	7'	125	2.6	2.6	9'	75	3.4	3.4	13'	36	5	5	16'	24	6	6	<table border="1"> <thead> <tr> <th>Degrees Vertical</th> <th>Candela</th> </tr> </thead> <tbody> <tr><td>0</td><td>6104</td></tr> <tr><td>5</td><td>5611</td></tr> <tr><td>15</td><td>1236</td></tr> <tr><td>25</td><td>229</td></tr> <tr><td>35</td><td>51</td></tr> <tr><td>45</td><td>7</td></tr> <tr><td>55</td><td>1</td></tr> <tr><td>65</td><td>0</td></tr> <tr><td>75</td><td>0</td></tr> <tr><td>85</td><td>0</td></tr> <tr><td>90</td><td>0</td></tr> </tbody> </table>		Degrees Vertical	Candela	0	6104	5	5611	15	1236	25	229	35	51	45	7	55	1	65	0	75	0	85	0	90	0	<table border="1"> <thead> <tr> <th>Zone</th> <th>Lumens</th> <th>% Fixture</th> </tr> </thead> <tbody> <tr><td>0-30</td><td>987</td><td>96.2</td></tr> <tr><td>0-40</td><td>1019</td><td>99.3</td></tr> <tr><td>0-60</td><td>1026</td><td>100</td></tr> <tr><td>0-90</td><td>1026</td><td>100</td></tr> <tr><td>90-180</td><td>0</td><td>0</td></tr> <tr><td>0-180</td><td>1026</td><td>100</td></tr> </tbody> </table>			Zone	Lumens	% Fixture	0-30	987	96.2	0-40	1019	99.3	0-60	1026	100	0-90	1026	100	90-180	0	0	0-180	1026	100	<table border="1"> <thead> <tr> <th>Average Candela Degrees</th> <th>Average 0° Luminance</th> </tr> </thead> <tbody> <tr><td>45</td><td>3836</td></tr> <tr><td>55</td><td>676</td></tr> <tr><td>65</td><td>0</td></tr> <tr><td>75</td><td>0</td></tr> <tr><td>85</td><td>0</td></tr> </tbody> </table>		Average Candela Degrees	Average 0° Luminance	45	3836	55	676	65	0	75	0	85	0
		D	FC	L	W																																																																																						
		4'	382	1.4	1.4																																																																																						
		7'	125	2.6	2.6																																																																																						
		9'	75	3.4	3.4																																																																																						
13'	36	5	5																																																																																								
16'	24	6	6																																																																																								
Degrees Vertical	Candela																																																																																										
0	6104																																																																																										
5	5611																																																																																										
15	1236																																																																																										
25	229																																																																																										
35	51																																																																																										
45	7																																																																																										
55	1																																																																																										
65	0																																																																																										
75	0																																																																																										
85	0																																																																																										
90	0																																																																																										
Zone	Lumens	% Fixture																																																																																									
0-30	987	96.2																																																																																									
0-40	1019	99.3																																																																																									
0-60	1026	100																																																																																									
0-90	1026	100																																																																																									
90-180	0	0																																																																																									
0-180	1026	100																																																																																									
Average Candela Degrees	Average 0° Luminance																																																																																										
45	3836																																																																																										
55	676																																																																																										
65	0																																																																																										
75	0																																																																																										
85	0																																																																																										

FLOOD (40° BEAM)		CANDLEPOWER DISTRIBUTION		CONE OF LIGHT		CANDELA TABLE		ZONAL LUMEN SUMMARY			LUMINANCE																																																																																
Test Number	P218754					Degrees Vertical	Candela	Zone	Lumens	% Fixture	Average Candela Degrees	Average 0° Luminance																																																																															
Housing	LD2B10D010					0	2577	0-30	938	90.2	45	10412																																																																															
Module	EU2B0510FL408035					5	2467	0-40	1020	98.0	55	2702																																																																															
Trim	2LBD*LI					15	1626	0-60	1040	99.9	65	0																																																																															
Lumens	1041					25	581	0-90	1041	100	75	0																																																																															
Efficacy	101 Lm/W	35	120	90-180	0	0	85	0																																																																																			
SC	0.59	45	19	0-180	1041	100																																																																																					
		<table border="1"> <thead> <tr> <th>D</th> <th>FC</th> <th>L</th> <th>W</th> </tr> </thead> <tbody> <tr> <td>4'</td> <td>161</td> <td>2.2</td> <td>2.2</td> </tr> <tr> <td>7'</td> <td>53</td> <td>4</td> <td>4</td> </tr> <tr> <td>9'</td> <td>32</td> <td>5.2</td> <td>5.2</td> </tr> <tr> <td>13'</td> <td>15</td> <td>7.6</td> <td>7.6</td> </tr> <tr> <td>16'</td> <td>10</td> <td>9.4</td> <td>9.4</td> </tr> </tbody> </table>		D	FC	L	W	4'	161	2.2	2.2	7'	53	4	4	9'	32	5.2	5.2	13'	15	7.6	7.6	16'	10	9.4	9.4	<table border="1"> <thead> <tr> <th>Degrees Vertical</th> <th>Candela</th> </tr> </thead> <tbody> <tr><td>0</td><td>2577</td></tr> <tr><td>5</td><td>2467</td></tr> <tr><td>15</td><td>1626</td></tr> <tr><td>25</td><td>581</td></tr> <tr><td>35</td><td>120</td></tr> <tr><td>45</td><td>19</td></tr> <tr><td>55</td><td>4</td></tr> <tr><td>65</td><td>0</td></tr> <tr><td>75</td><td>0</td></tr> <tr><td>85</td><td>0</td></tr> <tr><td>90</td><td>0</td></tr> </tbody> </table>		Degrees Vertical	Candela	0	2577	5	2467	15	1626	25	581	35	120	45	19	55	4	65	0	75	0	85	0	90	0	<table border="1"> <thead> <tr> <th>Zone</th> <th>Lumens</th> <th>% Fixture</th> </tr> </thead> <tbody> <tr><td>0-30</td><td>938</td><td>90.2</td></tr> <tr><td>0-40</td><td>1020</td><td>98.0</td></tr> <tr><td>0-60</td><td>1040</td><td>99.9</td></tr> <tr><td>0-90</td><td>1041</td><td>100</td></tr> <tr><td>90-180</td><td>0</td><td>0</td></tr> <tr><td>0-180</td><td>1041</td><td>100</td></tr> </tbody> </table>			Zone	Lumens	% Fixture	0-30	938	90.2	0-40	1020	98.0	0-60	1040	99.9	0-90	1041	100	90-180	0	0	0-180	1041	100	<table border="1"> <thead> <tr> <th>Average Candela Degrees</th> <th>Average 0° Luminance</th> </tr> </thead> <tbody> <tr><td>45</td><td>10412</td></tr> <tr><td>55</td><td>2702</td></tr> <tr><td>65</td><td>0</td></tr> <tr><td>75</td><td>0</td></tr> <tr><td>85</td><td>0</td></tr> </tbody> </table>		Average Candela Degrees	Average 0° Luminance	45	10412	55	2702	65	0	75	0	85	0
		D	FC	L	W																																																																																						
		4'	161	2.2	2.2																																																																																						
		7'	53	4	4																																																																																						
		9'	32	5.2	5.2																																																																																						
13'	15	7.6	7.6																																																																																								
16'	10	9.4	9.4																																																																																								
Degrees Vertical	Candela																																																																																										
0	2577																																																																																										
5	2467																																																																																										
15	1626																																																																																										
25	581																																																																																										
35	120																																																																																										
45	19																																																																																										
55	4																																																																																										
65	0																																																																																										
75	0																																																																																										
85	0																																																																																										
90	0																																																																																										
Zone	Lumens	% Fixture																																																																																									
0-30	938	90.2																																																																																									
0-40	1020	98.0																																																																																									
0-60	1040	99.9																																																																																									
0-90	1041	100																																																																																									
90-180	0	0																																																																																									
0-180	1041	100																																																																																									
Average Candela Degrees	Average 0° Luminance																																																																																										
45	10412																																																																																										
55	2702																																																																																										
65	0																																																																																										
75	0																																																																																										
85	0																																																																																										

WIDE FLOOD (55° BEAM)		CANDLEPOWER DISTRIBUTION		CONE OF LIGHT		CANDELA TABLE		ZONAL LUMEN SUMMARY			LUMINANCE																																																																																
Test Number	P218801					Degrees Vertical	Candela	Zone	Lumens	% Fixture	Average Candela Degrees	Average 0° Luminance																																																																															
Housing	LD2B10D010					0	1309	0-30	674	68.5	45	57541																																																																															
Module	EU2B0510WFL558035					5	1250	0-40	873	88.7	55	18916																																																																															
Trim	2LBD*LI					15	959	0-60	984	99.9	65	0																																																																															
Lumens	985					25	644	0-90	985	100	75	0																																																																															
Efficacy	95.6 Lm/W	35	313	90-180	0	0	85	0																																																																																			
SC	0.73	45	105	0-180	985	100																																																																																					
		<table border="1"> <thead> <tr> <th>D</th> <th>FC</th> <th>L</th> <th>W</th> </tr> </thead> <tbody> <tr> <td>4'</td> <td>82</td> <td>2.8</td> <td>2.8</td> </tr> <tr> <td>7'</td> <td>27</td> <td>5</td> <td>5</td> </tr> <tr> <td>9'</td> <td>16</td> <td>6.6</td> <td>6.6</td> </tr> <tr> <td>13'</td> <td>8</td> <td>9.4</td> <td>9.4</td> </tr> <tr> <td>16'</td> <td>5</td> <td>11.6</td> <td>11.6</td> </tr> </tbody> </table>		D	FC	L	W	4'	82	2.8	2.8	7'	27	5	5	9'	16	6.6	6.6	13'	8	9.4	9.4	16'	5	11.6	11.6	<table border="1"> <thead> <tr> <th>Degrees Vertical</th> <th>Candela</th> </tr> </thead> <tbody> <tr><td>0</td><td>1309</td></tr> <tr><td>5</td><td>1250</td></tr> <tr><td>15</td><td>959</td></tr> <tr><td>25</td><td>644</td></tr> <tr><td>35</td><td>313</td></tr> <tr><td>45</td><td>105</td></tr> <tr><td>55</td><td>28</td></tr> <tr><td>65</td><td>0</td></tr> <tr><td>75</td><td>0</td></tr> <tr><td>85</td><td>0</td></tr> <tr><td>90</td><td>0</td></tr> </tbody> </table>		Degrees Vertical	Candela	0	1309	5	1250	15	959	25	644	35	313	45	105	55	28	65	0	75	0	85	0	90	0	<table border="1"> <thead> <tr> <th>Zone</th> <th>Lumens</th> <th>% Fixture</th> </tr> </thead> <tbody> <tr><td>0-30</td><td>674</td><td>68.5</td></tr> <tr><td>0-40</td><td>873</td><td>88.7</td></tr> <tr><td>0-60</td><td>984</td><td>99.9</td></tr> <tr><td>0-90</td><td>985</td><td>100</td></tr> <tr><td>90-180</td><td>0</td><td>0</td></tr> <tr><td>0-180</td><td>985</td><td>100</td></tr> </tbody> </table>			Zone	Lumens	% Fixture	0-30	674	68.5	0-40	873	88.7	0-60	984	99.9	0-90	985	100	90-180	0	0	0-180	985	100	<table border="1"> <thead> <tr> <th>Average Candela Degrees</th> <th>Average 0° Luminance</th> </tr> </thead> <tbody> <tr><td>45</td><td>57541</td></tr> <tr><td>55</td><td>18916</td></tr> <tr><td>65</td><td>0</td></tr> <tr><td>75</td><td>0</td></tr> <tr><td>85</td><td>0</td></tr> </tbody> </table>		Average Candela Degrees	Average 0° Luminance	45	57541	55	18916	65	0	75	0	85	0
		D	FC	L	W																																																																																						
		4'	82	2.8	2.8																																																																																						
		7'	27	5	5																																																																																						
		9'	16	6.6	6.6																																																																																						
13'	8	9.4	9.4																																																																																								
16'	5	11.6	11.6																																																																																								
Degrees Vertical	Candela																																																																																										
0	1309																																																																																										
5	1250																																																																																										
15	959																																																																																										
25	644																																																																																										
35	313																																																																																										
45	105																																																																																										
55	28																																																																																										
65	0																																																																																										
75	0																																																																																										
85	0																																																																																										
90	0																																																																																										
Zone	Lumens	% Fixture																																																																																									
0-30	674	68.5																																																																																									
0-40	873	88.7																																																																																									
0-60	984	99.9																																																																																									
0-90	985	100																																																																																									
90-180	0	0																																																																																									
0-180	985	100																																																																																									
Average Candela Degrees	Average 0° Luminance																																																																																										
45	57541																																																																																										
55	18916																																																																																										
65	0																																																																																										
75	0																																																																																										
85	0																																																																																										

PHOTOMETRY

WALL WASH	
Test Number	P14828
Housing	LD2B10D010
Module	EU2B1010WW8035
Trim	2LBSW*XX
Lumens	742
Efficacy	72 Lm/W



LEGEND: 0-deg: - - - - -
90-deg: _____

SINGLE UNIT FOOTCANDLES					MULTIPLE UNIT FOOTCANDLES											
DD	3' FROM WALL (Distance From Fixture Along Wall)				2.5' FROM WALL (Spacing Between Fixtures)			3' FROM WALL (Spacing Between Fixtures)								
	●	1'	2'	3'	●	3'	●	●	4'	●	●	3'	●	●	4'	●
1'	0.5	0.5	0.3	0.2	1.3	1.1	1.3	1.2	0.7	1.2	0.7	0.8	0.7	0.6	0.6	0.6
2'	4.3	3.3	1.4	0.5	10.7	8.7	10.7	10.2	4.9	10.2	4.8	4.6	4.8	4.5	2.9	4.5
3'	10.1	8.1	4.2	1.6	19.2	18	19.2	17.8	11.5	17.8	11.8	12.1	11.8	10.7	8.3	10.7
4'	12.2	10.2	5.9	2.8	19.3	19.9	19.3	17.5	14	17.5	15.1	16.1	15.1	13.4	11.9	13.4
5'	10.9	9.4	6.1	3.3	15.6	16.9	15.6	13.8	12.8	13.8	14.2	15.7	14.2	12.5	12.3	12.5
6'	8.6	7.6	5.4	3.2	11.7	12.9	11.7	10.2	10.4	10.2	11.8	13.2	11.8	10.3	10.7	10.3
7'	6.4	5.8	4.4	2.9	8.5	9.5	8.5	7.5	8	7.5	9.2	10.4	9.2	8.1	8.8	8.1
8'	4.7	4.4	3.5	2.4	6.3	7	6.3	5.5	6	5.5	7.1	7.9	7.1	6.3	6.9	6.3
9'	3.4	3.3	2.7	2	4.6	5.1	4.6	4.1	4.6	4.1	5.4	6	5.4	4.8	5.4	4.8
10'	2.6	2.4	2.1	1.6	3.5	3.8	3.5	3.1	3.5	3.1	4.2	4.6	4.2	3.7	4.2	3.7