

DESCRIPTION

A low brightness 6-inch aperture lensed downlight for use with PAR30, A19, and A21 LED lamps. The deeply regressed lens provides superb shielding to eliminate brightness at higher angles. Choice of lenses for various aesthetics. The modular housing will also accept various downlight and wall wash reflectors.

Catalog #		Type
Project		
Comments		Date
Prepared by		

SPECIFICATION FEATURES

Reflector

Clear upper Alzak® reflector for maximum output. Positive reflector mounting pulls trim tight to ceiling. .050" spun aluminum lower reflector available in a variety of Alzak® finishes. Painted white finish as well as white or black baffles.

Lens

Choice of tempered fresnel, prismatic, diffuse, or clear glass lenses. Lens is fixed to lower reflector.

Trim Ring

Self flanged or molded white trim ring. Metal trim ring and rimless trim ring accessories available (See Options and Accessories).

Socket Cap

One piece heat dissipating die-cast aluminum.

Universal Mounting Bracket

Accepts 1/2" EMT, C channel, T bar fasteners, and bar hangers (See Accessories). Provides 5" total vertical adjustment.

Housing

Precision die-cast aluminum 1-1/2" (38mm) deep collar.

Conduit Fittings

Die-Cast screw tight connectors.

Junction Box

Galvanized with (6) 1/2" and (2) 3/4" KOs. Listed for twelve #12AWG (six in, six out) 90C conductors and feed through branch wiring.

Socket

Medium base porcelain base socket with nickel plated screw shell.

Insulation Detector

Self resetting insulation detector opens a circuit if insulation is improperly installed.

Labels

cULus, wet location listed.



HD6 6780/6781

12 - 20W

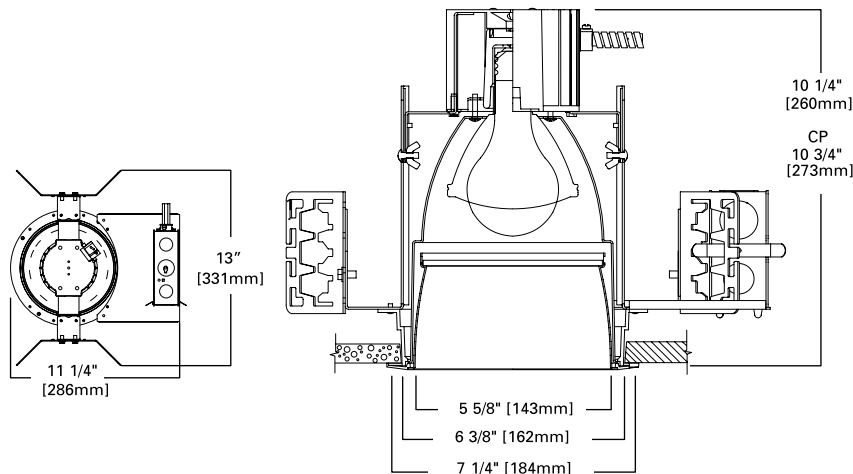
PAR30

A19/21

Wet Location

6-Inch Lensed Downlight

DIMENSIONS



ORDERING INFORMATION

Housing	Options	Max Wattage Label	Reflector	Finish	Lens	Option	Accessories
HD6=6" Incandescent	CP=Chicago Plenum	WL12=12W WL20=20W	6780=Molded Trim Ring 6781=Self Flanged	B=Specular Black GPH=Graphite Haze H=Semi-Specular Clear LI=Specular Clear MW=Matte White WH=Wheat WMH=Warm Haze	1G=Prismatic Glass 2G=Diffuse Glass 3G=Clear Glass 4G=Fresnel Glass	WF=White Painted Flanged (Self Flanged only)	H277=Step Down Transformer, 300VA Max HB26=C Channel Bar Hangers, 26" Long, Pair HB50=C Channel Bar Hangers, 50" Long, Pair RMB-22=Wood Joist Bar Hanger, 22" Long, Pair HSA6=Slope Adapter for 6" Aperture Housings, Specify Slope