

## DESCRIPTION

A low brightness 4-inch aperture lensed downlight for use with PAR20, PAR30 and A19 LED lamps. The deeply regressed lens provides superb shielding to eliminate brightness at higher angles. Choice of lenses for various aesthetics. The modular housing will also accept various downlight, wall wash, and lens reflectors.

Catalog #		Type
Project		
Comments		Date
Prepared by		

## SPECIFICATION FEATURES

### Reflector

Clear upper Alzak® reflector for maximum output. Positive reflector mounting pulls trim tight to ceiling. 0.050" spun aluminum lower reflector available in a variety of Alzak® finishes.

### Lens

Choice of tempered fresnel, prismatic, diffuse, or clear glass lenses. Lens is fixed to lower reflector.

### Trim Ring

Self flanged or molded white trim ring.

### Socket Cap

One piece heat dissipating die-cast aluminum.

### Universal Mounting Bracket

Accepts 1/2" EMT, C channel, T bar fasteners, and bar hangers (See Accessories). Provides 5" total vertical adjustment.

### Housing

Precision die-cast aluminum 1-1/2" (38mm) deep collar.

### Conduit Fittings

Die-cast screw tight connectors.

### Junction Box

Galvanized with (6) 1/2" and (2) 3/4" KO's. Listed for twelve #12AWG (six in, six out) 90°C conductors and feed through branch wiring.

### Socket

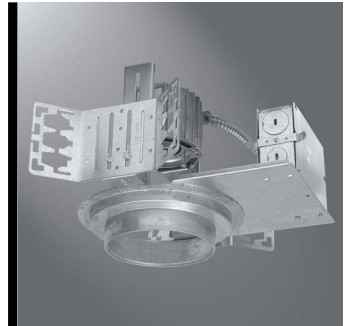
Medium base porcelain base socket with nickel plated screw shell to prevent lamp freeze.

### Insulation Detector

Self-resetting insulation detector opens circuit if insulation is improperly installed.

### Labels

cULus listed, wet location.



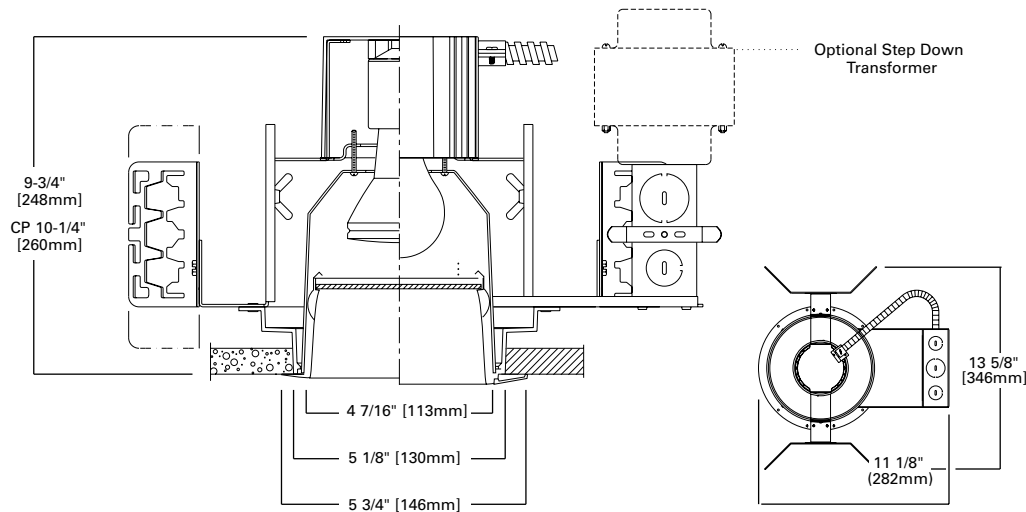
## HD4 4780/4781

8 - 25W  
PAR20  
PAR30  
A19

Wet Location

4-Inch Lensed Downlight

## DIMENSIONS



## ORDERING INFORMATION

Housing	Options	Max Wattage Label	Reflector	Finish	Lens	Option	Accessories
HD4=4" Incandescent	CP=Chicago Plenum	WL8=8W WL12=12W WL20=20W WL25=25W	4780=Molded Trim Ring 4781=Self Flanged Lensed Reflector	B=Specular Black GPH=Graphite Haze H=Semi-Specular Clear LI=Specular Clear MW=Matte White WH=Wheat WMH=Warm Haze	1G=Prismatic Glass 2G=Diffuse Glass 3G=Clear Glass 4G=Fresnel Glass	WF=White Painted Flanged (Self Flanged only)	H277=Step Down Transformer, 300VA Max HB26=C Channel Bar Hangers, 26" Long, Pair HB50=C Channel Bar Hangers, 50" Long, Pair FK5=5 Amp Field Installable Fuse Kit 300V Max RMB-22=Wood Joist Bar Hanger, 22" Long, Pair HSA4=Slope Adapter for 4" Aperture Housings, Specify Slope