

## DESCRIPTION

6-inch square recessed horizontal open downlight designed for use with 18W or 26W compact fluorescent lamps. Regressed lensed reflector produces smooth distribution with excellent light control and low aperture brightness. Open downlight is interchangeable within the same housing.

<b>Catalog #</b>		<b>Type</b>
<b>Project</b>		
<b>Comments</b>		<b>Date</b>
<b>Prepared by</b>		

## SPECIFICATION FEATURES

### Reflector

Miro® curved upper reflector provides smooth beam with even distribution. Lower reflector available in all Portfolio finishes.

### Lens

Choice of prismatic glass, prismatic polycarbonate, diffuse glass, diffuse polycarbonate, clear glass or clear Polycarbonate.

### Trim Retention

Reflector is retained with two torsion springs holding the flange tightly to the finished ceiling surface.

### Plaster Frame / Collar

Galvanized steel plaster frame with adjustable collar adjusts for up to 2" thick ceilings and rotates +/- 7.5°.

### Universal Mounting Bracket

Accepts 1/2" EMT, C channel and bar hangers and adjusts 5" vertically from above and below the ceiling.

### Junction Box

(4) 1/2" and (2) 3/4" trade size pry outs positioned to allow straight conduit runs. Listed for (8) #12 AWG (four in, four out) 90°C conductors and feed thru branch wiring.

### Rotary Lock Socket

18W lamps: 4-pin G24q2; 26W lamps: 4-pin G24q3. Bases have fatigue-free stainless steel lamp spring ensures positive lamp retention.

### Electronic Ballast

Electronic ballast provides full light output and rated lamp life. Provides flicker free and noise free operation and starting. End of lamp life protection is standard.

### Labels

Thermally protected and cULus listed for protected wet locations. ARRA compliant.



**CSO6218**  
**CSO6226**

**6CSQL**

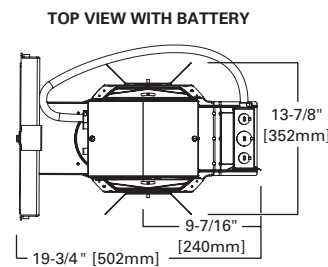
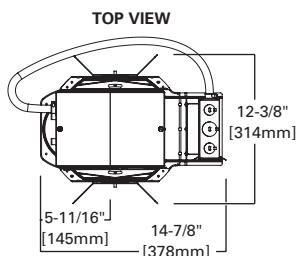
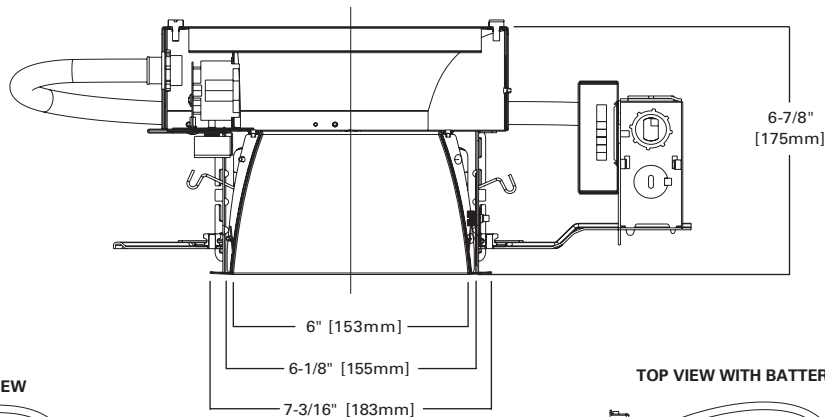
(2) 18W or 26W DTT  
Compact Fluorescent

**6-Inch**  
**Square Lensed Downlight**

### ENERGY DATA

(2) 26W DTT	
Ballast: Electronic	
120V Input Watts: 54	Line Amps: 0.45
277V Input Watts: 54	Line Amps: 0.20
Power Factor: >0.99	THD: <10%
Min. Starting Temperature: -18°C (0°F)	
Sound Rating: Class A Standards	

**NOTES:** Accessories should be ordered separately. For additional options, please consult your Cooper Lighting Solutions Representative. Alzak is a registered trademark of Aluminum Company of America.

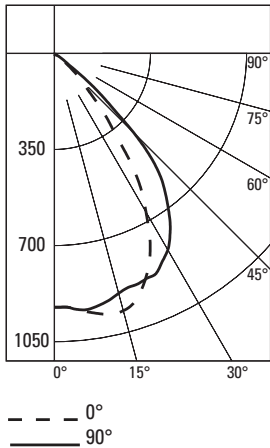


EXAMPLE: CSQ4118ECP 4CSQL1L1=6" Square CFL Horizontal Lensed Downlight, (2) 18 Watt Double Twin Tubes 120/277 Volt, Chicago Plenum, Self Flanged with Specular Clear Finish, Prismatic Lens

Housing	Wattage	Ballast	Options	Reflector	Finish	Lens	Options	Accessories
CSQ6=6" CFL Horizontal	218=(2) 18W DTT 226=(2) 26W DTT	E=120/277V 50/60 Hz Electronic 3E=347V 50/60 Hz Electronic D5LT=120-277V Fifth Light (DALI Dimming) 3D5LT=347V Fifth Light (DALI Dimming) (26W only) D=120-277V Dimming Lutron EcoSystem/3-Wire Control (Factory Wired for 3-Wire) DMARKVII=18W or 26W 120-277V Advance MARK 7 1DMARKX=18W or 26W 120V Advance MARK 10 2DMARKX=18W or 26W 277V Advance MARK 10	CP=Chicago Plenum EM=Emergency Module with Remote Test Switch  6CSQL1=Downlight Reflector, Lens Assembly, Self Flanged 6CSQL0=Downlight Reflector, Lens Assembly Polymer Trim Ring		LI=Specular Clear H=Semi-Specular Clear WMH=Warm Haze G=Specular Gold WH=Wheat WHH=Wheat Haze GP=Graphite GPH=Graphite Haze B=Specular Black W=Gloss White	1=Prismatic lens 2=Diffuse lens 3=Clear lens 1G=Prismatic glass 2G=Diffuse glass 3G=Clear glass  WF=White painted flange (self flanged only)	HB26=C Channel Bar Hanger, 26" Long, Pair HB50=C Channel Bar Hanger, 50" Long, Pair RMB22=Wood Joist Bar Hanger, 22" Long, Pair	

PHOTOMETRICS

Candlepower Distribution Curve



Test No. P31151  
CSQ6226E-6CSQL1L13  
Lamp = 26W DTT  
Lumens = 1800  
Spacing Criteria: 0°=1.1, 90°=1.3  
Efficiency = 40.3%

Zonal Lumen Summary

Zone	Lumens	%Fixture
0-30	744	51.3
0-40	1135	78.2
0-60	1435	98.8
0-90	1451	100.0
90-180	0	0.0
0-180	1451	100.0

Luminance

Degrees	CD/SQ M	
	0°	90°
45	9008	25991
55	2551	4352
65	1018	1629
75	333	665
85	0	0

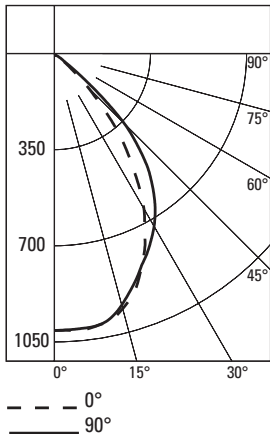
Candela Distribution

Degrees Vertical	Candela	
	0°	90°
0	918	918
5	929	929
15	964	899
25	820	877
35	493	732
45	148	427
55	34	58
65	10	16
75	2	4
85	0	0
90	0	0

Cone of Light

D	FC	L	W
5'0"	37	5.5	6.5
7'0"	19	7.5	9
8'0"	15	8.5	10
9'0"	12	10	11.5
10'0"	9	11	13

Candlepower Distribution Curve



Test No. P31152  
CSQ6226E-6CSQL1L11G  
Lamp =26W DTT  
Lumens = 1800  
Spacing Criteria: 0°=1.0, 90°=1.1  
Efficiency = 38.2%

Zonal Lumen Summary

Zone	Lumens	%Fixture
0-30	727	52.8
0-40	1083	78.7
0-60	1360	98.9
0-90	1376	100.0
90-180	0	0.0
0-180	1376	100.0

Luminance

Degrees	CD/SQ M	
	0°	90°
45	11747	22886
55	2701	4052
65	917	1528
75	333	499
85	0	0

Candela Distribution

Degrees Vertical	Candela	
	0°	90°
0	1002	1002
5	1007	1000
15	957	944
25	779	798
35	498	635
45	193	376
55	36	54
65	9	15
75	2	3
85	0	0
90	0	0

Cone of Light

D	FC	L	W
5'0"	40	5	5.5
7'0"	20	7	7.5
8'0"	16	8	9
9'0"	12	9	10
10'0"	10	10	11