

## DESCRIPTION

6-inch square recessed horizontal lensed wall wash designed for use with 18W or 26W compact fluorescent lamps. The specular upper reflector combined with the linear spread lens provides uniform light distribution on vertical surfaces. Open downlight or lensed reflector is interchangeable in the same housing.

<b>Catalog #</b>		<b>Type</b>
<b>Project</b>		
<b>Comments</b>		<b>Date</b>
<b>Prepared by</b>		

## SPECIFICATION FEATURES

### Lower Wall Wash Reflector

Angle cut aluminum lower reflector combined with a spread lens provides even vertical illumination with minimal downlight contribution.

### Trim Retention

Reflector is retained with two torsion springs holding the flange tightly to the finished ceiling surface.

### Plaster Frame / Collar

Galvanized steel plaster frame with adjustable collar adjusts for up to 2" thick ceilings and rotates +/- 7.5°.

### Universal Mounting Bracket

Accepts 1/2" EMT, C channel and bar hangers and adjusts 5" vertically from above and below the ceiling.

### Junction Box

(4) 1/2" and (2) 3/4" trade size pry outs positioned to allow straight conduit runs. Listed for (8) #12 AWG (four in, four out) 90°C conductors and feed thru branch wiring.

### Rotary Lock Socket

18W lamps: 4-pin G24q2;  
26W lamps: 4-pin G24q3.  
Bases have fatigue-free stainless steel lamp spring to ensure positive lamp retention.

### Electronic Ballast

Electronic ballast provides full light output and rated lamp life. Provides flicker-free and noise-free operation and starting. End of lamp life protection is standard.

### Labels

Thermally protected and cULus listed for protected wet locations. ARRA compliant.

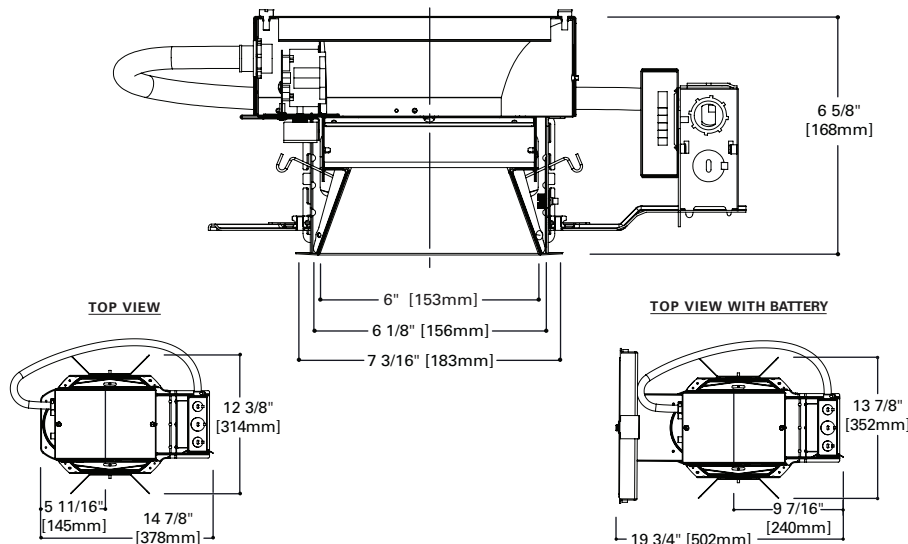


**CSO6218**  
**CSO6226**

**6CSQLWW**

(2) 18W or 26W DTT  
Compact Fluorescent

**6-Inch**  
**Square Lensed Wall Wash**



ENERGY DATA	
(2) 26W DTT	
Ballast: Electronic	
120V Input Watts: 54	Line Amps: 0.45
277V Input Watts: 54	Line Amps: 0.20
Power Factor: >0.99	THD: <10%
Min. Starting Temperature: -18°C (0°F)	
Sound Rating: Class A Standards	

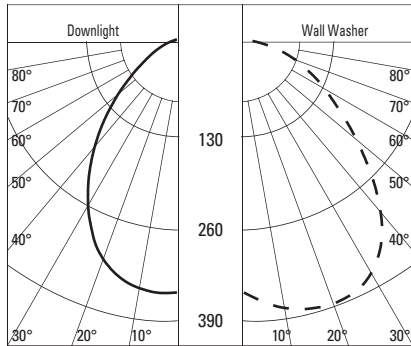
**NOTES:** Accessories should be ordered separately. For additional options, please consult your Cooper Lighting Solutions Representative. Altazak is a registered trademark of Aluminum Company of America.

EXAMPLE:CSQ6218ECP 6CSQLWW1LI=6" Square CFL Horizontal Wall Wash, (2) 18 Watt Double Twin Tubes 120/277 Volt, Chicago Plenum, Self-flanged with Specular Clear Finish

Housing	Wattage	Ballast	Options	Reflector	Finish	Option	Accessories
CSQ6=6" CFL Horizontal	218=(2) 18W DTT 226=(2) 26W DTT	E=120/277V 50/60 Hz Electronic 3E= 347V 50/60 Hz Electronic D=120-277V Dimming Lutron EcoSystem/3-Wire Control (Factory Wired for 3-Wire) DMARKVII=18W or 26W 120-277V Advance MARK 7 1DMARKX=18W or 26W 120V Advance MARK 10 2DMARKX=18W or 26W 277V Advance MARK 10	CP= Chicago Plenum EM= Emergency Module with Remote Test Switch IEM=Emergency Module with Integral Test Switch	6CSQLWW1=Lensed Wall Wash Reflector, Self Flanged 6CSQLWW0=Lensed Wall Wash Reflector, Polymer Trim Ring	I=Specular Clear H=Semi-Specular Clear WMH=Warm Haze G=Specular Gold WH=Wheat WHH=Wheat Haze GP=Graphite GPH=Graphite Haze B=Specular Black W=Gloss White	WF=White painted flange (self-flanged only)	HB26=C Channel Bar Hanger, 26" Long, Pair HB50=C Channel Bar Hanger, 50" Long, Pair RMB22=Wood Joist Bar Hanger, 22" Long, Pair

PHOTOMETRICS

Candlepower Distribution



Test No. P13211  
CSQ6226E  
6CSQLWW1LI

Lamp = 26W DTT  
Lumens = 642  
Efficiency = 18.8

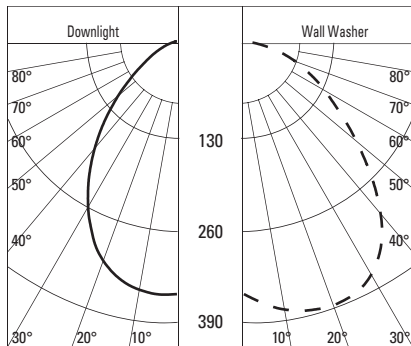
----- 0°  
————— 90°

Single Unit Foot-candles

Multiple Unit Foot-candles

DD	Distance from wall (single fixture)				2' from wall (spacing between fixtures)			3' from wall (spacing between fixtures)		
	1'	2'	3'	4'	3'	4'	3'	4'	3'	
1	6	4	2	1	20 13 20 19 7 19	8 6 7 6 4 6				
2	9	8	5	2	26 22 26 23 13 23	14 14 14 11 9 11				
3	9	8	5	3	21 20 21 17 13 17	16 16 16 12 11 12				
4	8	7	5	3	14 14 14 11 11 11	14 14 14 11 11 11				
5	5	5	4	3	10 10 10 8 8 8	11 12 12 9 9 9				
6	4	3	3	2	7 7 7 5 6 5	9 9 9 7 7 7				
7	3	2	2	2	5 5 5 4 4 4	7 7 7 5 6 5				
8	2	2	2	1	4 4 4 3 3 3	5 5 5 4 4 4				
9	1	1	1	1	3 3 3 2 2 2	4 4 4 3 3 3				
10	1	1	1	1	2 2 2 2 2 2	3 3 3 3 3 3				

Candlepower Distribution



Test No. P13212  
CSQ6226E 6CSQLWW1H

Lamp = 26W DTT  
Lumens = 574  
Efficiency = 16.8

----- 0°  
————— 90°

Single Unit Foot-candles

Multiple Unit Foot-candles

DD	Distance from wall (single fixture)				2' from wall (spacing between fixtures)			3' from wall (spacing between fixtures)		
	1'	2'	3'	4'	3'	4'	3'	4'	3'	
1	6	5	2	1	20 13 20 19 7 19	8 7 8 7 5 7				
2	9	7	4	2	23 19 23 20 12 20	13 13 13 10 9 10				
3	8	7	5	3	18 17 18 15 12 15	14 14 14 11 10 11				
4	7	6	4	3	13 13 13 10 9 10	12 13 12 10 9 10				
5	5	4	3	2	9 9 9 7 7 7	10 10 10 8 8 8				
6	3	3	3	2	6 6 6 5 5 5	8 8 8 6 6 6				
7	2	2	2	2	4 5 4 4 4 4	6 6 6 5 5 5				
8	2	2	1	1	3 3 3 3 3 3	5 5 5 4 4 4				
9	1	1	1	1	3 3 3 2 2 2	4 4 4 3 3 3				
10	1	1	1	1	2 2 2 2 2 2	3 3 3 2 2 2				