

## DESCRIPTION

6-inch square recessed horizontal open downlight designed for use with 18W or 26W compact fluorescent lamps. Two-stage reflector system produces smooth distribution with excellent light control and low aperture brightness. Lensed downlight is interchangeable within the same housing.

Catalog #		Type
Project		
Comments		Date
Prepared by		

## SPECIFICATION FEATURES

### Reflector

Miro® curved upper reflector provides smooth beam with even distribution. Lower reflector available in all Portfolio finishes.

### Trim Retention

Reflector is retained with two torsion springs holding the flange tightly to the finished ceiling surface.

### Plaster Frame / Collar

Galvanized steel plaster frame with adjustable collar adjusts for up to 2" thick ceilings and rotates +/- 7.5°.

### Universal Mounting Bracket

Accepts 1/2" EMT, C channel and bar hangers and adjusts 5" vertically from above and below the ceiling.

### Junction Box

(4) 1/2" and (2) 3/4" trade size pry outs positioned to allow straight conduit runs. Listed for (8) #12 AWG (four in, four out) 90°C conductors and feed thru branch wiring.

### Rotary Lock Socket

18W lamps: 4-pin G24q2;  
26W lamps: 4-pin G24q3.  
Bases have fatigue-free stainless steel lamp spring to ensure positive lamp retention.

### Electronic Ballast

Electronic ballast provides full light output and rated lamp life. Provides flicker-free and noise-free operation and starting. End of lamp life protection is standard.

### Labels

Thermally protected and cULus listed, standard damp label. ARRA compliant.

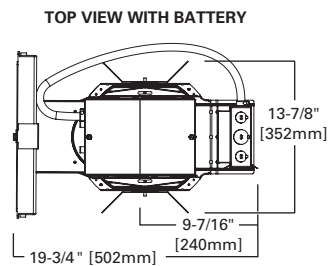
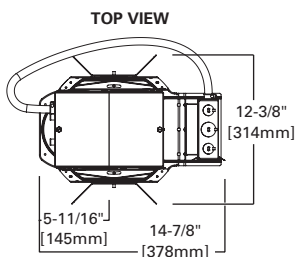
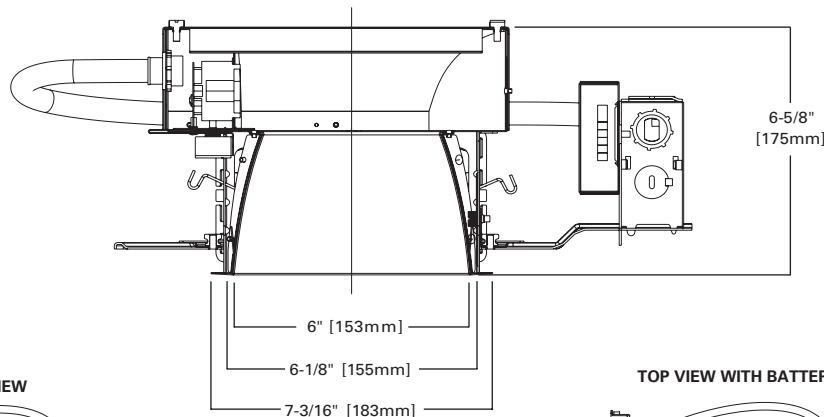


**CSO6218**  
**CSO6226**

**6CSQ**

(2) 18W or 26W DTT  
Compact Fluorescent

**6-Inch**  
**Square Downlight**



ENERGY DATA	
(2) 26W DTT	
Ballast: Electronic	
120V Input Watts: 54	Line Amps: 0.45
277V Input Watts: 54	Line Amps: 0.20
Power Factor: >0.99	THD: <10%
Min. Starting Temperature: -18°C (0°F)	
Sound Rating: Class A Standards	

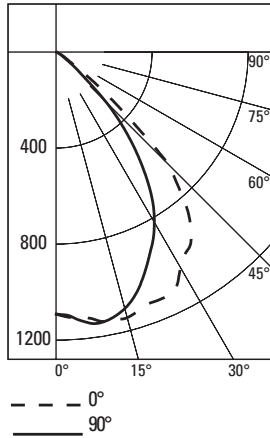
**NOTES:** Accessories should be ordered separately. For additional options, please consult your Cooper Lighting Solutions Representative. Alzak is a registered trademark of Aluminum Company of America.

EXAMPLE: CSQ6218ECP 6CSQ1LI=6" Square CFL Horizontal Downlight, (2) 18Watt Double Twin Tubes 120/277 Volt, Chicago Plenum, Self Flanged with Specular Clear Finish

Housing	Wattage	Ballast	Options	Reflector	Finish	Options	Accessories
CSQ6=6" CFL Horizontal 218=(2) 18W DTT 226=(2) 26W DTT		E=120/277V 50/60 Hz Electronic 3E=347V 50/60 Hz Electronic D5LT=120-277V Fifth Light (DALI Dimming) 3D5LT=347V Fifth Light (DALI Dimming) (26W only) D=120-277V Dimming Lutron EcoSystem/3-Wire Control (Factory Wired for 3-Wire) DMARKVII=18W or 26W 120-277V Advance MARK 7 1DMARKX=18W or 26W 120V Advance MARK 10 2DMARKX=18W or 26W 277V Advance MARK 10	CP=Chicago Plenum EM=Emergency Module with Remote Test Switch	6CSQ1=Downlight Reflector, Self Flanged 6CSQ0=Downlight Reflector, Polymer Trim Ring	LI=Specular Clear H=Self-Flanged Clear WMH=Warm Haze G=Specular Gold WH=Wheat WHH=Wheat Haze GP=Graphite GPH=Graphite Haze B=Specular Black W=Gloss White	WF=White painted flange (self flanged only)	HB26=C Channel Bar Hanger, 26" Long, Pair HB50=C Channel Bar Hanger, 50" Long, Pair RMB22=Wood Joist Bar Hanger, 22" Long, Pair

PHOTOMETRICS

Candlepower Distribution Curve



Test No. P3109 7  
CSQ6226E-6CSQ1LI  
Lamp = 26W PL T  
Lumens = 3420  
Spacing Criteria: 0°=1.4, 90°=1.16  
Efficiency = 53.6%

Cone of Light

D	FC	L	W
5'0"	45	6.5	6
7'0"	23	9.5	8
8'0"	17	10.5	9
9'0"	14	12	10.5
10'0"	11	13.5	11.5

Zonal Lumen Summary

Zone	Lumens	%Fixture
0-30	908	47.1
0-40	1446	75.0
0-60	1903	98.7
0-90	1928	100.0
90-180	0	0.0
0-180	1928	100.0

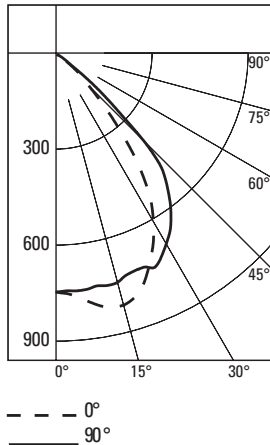
Luminance

Degrees	CD/SQ M	0°	90°
45	40660	19052	
55	6678	4427	
65	2444	1629	
75	831	665	
85	494	494	

Candela Distribution

Degrees Vertical	0°	90°
0	1090	1090
5	1107	1119
15	1147	1109
25	1118	931
35	981	681
45	668	313
55	89	59
65	24	16
75	5	4
85	1	1
90	0	0

Candlepower Distribution Curve



Test No. P31106  
CSQ6218E-6CSQ1LI  
Lamp = 18W PL T  
Lumens = 2400  
Spacing Criteria: 0°=1.2, 90°=1.3  
Efficiency = 55.5%

Cone of Light

D	FC	L	W
5'0"	31	6	6.5
7'0"	16	8	9.5
8'0"	12	9	10.5
9'0"	10	10.5	12
10'0"	8	11.5	13.5

Zonal Lumen Summary

Zone	Lumens	%Fixture
0-30	639	48.0
0-40	1012	76.0
0-60	1315	98.8
0-90	1331	100.0
90-180	0	0.0
0-180	1331	100.0

Luminance

Degrees	CD/SQ M	0°	90°
45	10348	24895	
55	3302	4202	
65	1222	1528	
75	499	499	
85	0	0	

Candela Distribution

Degrees Vertical	0°	90°
0	745	745
5	763	744
15	814	741
25	705	736
35	489	629
45	170	409
55	44	56
65	12	15
75	3	3
85	0	0
90	0	0