

DESCRIPTION

High efficiency, low brightness 6-inch aperture wide beam reflector for use with 18W or 26W Double Twin Tube compact fluorescent lamps. The precisely formed non-imaging optical reflector ensures 55° cutoff to lamp and lamp image and the one piece design eliminates light leaks at the ceiling. Standard features include low iridescent finish on all reflector colors and venting to ensure maximum lamp life and lumen output. Optics offer unparallel performance in glare free lighting with a smooth beam devoid of hot spots. Wide beam and open downlight, lens, and open wall wash reflectors are interchangeable within the same housing.

Catalog #		Type
Project		
Comments		Date
Prepared by		

SPECIFICATION FEATURES

Optical Reflector

.050 thick aluminum, in a one piece spun parabolic contour. Available in a variety of Alzak® finishes. Also available with white or black baffle. Positive reflector mounting, without tools, pulls trim tight to ceiling.

Mechanical Housing Mounting Frame

One piece precision die cast aluminum 1-1/2" deep collar accommodates varying dimensions of ceiling materials.

Universal Mounting Bracket

Accepts 1/2" EMT, C Channel, T bar fasteners, and bar hangers. Adjusts 5" vertically from above or below ceiling.

Conduit Fittings

Die cast screw tight connectors.

Junction Box

Listed for eight #12AWG (four in, four out) 90°C conductors feed through branch wiring. 1/2" and two 3/4" pry outs. Positioned to allow straight conduit runs. Access to junction box by removing reflector.

Trim Ring Options

Self flanged or molded white trim ring. Rimless trim ring accessory available.

Socket Connector

One piece die cast aluminum connection allows venting for maximum thermal performance.

Rotary Lock Socket

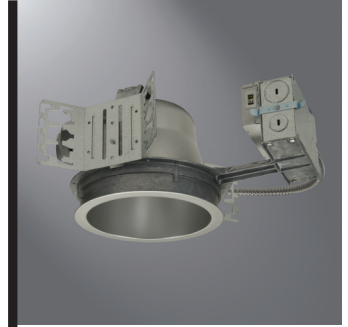
4-pin base with fatigue free stainless steel lamp spring ensures positive lamp retention.
13W Lamp G24q1
18W Lamp G24q2
26W Lamp G24q3

Electronic Ballast with Quick Disconnect

Electronic ballast provides full light output and rated lamp life. Provides flicker free and noise free operation and starting. End of lamp life protection is standard.

Labels

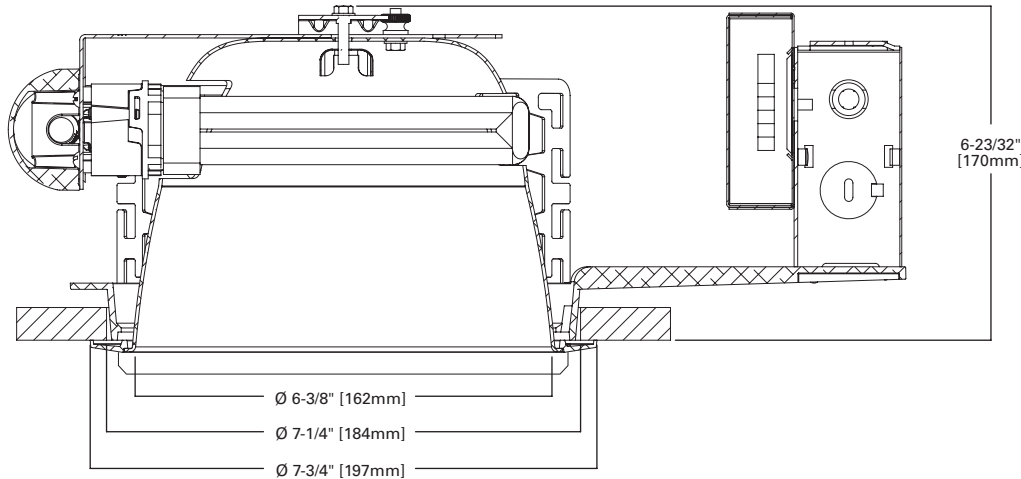
cULus listed, standard wet label. Meets IECC, ASHRAE, and Title 24 commercial standards.



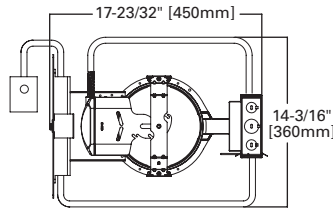
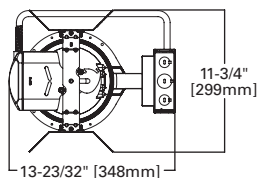
CD6226
CD6218
CD6213
6CH226

13W, 18W or 26W DTT
Compact Fluorescent

6-Inch Horizontal
Wide Beam Downlight



Top View



(with EM option)

ENERGY DATA	
(2) 13W DTT	
Ballast: Electronic	
120V Input Watts: 31	Line Amps: 0.26
277V Input Watts: 31	Line Amps: 0.12
(2) 18W DTT	
Ballast: Electronic	
120V Input Watts: 37	Line Amps: 0.32
277V Input Watts: 37	Line Amps: 0.14
(2) 26W TTT	
Ballast: Electronic	
120V Input Watts: 50	Line Amps: 0.45
277V Input Watts: 50	Line Amps: 0.20
Power Factor: >0.99 THD: <10%	
Min. Starting Temperature: -18°C (0°F)	
Sound Rating: Class A Standards	

NOTES: Accessories should be ordered separately. For additional options, please consult your Cooper Lighting Solutions Representative. Alzak is a registered trademark of Aluminum Company of America.

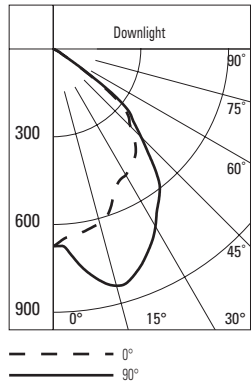
EXAMPLE: CD6226E 6CH226W1LI

Housing	Ballast	Options	Trims	Finish	Option	Accessories
<p>CD6226=6" Horizontal 2-lamp 26W DTT</p> <p>CD6218=6" horizontal 2-lamp 18W DTT</p> <p>CD6213=6" horizontal 2-lamp 13W DTT</p>	<p>E=120/277V 50/60 Hz Electronic</p> <p>3E=347V 50/60 Hz Electronic</p> <p>D5LT=18 or 26W 120-277V Fifth Light (DALI) Dimming³</p> <p>3D5LT=26W 347V Fifth Light (DALI) Dimming³</p> <p>D=120-277V Dimming, Lutron EcoSystem/3-Wire Control (Factory Wired for 3-Wire)³</p> <p>DMARKVII=18W or 26W 120-277V Advance MARK 7</p> <p>1DMARKX=18W or 26W 120V Advance MARK 10</p> <p>2DMARKX=18W or 26W 277V Advance MARK 10</p>	<p>CP=Chicago Plenum</p> <p>EM=Emergency Module with remote test switch²</p> <p>IEM=Emergency Module with Integral Test Switch²</p> <p>2C=(2) ballasts for HI-Low switching</p> <p>2CMS=2 circuit master satellite (2 housings, order 2 trims)</p>	<p>6CH2261=6" reflector self flanged</p> <p>6CH2260=6" reflector polymer trim ring</p> <p>6CH2261E=6" reflector self flanged, for integral emergency</p> <p>6CH2260E=6" reflector polymer trim ring, for integral emergency</p>	<p>Alzak® Finishes</p> <p>LI=Specular Clear</p> <p>H=Semi-Specular Clear</p> <p>WMMH=Warm Haze</p> <p>G=Gold</p> <p>WH=Wheat</p> <p>WHH=Wheat Haze</p> <p>GP=Graphite</p> <p>GPH=Graphite Haze</p> <p>B=Black</p> <p>Painted Finishes</p> <p>W=Gloss White</p> <p>WB=White Baffle (polymer trim ring only)</p> <p>BB=Black Baffle (polymer trim ring only)</p>	<p>WF=White Painted Flange</p>	<p>HB26=C Channel Bar Hangers, 26" Long, Pair</p> <p>HB50=C Channel Bar Hangers, 50" Long, Pair</p> <p>TRMC6P=White Metal Trim Ring¹</p> <p>TRRC6=Rimless Trim Ring, White¹</p> <p>FK5=5 Amp Field Installable Fuse Kit 300V Max</p> <p>RMB22=Wood Joist Bar Hanger, 22" Long, Pair</p> <p>HSAC6=Slope Adapter for 6" Aperture Housings, Specify Slope</p> <p>TRMC6=CFL Metal Trim Ring¹</p>

Notes: ¹Order trim with polymer trim ring. ²Not available with Chicago Plenum. ³Not available with 13W. (Consult specification sheet for ordering information and options).

PHOTOMETRICS

Candlepower Distribution Curve



Test No. P13404
CD6226E 6CH226W1LI
Lumens = 3400
Efficiency = 43.30%
Lamp = 26W DTT
SC = 1.10 - 1.44

Cone of Light

Distance Fixture to Lighted Plane	Initial Footcandles at Nadir	L/W	
5.5'	25	6.2'	7'
7.5'	14	8.5'	9.6'
8'	12	9.2'	10.2'
10'	8	11.4'	12.8'
12'	5	13.7'	15.4'

Candela Distribution

Degrees Vertical	Candela
0	669
5	638
15	612
25	508
35	469
45	367
55	118
65	10
75	1
85	3
90	0

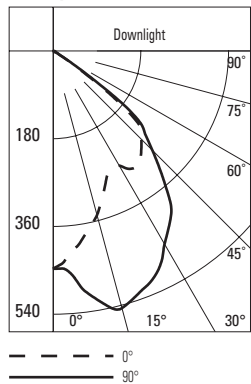
Zonal Lumen Summary

Zone	Lumens	%Fixture
0-30	612	41.6
0-40	993	67.5
0-60	1457	99.1
0-90	1471	100.0
90-180	0	0.0
0-180	1471	100.0

Luminance

Average Candela/M ²	
Degrees	Avg. 0° Luminance
45	25195
55	9987
65	1149
75	188
85	1671

Candlepower Distribution Curve



Test No. P13405
CD621 E 6CH226W1LI
Lumens = 2400
Efficiency = 41.50%
Lamp = 1 W DTT
SC = . 4 - 1.44

Cone of Light

Distance Fixture to Lighted Plane	Initial Footcandles at Nadir	L/W	
5.5'	18	5.8'	7'
7.5'	10	7.9'	9.6'
8'	8	8.4'	10.2'
10'	5	10.5'	12.8'
12'	4	12.6'	15.4'

Candela Distribution

Degrees Vertical	Candela
0	444
5	410
15	347
25	271
35	291
45	255
55	76
65	6
75	2
85	0
90	0

Zonal Lumen Summary

Zone	Lumens	%Fixture
0-30	400	40.2
0-40	660	66.3
0-60	984	98.9
0-90	995	100.0
90-180	0	0.0
0-180	995	100.0

Luminance

Average Candela/M ²	
Degrees	Avg. 0° Luminance
45	17506
55	6432
65	689
75	375
85	0