

## DESCRIPTION

High efficiency, low brightness 6-inch aperture wide beam reflector for use with compact fluorescent lamps. The precisely formed non-imaging optical reflector ensures 55° cutoff to lamp and lamp image and the one piece design eliminates light leaks at the ceiling. Standard features include low iridescent finish on all reflector colors and venting to ensure maximum lamp life and lumen output. Optics offer unparalleled performance in glare free lighting with a smooth beam devoid of hot spots. Wide beam and medium beam downlight, lens, and open wall wash reflectors are interchangeable within the same housing.

## SPECIFICATION FEATURES

### Optical Reflector

.050 thick aluminum, in a one piece spun parabolic contour. Available in a variety of Alzak® finishes. Also available with white or black baffle. Positive reflector mounting, without tools, pulls trim tight to ceiling.

### Mechanical Housing Mounting Frame

One piece precision die cast aluminum 1-1/2" deep collar accommodates varying dimensions of ceiling materials.

### Universal Mounting Bracket

Accepts 1/2" EMT, C Channel, T bar fasteners, and bar hangers. Adjusts 5" vertically from above or below ceiling.

### Conduit Fittings

Die cast screw tight connectors.

### Junction Box

Listed for eight #12AWG (four in, four out) 90°C conductors feed through branch wiring. 1/2" and two 3/4" pry outs. Positioned to allow straight conduit runs. Access to junction box by removing reflector.

### Trim Ring Options

Self flanged or molded white trim ring. Rimless trim ring accessory available.

### Socket Connector

One piece die cast aluminum connection allows venting for maximum thermal performance.

<b>Catalog #</b>		<b>Type</b>
<b>Project</b>		
<b>Comments</b>		<b>Date</b>
<b>Prepared by</b>		

### Rotary Lock Socket

4-pin GX24q3/4 fatigue free stainless steel lamp spring ensures positive lamp retention.

### Electronic Ballast with Quick Disconnect

Electronic ballast provides full light output and rated lamp life. Provides flicker free and noise free operation and starting. End of lamp life protection is standard.

### Labels

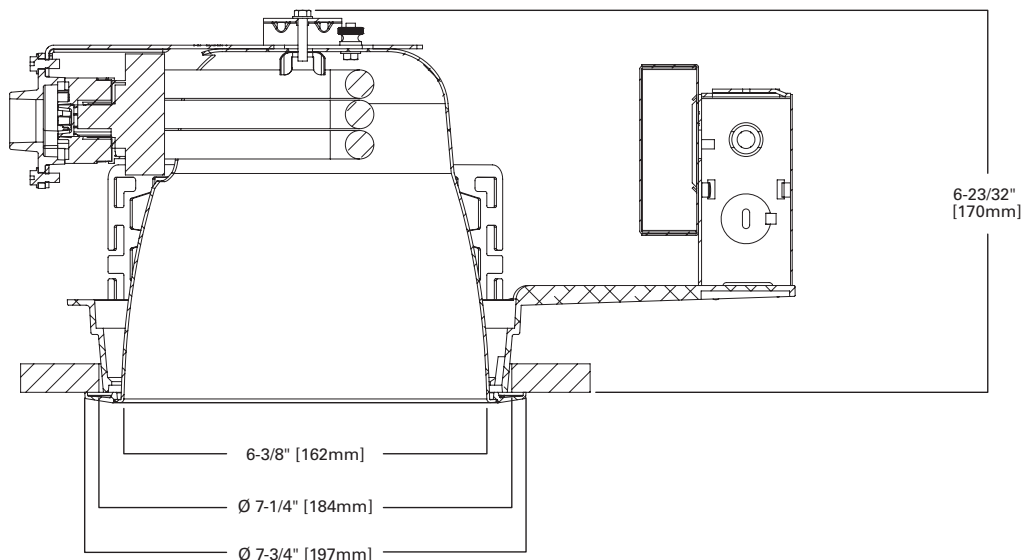
cULus listed, standard damp label. Electronic ballast housings include peel down wattage label from 42W down to 26W allowing de-rating to meet max wattage requirements. Meets IECC, ASHRAE, and Title 24 commercial standards.



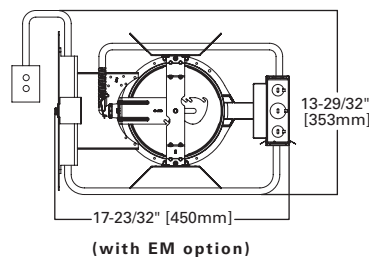
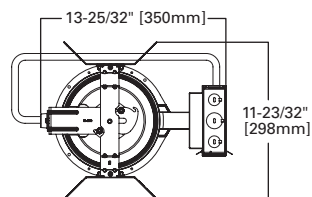
**CD6113**  
**CD6118**  
**CD6126**  
**CD6142**  
**6CH142**

13W, 18W or 26W DTT  
 26W, 32W, 42W TTT or PLT  
 Compact Fluorescent

6-Inch Horizontal Downlight



Top View



ENERGY DATA	
13W DTT	
Ballast: Electronic	
120V Input Watts: 16	Line Amps: 0.13
277V Input Watts: 16	Line Amps: 0.05
18W DTT	
Ballast: Electronic	
120V Input Watts: 19	Line Amps: 0.15
277V Input Watts: 19	Line Amps: 0.07
26W TTT	
Ballast: Electronic	
120V Input Watts: 27	Line Amps: 0.23
277V Input Watts: 29	Line Amps: 0.11
32W TTT	
Ballast: Electronic	
120V Input Watts: 36	Line Amps: 0.31
277V Input Watts: 36	Line Amps: 0.13
42W TTT	
Ballast: Electronic	
120V Input Watts: 46	Line Amps: 0.38
277V Input Watts: 46	Line Amps: 0.17
Power Factor: >0.99	THD: <10%
Min. Starting Temperature: -18°C (0°F)	
Sound Rating: Class A Standards	

NOTES: Accessories should be ordered separately. For additional options, please consult your Cooper Lighting Solutions Representative. Alzak is a registered trademark of Aluminum Company of America.



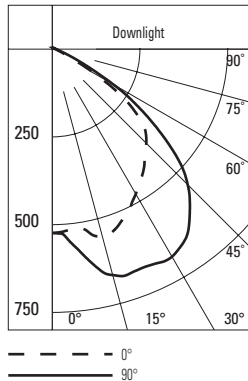
EXAMPLE: CD6142E 6CH1421LI

Housing	Ballast	Options	Trims	Finish	Option	Accessories
<p><b>CD6142</b>=6" Horizontal 26/32/42W TTT Lamp</p> <p><b>CD6126</b>=6" Horizontal 26W DTT Lamp</p> <p><b>CD6118</b>=6" Horizontal 18W DTT Lamp=6"</p> <p><b>CD6113</b> Horizontal 13W DTT Lamp</p>	<p><b>E</b>=120/277V 50/60 Hz Electronic</p> <p><b>3E</b>=347V 50/60 Hz Electronic</p> <p><b>EDR26</b>=26W Derated label electronic</p> <p><b>EDR32</b>=32W Derated label electronic</p> <p><b>D5LT</b>=18 or 26W 120-277V Fifth Light (DALI) Dimming for (CD6118 or CD6126 only)</p> <p><b>D5LT42</b>=42W 120-277V Fifth Light (DALI) Dimming</p> <p><b>D5LT32</b>=32W 120-277V Fifth Light (DALI) Dimming (CD6142 only)</p> <p><b>D5LT26</b>=26W 120-277V Fifth Light (DALI) Dimming (CD6142 only)</p> <p><b>3D5LT32</b>=32W 347V Fifth Light (DALI) Dimming (CD6142 only)</p> <p><b>3D5LT26</b>=26W 347V Fifth Light (DALI) Dimming (CD6142 only)</p> <p><b>3D5LT</b>=26W 347V Fifth Light (DALI) Dimming for (CD6126 only)</p> <p><b>D42</b>=42W 120-277V Dimming, Lutron EcoSystem/3-Wire Control (Factory Wired for 3-Wire)</p> <p><b>D26/32</b>=26 or 32W 120-277V Dimming, Lutron EcoSystem/3-Wire Control (Factory Wired for 3-Wire)</p> <p><b>D</b>=120-277V Dimming Lutron EcoSystem/3-Wire Control (Factory Wired for 3-Wire)</p> <p><b>D26MARKVII</b>=26W 120-277V Advance MARK7</p> <p><b>D32MARKVII</b>=32W 120-277V Advance MARK7</p> <p><b>D42MARKVII</b>=42W 120-277V Advance MARK7</p> <p><b>DMARKVII</b>=18W or 26W 120-277V Advance MARK 7 (CD6118 or CD6126 only)</p> <p><b>1D26MARKX</b>=26W 120V Advance MARK 10</p> <p><b>1D32MARKX</b>=32W 120V Advance MARK 10</p> <p><b>1D42MARKX</b>=42W 120V Advance MARK 10</p> <p><b>2D26MARKX</b>=26W 277V Advance MARK 10</p> <p><b>2D32MARKX</b>=32W 277V Advance MARK 10</p> <p><b>2D422MARKX</b>=42W 277V Advance MARK 10</p> <p><b>1DMARKX</b>=18W or 26W 120V Advance MARK 10 (CD6118 or CD6126 only)</p> <p><b>2DMARKX</b>=18W or 26W 277V Advance MARK 10 (CD6118 or CD6126 only)</p>	<p><b>CP</b>=Chicago Plenum</p> <p><b>EM</b>=Emergency Module with remote test switch <sup>2</sup></p> <p><b>IEM</b>=Emergency Module with Integral test switch <sup>2</sup></p>	<p><b>6CH1421</b>=6" Reflector Self Flanged</p> <p><b>6CH1420</b>=6" Reflector Polymer Trim Ring</p> <p><b>6CH1421E</b>=6" Reflector Self Flanged, for Integral Emergency</p> <p><b>6CH1420E</b>=6" Reflector Polymer Trim Ring, for Integral Emergency</p>	<p><b>Alzak® Finishes</b></p> <p><b>LI</b>=Specular Clear</p> <p><b>H</b>=Semi-Specular Clear</p> <p><b>WHM</b>=Warm Haze</p> <p><b>G</b>=Gold</p> <p><b>WH</b>=Wheat</p> <p><b>WHH</b>=Wheat Haze</p> <p><b>GP</b>=Graphite</p> <p><b>GPH</b>=Graphite Haze</p> <p><b>B</b>=Black</p> <p><b>Painted Finishes</b></p> <p><b>W</b>=Gloss White</p> <p><b>WB</b>=White Baffle (polymer trim ring only)</p> <p><b>BB</b>=Black Baffle (polymer trim ring only)</p>	<p><b>WF</b>=White Painted Flange</p>	<p><b>HB26</b>=C Channel Bar Hangers, 26" Long, Pair</p> <p><b>HB50</b>=C Channel Bar Hangers, 50" Long, Pair</p> <p><b>TRRC6</b>=Rimless Trim Ring, White <sup>1</sup></p> <p><b>FK5</b>=5 Amp Field Installable Fuse Kit 300V Max</p> <p><b>RMB22</b>=Wood Joist Bar Hanger, 22" Long, Pair</p> <p><b>HSAC6</b>=Slope Adapter for 6" Aperture Housings, Specify Slope</p> <p><b>TRMC6</b>=CFL Metal Trim Ring <sup>1</sup></p>

Notes: <sup>1</sup> Order trim with polymer trim ring. <sup>2</sup> Not available with Chicago Plenum. (Consult specification sheet for ordering information and options).

PHOTOMETRICS

Candlepower Distribution Curve



Test No. P13391  
 CD6142E 6CH1421LI  
 Lumens = 2400  
 Efficiency = 64.80%  
 Lamp = 32W PLT  
 SC (parallel - perpendicular) = 1.46 - 1.71

Cone of Light

Distance Fixture to Lighted Plane	Initial Footcandles at Nadir	L/W	
5.5'	20	7.1'	8.6'
7.5'	11	9.8'	11.8'
8'	10	10.4'	12.6'
10'	6	13.1'	15.6'
12'	4	15.7'	18.8'

Candela Distribution

Degrees Vertical	Candela
0	524
5	518
15	552
25	513
35	443
45	377
55	247
65	27
75	0
85	1
90	0

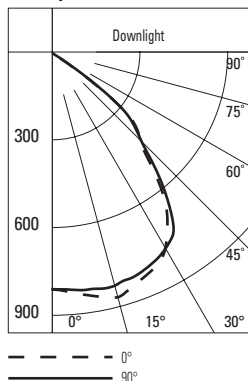
Zonal Lumen Summary

Zone	Lumens	%Fixture
0-30	516	33.2
0-40	881	56.6
0-60	1506	96.8
0-90	1556	100.0
90-180	0	0.0
0-180	1556	100.0

Luminance

Average Candela/M <sup>2</sup>	
Degrees	Avg. 0° Luminance
45	25881
55	20904
65	3101
75	0
85	557

Candlepower Distribution Curve



Test No. P13384  
 CD6142E 6CH1421LI  
 Lumens = 2400  
 Efficiency = 66.50%  
 Lamp = 32W TTT  
 SC (parallel - perpendicular) = 1.29 - 1.39

Cone of Light

Distance Fixture to Lighted Plane	Initial Footcandles at Nadir	L/W	
5.5'	27	6.9'	7.6'
7.5'	14	9.6'	10.2'
8'	13	10.2'	11'
10'	8	12.8'	13.8'
12'	6	15.4'	16.6'

Candela Distribution

Degrees Vertical	Candela
0	802
5	817
15	859
25	812
35	686
45	427
55	154
65	9
75	2
85	1
90	0

Zonal Lumen Summary

Zone	Lumens	%Fixture
0-30	673	42.1
0-40	1095	68.6
0-60	1583	99.1
0-90	1596	100.0
90-180	0	0.0
0-180	1596	100.0

Luminance

Average Candela/M <sup>2</sup>	
Degrees	Avg. 0° Luminance
45	29314
55	13033
65	1034
75	375
85	557