

DESCRIPTION

Low brightness 6-inch aperture reflector for use with 26W, 32W, or 42W Triple Twin Tube 4-pin compact fluorescent lamps for below ceiling installation. The precisely formed non-imaging optical reflector ensures 55° cutoff to lamp and lamp image and the one piece design eliminates light leaks at the ceiling. Standard features include low iridescent finish on all reflector colors to eliminate "rainbowing" and one electronic ballast to operate all 26W, 32W and 42W triple lamps. Venting ensures maximum lamp life and lumen output. Optics offer unparalleled performance in glare free lighting with a smooth beam devoid of hot spots. Open downlight, lens, and open wall wash reflectors are interchangeable within the same housing.

SPECIFICATION FEATURES

Reflector

.050 thick aluminum, in a one piece spun parabolic contour. Available in a variety of Alzak® finishes. Also available with white or black baffle. Positive reflector mounting, without tools, pulls trim tight to ceiling.

Trim Ring Options

Self flanged or molded white trim ring. Rimless or metal trim ring accessories available.

Socket Connector

One piece die cast aluminum connection allows venting for maximum thermal performance.

Housing Construction

Galvanized steel plaster ring accommodates up to 1" ceiling thickness.

Conduit Fittings

Die cast screw tight connectors.

Rotary Lock Socket

4 pin GX24q3/4 base with fatigue free stainless steel lamp spring ensures positive lamp retention.

Electronic Ballast

Electronic ballast provides full light output and rated lamp life. Provides flicker free and noise free operation and starting. End of lamp life protection is standard.

Labels

cULus listed, C.S.A. certified, standard damp label.



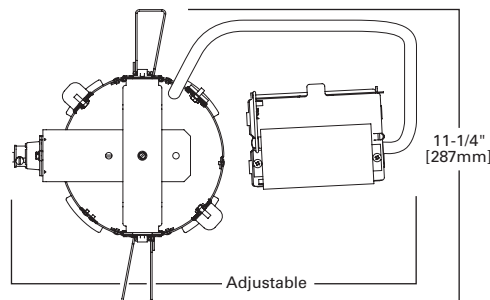
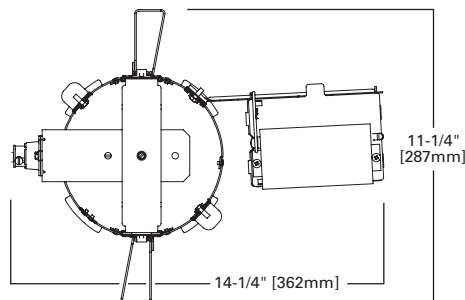
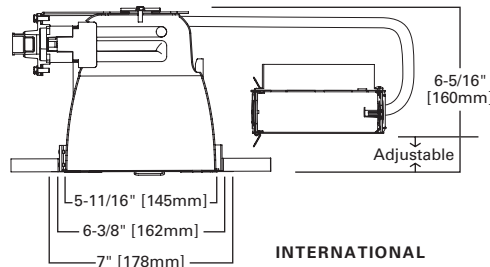
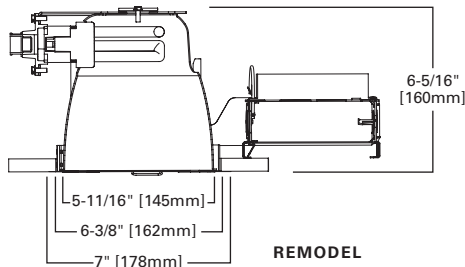
C6RH142 C6IH142 6150/6151

26W, 32W, or 42W

TTT or PLT

Compact Fluorescent

6-Inch Remodel/International
Horizontal Open Downlight



ENERGY DATA	
26W TTT 4-pin	
Ballast: Electronic	
120V Input Watts: 29	Line Amps: 0.25
277V Input Watts: 26	Line Amps: 0.09
Power Factor: >0.99	THD: <30%
Min. Starting Temperature: -10°C (15°F)	
Sound Rating: Class A Standards	
32W TTT 4-pin	
Ballast: Electronic	
120V Input Watts: 34.5	Line Amps: 0.30
277V Input Watts: 34.5	Line Amps: 0.13
Power Factor: >0.99	THD: <10%
Min. Starting Temperature: -10°C (15°F)	
Sound Rating: Class A Standards	

NOTES: Accessories should be ordered separately. For additional options, please consult your Cooper Lighting Solutions Representative. Alzak is a registered trademark of Aluminum Company of America.

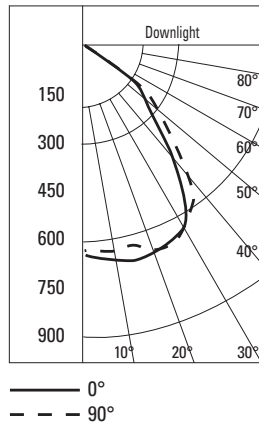
EXAMPLE: C6RH142ECP 6151LIWF=6" CFL Horizontal Remodel Downlight, 42 Watt Triple Tube 120/277 Volt, Chicago Plenum, Self Flanged with Specular Clear Finish

Housing	Wattage	Ballast	Options	Reflector	Finish	Options	Accessories
<p>C6RH=6" CFL Horizontal Remodel</p> <p>C6IH=6" CFL Horizontal International</p> <p>142=26/32/42W TTT or PLT</p>		<p>E=120/277V 50/60 Hz Electronic</p> <p>3E=347V 50/60 Hz Electronic</p> <p>D5LT26=26W 120-277V Fifth Light (DALI Dimming)</p> <p>D5LT32=32W 120-277V Fifth Light (DALI Dimming)</p> <p>D5LT42=42W 120-277V Fifth Light (DALI Dimming)</p> <p>3D5LT26/32=26 or 32W 347V Fifth Light (DALI Dimming)</p> <p>D26/32=26 or 32W 120-277V Dimming Lutron EcoSystem/ 3-Wire Control (Factory Wired for 3-Wire)</p> <p>D42=42W 120-277V Dimming Lutron EcoSystem/ 3-Wire Control (Factory Wired for 3-Wire)</p> <p>EDR26=DeRated Wattage Label, 26W</p> <p>EDR32=DeRated Wattage Label, 32W</p> <p>D26MARKVII=26W 120-277V Advance MARK7</p> <p>D32MARKVII=32W 120-277V Advance MARK7</p> <p>D42MARKVII=42W 120-277V Advance MARK7</p> <p>1D26MARKX=26W 120V Advance MARK 10</p> <p>1D32MARKX=32W 120V Advance MARK 10</p> <p>1D42MARKX=42W 120V Advance MARK 10</p> <p>2D26MARKX=26W 277V Advance MARK 10</p> <p>2D32MARKX=32W 277V Advance MARK 10</p> <p>2D42MARKX=42W 277V Advance MARK 10</p>	<p>EM=Emergency Module with Remote Test Switch</p>	<p>6151=Downlight Reflector, Self Flanged</p> <p>6150=Downlight Reflector, Polymer Trim Ring</p>	<p>LI=Specular Clear</p> <p>H=Semi-Specular Clear</p> <p>WMH=Warm Haze</p> <p>G=Specular Gold</p> <p>WHH=Wheat Haze</p> <p>GP=Graphite</p> <p>GPH=Graphite Haze</p> <p>B=Specular Black</p> <p>W=Gloss White</p> <p>BB=Black Baffle (6150 only)</p> <p>WB=White Baffle (6150 only)</p>	<p>WF=White painted Flange (Self Flanged only)</p>	<p>TRM6=Metal Trim Ring, Specify Finish¹</p> <p>TRR6=Rimless Trim Ring, White¹</p> <p>FK5=5 Amp Field Installable Fuse Kit 300V Max</p> <p>DT6=Deco trim¹</p> <p>ABR6P=Remodel Adaptor Ring for 7" OD</p> <p>ABR7P=Remodel Adaptor Ring for 8" OD</p> <p>ABR8P=Remodel Adaptor Ring for 9" OD</p>

Notes: ¹ Order trim with polymer trim ring (Consult specification sheet for ordering information and options).

PHOTOMETRICS

Candlepower Distribution Curve



Test No. H22212
C6RH132-6150
Lamp = 32W TTT
Lumens = 2400
Spacing Criteria: 0° = 1.3, 90° = 1.4
Efficiency = 54.5%

Cone of Light

Distance Fixture to Lighted Plane	Initial Footcandles at Nadir	Beam Diameter
5'6"	21	7'6"
6'6"	15	9'0"
8'0"	10	11'0"
10'0"	6	14'0"
12'0"	4	16'6"
14'0"	3	19'6"

Zonal Lumen Summary

Zone	Lumens	%Fixture
0-30	559	42.7
0-40	906	69.2
0-60	1301	99.4
0-90	1308	100.0
90-180	0	0.0
0-180	1308	100.0

Luminance

Degrees	CD/SQ M	
	0°	90°
45	24603	29368
55	22161	21884
65	750	880
75	0	0
85	0	0

Candela Distribution

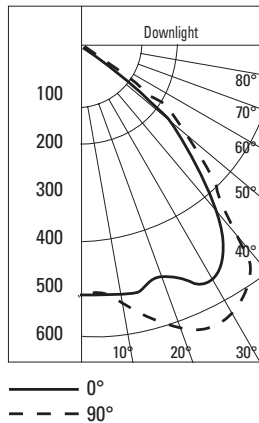
Degrees Vertical	Candela	
	0°	90°
0	647	647
5	660	643
15	680	659
25	655	657
35	507	574
45	286	341
55	209	206
65	5	0
75	0	0
85	0	0
90	0	0

Beam diameter is to 50% of maximum footcandles, rounded to the nearest half-foot.

Footcandle values are initial, apply appropriate light loss factors where necessary.

Reflector Multiplier: EM Multiplier
 Haze = .95 (in emergency mode):
 Straw = .90 EM = .52
 Wheat = .90

Candlepower Distribution Curve



Test No. H22214
C6RH132-6150
Lamp = 32W PLT
Lumens = 2400
Spacing Criteria: 0° = 1.4, 90° = 1.6
Efficiency = 55.9%

Cone of Light

Distance Fixture to Lighted Plane	Initial Footcandles at Nadir	Beam Diameter
5'6"	18	8'6"
6'6"	13	10'0"
8'0"	9	12'6"
10'0"	6	15'6"
12'0"	4	18'6"
14'0"	3	22'0"

Zonal Lumen Summary

Zone	Lumens	%Fixture
0-30	529	39.4
0-40	889	66.3
0-60	1333	99.4
0-90	1340	100.0
90-180	0	0.0
0-180	1340	100.0

Luminance

Degrees	CD/SQ M	
	0°	90°
45	28885	33582
55	20280	22320
65	779	952
75	0	0
85	0	0

Candela Distribution

Degrees Vertical	Candela	
	0°	90°
0	556	356
5	555	572
15	544	664
25	593	690
35	519	632
45	335	390
55	191	210
65	5	7
75	0	0
85	0	0
90	0	0

Beam diameter is to 50% of maximum footcandles, rounded to the nearest half-foot.

Footcandle values are initial, apply appropriate light loss factors where necessary.

Reflector Multiplier: EM Multiplier
 Haze = .95 (in emergency mode):
 Straw = .90 EM = .52
 Wheat = .90