

DESCRIPTION

Low brightness 6-inch aperture reflector for use with (1 or 2) 18W or 26W Quad Tube 4-pin compact fluorescent lamps for below ceiling installation. The precisely formed non-imaging optical reflector ensures a maximum 55° cutoff to lamp and lamp image and the one piece design eliminates light leaks at the ceiling. Standard features include low iridescent finish on all reflector colors to eliminate "rainbowing" and venting to ensure maximum lamp life and lumen output. Optics offer unparalleled performance in glare free lighting with a smooth beam. Open downlight, lens, and open wall wash trims are interchangeable within the same housing.

SPECIFICATION FEATURES

Reflector

.050 thick aluminum, in a one piece spun parabolic contour. Available in a variety of Alzak® finishes. Positive reflector mounting, without tools, pulls trim tight to ceiling. Also available with white or black baffle.

Trim Ring Options

Self flanged or molded white trim ring. Rimless metal trim ring accessories available.

Socket Connector

One piece die cast aluminum connection allows venting for maximum thermal performance.

Housing Construction

Galvanized steel plaster ring accommodates up to 1" ceiling thickness.

Conduit Fittings

Die cast screw tight connectors.

Rotary Lock Socket

26W lamps: 4-pin G24q3. 18W lamps: 4-pin G24q2 base. Bases have fatigue free stainless steel lamp spring to ensure positive lamp retention.

Electronic Ballast

Electronic ballast provides full light output and rated lamp life. Provides flicker free and noise free operation and starting. End of lamp life protection is standard.

Labels

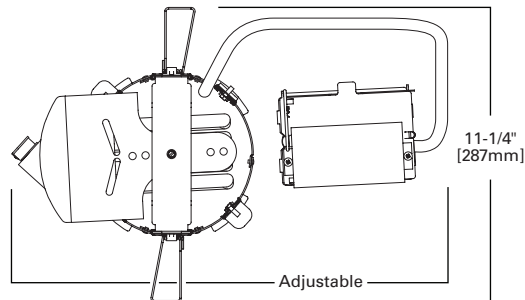
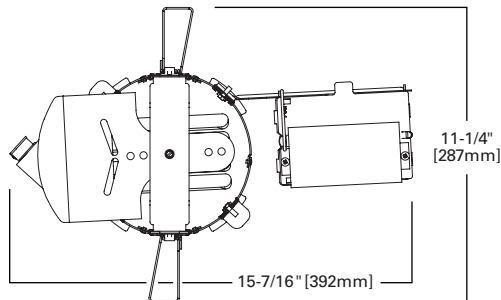
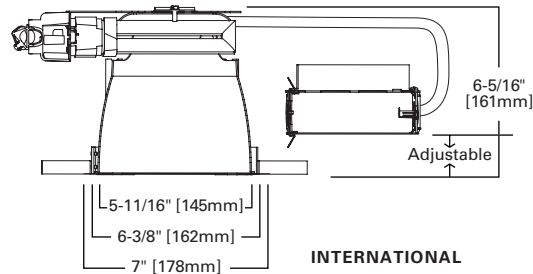
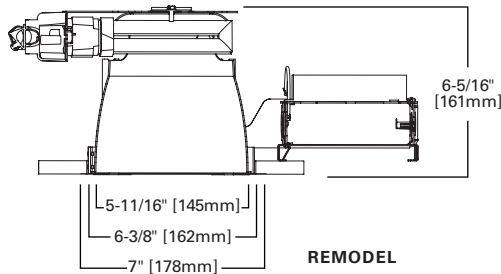
cULus listed, C.S.A. certified, standard damp label.



C6RH C6IH 6250/6251

(1 or 2)
18W or 26W DTT
Compact Fluorescent

6-Inch Remodel/International
Horizontal Downlight



ENERGY DATA	
(2) 18W Quad 4-pin	
Ballast: Electronic	
120V Input Watts: 37	Line Amps: 0.32
277V Input Watts: 37	Line Amps: 0.14
Power Factor: >0.99	THD: <10%
Min. Starting Temperature: -10°C (15°F)	
Sound Rating: Class A Standards	

(2) 26W Quad 4-pin	
Ballast: Electronic	
120V Input Watts: 50	Line Amps: 0.45
277V Input Watts: 50	Line Amps: 0.20
Power Factor: >0.99	THD: <10%
Min. Starting Temperature: -10°C (15°F)	
Sound Rating:	

NOTES: Accessories should be ordered separately. For additional options, please consult your Cooper Lighting Solutions Representative. Alzak is a registered trademark of Aluminum Company of America.

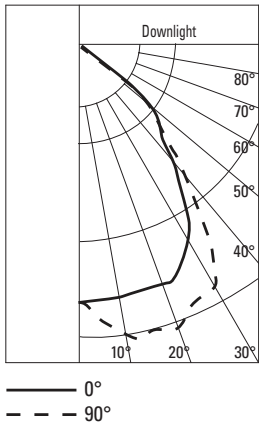
EXAMPLE: C6RH218ECP 6251LIWF=6" CFL Remodel Downlight, (2) 18Watt 120/277 Volt, Chicago Plenum, Self Flanged with Specular Clear Finish

Housing	Wattage	Ballast	Options	Reflector	Finish	Options	Accessories
C6RH=6" CFL Horizontal Remodel C6IH=6" CFL Horizontal International	218=(2) 18W DTT 226=(2) 26W DTT 118=(1) 18W DTT 126=(1) 26W DTT	E=120/277V 50/60 Hz Electronic 3E=347V 50/60 Hz Electronic D5LT=120-277V Fifth Light (DALI Dimming) 3D5LT=347V Fifth Light (DALI Dimming) (26W only) D=120-277V Dimming Lutron EcoSystem/3-Wire Control (Factory Wired for 3-Wire) DMARKVII=18W or 26W 120-277V Advance MARK 7 1DMARKX=18W or 26W 120V Advance MARK 10 2DMARKX=18W or 26W 277V Advance MARK 10	EM=Emergency Module with RemoteTest Switch	6251=Downlight Reflector, Self Flanged 6250=Downlight Reflector, Polymer Trim Ring	LI=Specular Clear H= Semi-Specular Clear WMH=Warm Haze G=Specular Gold WH=Wheat WHH=Wheat Haze GP=Graphite GPH=Graphite Haze B=Specular Black W=Gloss White BB=Black Baffle (6250 only) WB=White Baffle (6250 only)	WF=White painted Flange (Self Flanged only)	TRM6=Metal Trim Ring, Specify Finish ¹ TRR6=Rimless Trim Ring, White ¹ FK5=5 Amp Field Installable Fuse Kit 300V Max DT6=Deco trim ¹ ABR6P=Remodel Adaptor Ring for 7" OD ABR7P=Remodel Adaptor Ring for 8" OD ABR8P=Remodel Adaptor Ring for 9" OD

Notes: ¹Order trim with polymer trim ring
(Consult specification sheet for ordering information and options).

PHOTOMETRICS

Candlepower Distribution Curve



Test No. H22270 C6RH218-6251LI Lamp = (2) 18W DTT Lumens = 1200 each Spacing Criteria: 0° = 1.2, 90° = 1.4 Efficiency = 47.0%
--

Zonal Lumen Summary

Zone	Lumens	%Fixture
0-30	520	46.1
0-40	818	72.5
0-60	1117	99.1
0-90	1127	100.0
90-180	0	0.0
0-180	1127	100.0

Luminance

Degrees	CD/SQ M	
	0°	90°
45	22060	24180
55	10613	10698
65	966	980
75	612	639
85	419	419

Candela Distribution

Degrees Vertical	0° 90°	
	0	575
5	573	596
15	559	663
25	547	628
35	413	518
45	256	281
55	100	101
65	7	7
75	3	3
85	1	1
90	0	0

Cone of Light

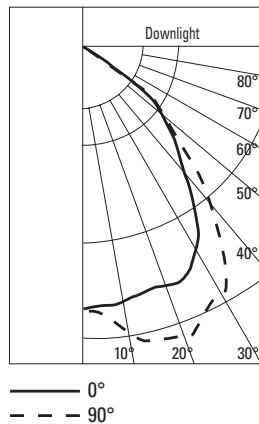
Distance Fixture to Lighted Plane	Initial Footcandles at Nadir	Beam Diameter
4'6"	28	6'0"
5'6"	19	7'0"
6'6"	14	8'6"
8'0"	9	10'6"
10'0"	6	13'0"
12'0"	4	16'0"

Beam diameter is to 50% of maximum footcandles, rounded to the nearest half-foot.

Footcandle values are initial, apply appropriate light loss factors where necessary.

Reflector Multiplier: EM Multiplier
Haze = .95 (in emergency mode):
Straw = .90 EM = .26
Wheat = .90

Candlepower Distribution Curve



Test No. H22271 C6RH226-6251LI Lamp = (2) 26W DTT Lumens = 1800 each Spacing Criteria: 0° = 1.3, 90° = 1.4 Efficiency = 40.6%
--

Zonal Lumen Summary

Zone	Lumens	%Fixture
0-30	663	45.3
0-40	1051	71.3
0-60	1449	99.1
0-90	1463	100.0
90-180	0	0.0
0-180	1463	100.0

Luminance

Degrees	CD/SQ M	
	0°	90°
45	30023	33056
55	13364	13842
65	1254	1298
75	800	824
85	489	489

Candela Distribution

Degrees Vertical	0° 90°	
	0	732
5	728	759
15	702	846
25	699	806
35	545	660
45	348	384
55	126	130
65	9	9
75	3	4
85	1	1
90	0	0

Cone of Light

Distance Fixture to Lighted Plane	Initial Footcandles at Nadir	Beam Diameter
5'6"	24	7'6"
6'6"	17	8'6"
8'0"	11	10'6"
10'0"	7	13'6"
12'0"	5	16'0"
14'0"	4	18'6"

Beam diameter is to 50% of maximum footcandles, rounded to the nearest half-foot.

Footcandle values are initial, apply appropriate light loss factors where necessary.

Reflector Multiplier: EM Multiplier
Haze = .95 (in emergency mode):
Straw = .90 EM = .18
Wheat = .90