

DESCRIPTION

The INDEX by Neo-Ray brings the power of Wavestream to limitless applications with a suspended direct indirect LED luminaire marking the beginning of a new era now unconfined by linear fluorescent lamps. By utilizing standard or custom spacing, the precision optical panels can be placed exactly where they are most effective, dramatically reducing power consumption while simultaneously improving the overall quality of the space. The Neo-Ray Index is shipped with standard 0-10V dimming drivers, but is specifiable with integral FifthLight DALI, integral emergency battery packs, and daylight/occupancy sensors. Available in 2', 4', 6', 8', 12' individual lengths and continuous runs, the Index can be suspended throughout a corridor, conference room or entire open office.

SPECIFICATION FEATURES

Construction

Extruded 6063 aluminum channel housing. Optical panels constructed from 6063 extruded aluminum and die-cast endcaps.

Optics

Precision formed optical assembly with optical grade acrylic lenses providing a directed optical distribution using WaveStream technology.

Controls

Fixtures equipped standard with 0-10V continuous dimming drivers compatible with most standard 0-10V control/dimmers. Dimming range is 5% to 100%; varies by control

device. Combine with energy-saving products like occupancy sensors, daylighting controls, and lighting relay panels from Cooper Lighting Solutions (www.cooperlighting.com) to maximize energy savings.

Electrical

Long-life LED system coupled with electrical driver to deliver optimal performance. LED's available in 3000K, 3500K or 4000K with a typical CRI ≤ 82. Projected life is 60,000 hours at 82% lumen output. Electronic drivers are available for 120-277V applications.

Finish

Fixture housings are finished in standard white or silver using electrostatically applied polyester powder coat paint.

Mounting

Pendant with adjustable single cable and circular canopy. Standard length of cable provided is 48".

SCJB = Single Cable – Junction Box
SCETG = SC on 16/15" T-Grid
SCSTG = SC on 9/16" Slot T-Grid
SCFTG = SC on 9/16" Fine T-Grid
SCSR = SC on Sheet Rock

Warranty

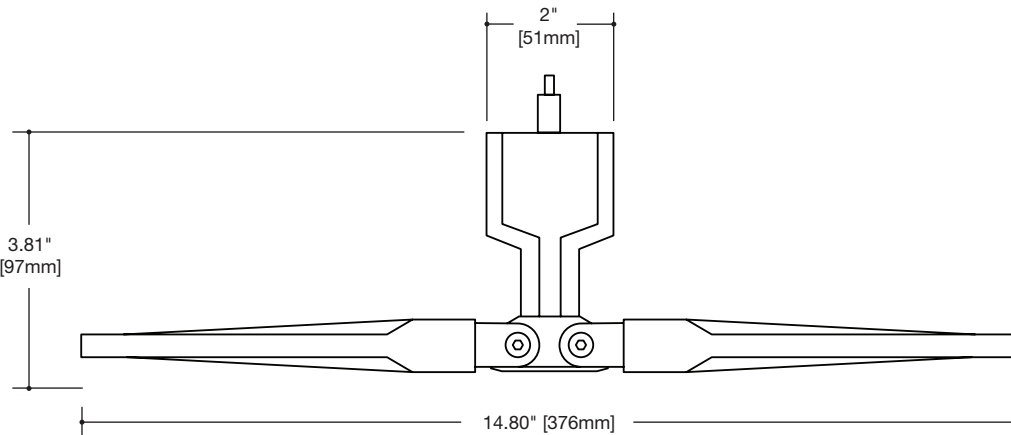
Five year warranty.



Index 2ft Individual

LED

Suspended
Direct/ Indirect



ORDERING INFORMATION

Sample Number: 901DIP-2L35-UD0201-SCSTG-11DD-STDEM-WP20

901	P							DD				
Series 901 = Index	Mounting P = Pendant	LED Color Temp L30 = LED, 3000K L35 = LED, 3500K L40 = LED, 4000K	Run Length Individual D02 = 2ft Individual	Mounting Type SCJB = Single Cable SCETG = SC on ETG SCSTG = SC on STG SCFTG = SC on FTG SCSR = SC on Structure	Driver DD = Dimming Driver	Wiring Options EM = Battery Pack EC = Emergency Circuit DS = Daylight Sensor OS = Occupancy Sensor	Light Output DI = Direct/Indirect D = Direct	Light Level LED (3500K) 2ft Panel Pair 1 = Light Level 1 3136 Lumens, 32 Watts 2 = Light Level 2 4291 Lumens, 47 Watts	Wing Aim U = Up F = Flat D = Down	Configuration Type 01 = see page 3 02 = see page 3	Driver Options STD = 0-10V Dimming Driver 5LT = FifthLight DALI Driver LUT = Lutron DALI Driver	Color Options W = Matte White S = Silver
										Voltage 1 = 120V 2 = 277V 3 = 347V U = Universal	Circuiting 1 = Single Circuit 2 = Dual Circuit (consult factory for circuit location)	Options PXX = Perf Perc. UP

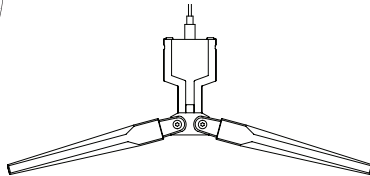
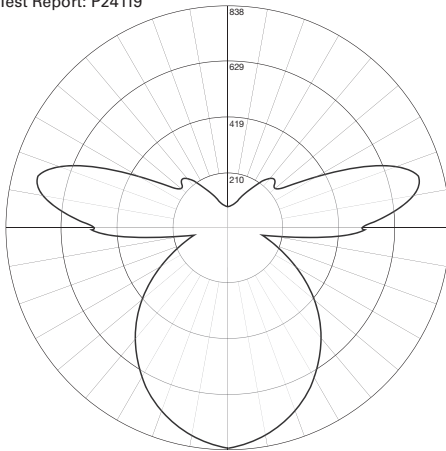
NOTES:

1. Not all options available. Please consult your local Cooper Lighting Solutions Representative for availability.
 2. Specifications and dimensions subject to change without notice.

S901DIP-2L35-D02XXD

Lamp: (84) 3500K LEDs
Input Watts: 47.08
Efficacy: 89.7 Lm/W
Mounting: HORIZONTAL

Test Report: P24119



Coefficients of Utilization

Effective floor cavity reflectance 0.20

Table with columns for rc (80%, 70%, 50%, 30%, 10%, 0%) and rows for RCR (0-10) and rw (70, 50, 30, 10).

Zonal Lumen Summary

Table with columns for Zone, Lumens, and % Fixture, showing values for 0-30, 0-40, 0-60, 0-90, and 0-180 degrees.

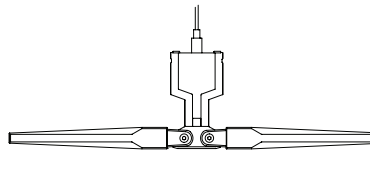
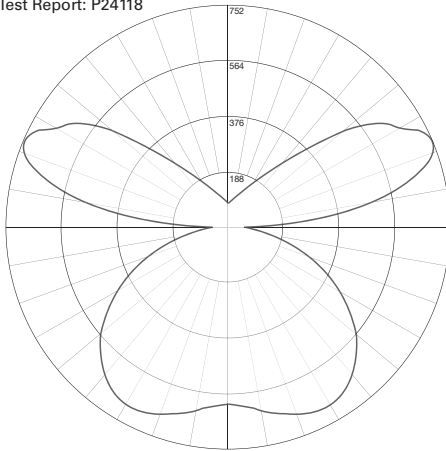
Candela

Table with columns for Angle (0, 5, 15, 25, 35, 45, 55, 65, 75, 85, 90, 95, 105, 115, 125, 135, 145, 155, 165, 175, 180) and rows for 0-Deg, 45-Deg, 90-Deg.

S901DIP-2L35-D02XXF

Lamp: (84) 3500K LEDs
Input Watts: 47.08
Efficacy: 91.1 Lm/W
Mounting: HORIZONTAL

Test Report: P24118



Coefficients of Utilization

Effective floor cavity reflectance 0.20

Table with columns for rc (80%, 70%, 50%, 30%, 10%, 0%) and rows for RCR (0-10) and rw (70, 50, 30, 10).

Zonal Lumen Summary

Table with columns for Zone, Lumens, and % Fixture, showing values for 0-30, 0-40, 0-60, 0-90, and 0-180 degrees.

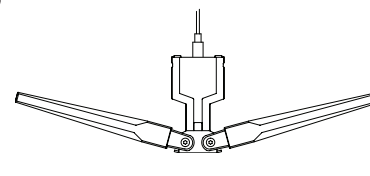
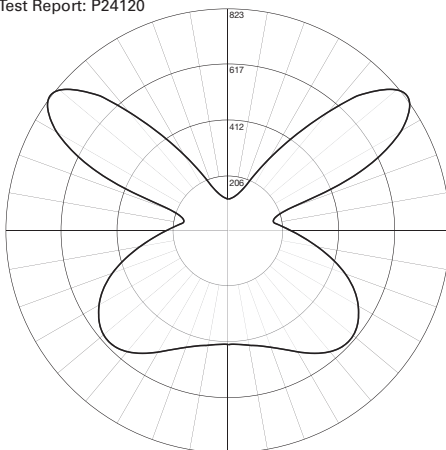
Candela

Table with columns for Angle (0, 5, 15, 25, 35, 45, 55, 65, 75, 85, 90, 95, 105, 115, 125, 135, 145, 155, 165, 175, 180) and rows for 0-Deg, 45-Deg, 90-Deg.

S901DIP-2L35-D02XXU

Lamp: (84) 3500K LEDs
Input Watts: 47.08
Efficacy: 89.4 Lm/W
Mounting: HORIZONTAL

Test Report: P24120



Coefficients of Utilization

Effective floor cavity reflectance 0.20

Table with columns for rc (80%, 70%, 50%, 30%, 10%, 0%) and rows for RCR (0-10) and rw (70, 50, 30, 10).

Zonal Lumen Summary

Table with columns for Zone, Lumens, and % Fixture, showing values for 0-30, 0-40, 0-60, 0-90, and 0-180 degrees.

Candela

Table with columns for Angle (0, 5, 15, 25, 35, 45, 55, 65, 75, 85, 90, 95, 105, 115, 125, 135, 145, 155, 165, 175, 180) and rows for 0-Deg, 45-Deg, 90-Deg.

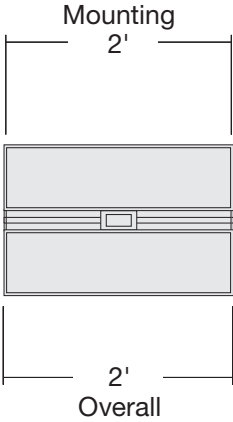
02-01 Configuration

S901DIP-2L35-D02-01

Delivered Lumens: 4200

Total Input Watts: 47

Fixture Weight: ~17 lbs*



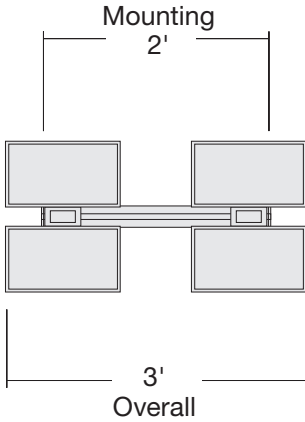
02-02 Configuration

S901DIP-2L35-D02-02

Delivered Lumens: 4200

Total Input Watts: 47

Fixture Weight: ~17.5 lbs*



* All weights are approximate; please consult factory drawing for exact weights and dimensions.