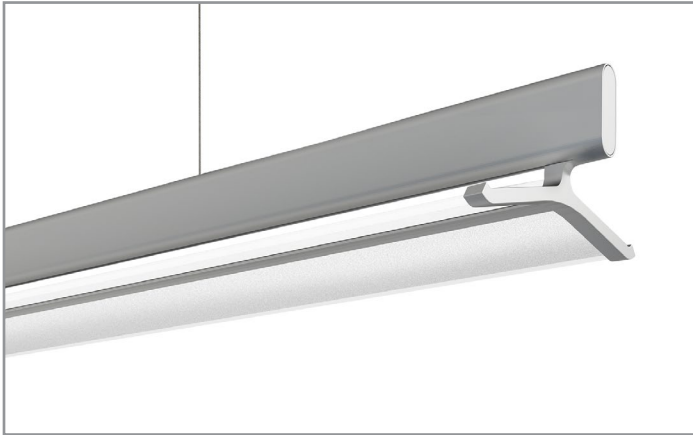


Project		Catalog #		Type	
Prepared by		Notes		Date	



# Neo-Ray

## Converge

WaveStream™ LED  
Suspended Direct / Indirect

### Typical Applications

Office • Education • Healthcare • Hospitality • Retail • Sports Venues

### Interactive Menu

- Order Information [page 2](#)
- Photometric Data [page 3](#)
- Driver Table [page 3](#)
- Mounting [page 4](#)

### Product Certification



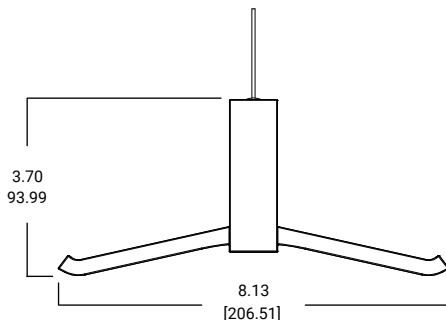
### Product Features



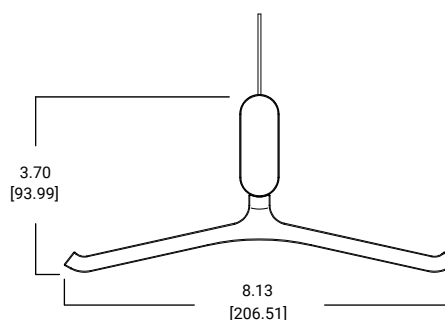
### Top Product Features

- Curved WaveStream™ optic provides ideal direct/indirect distribution
- LuxWire™ powered aircraft cable suspension system
- Proprietary light mixing chamber provides industry leading uniformity
- 3000K, 3500K, and 4000K correlated color temperatures available
- 0-10V dimming standard; DALI dimming available

### Dimensions



S920DIP Rectilinear



S921DIP Curvilinear

[additional product diagrams](#)

## Order Information

SAMPLE ORDER NUMBER: **S920DIP-W335-PT12S4-UDD-W**

Series	Optics	Light Level @ 3500K (Nominal Lms / 4' section)	CCT	Ceiling Type	Row Length	Linear Configurations
<b>S920DIP</b> =Rectilinear Direct / Indirect Pendant  <b>S921DIP</b> =Curvilinear Direct / Indirect Pendant	<b>-W</b> =Wavestream Up 40% / Down 60%	<b>1</b> =Light Level 1 (2100 lm) <b>2</b> =Light Level 2 (3200 lm) <b>3</b> =Light Level 3 (4300 lm) <b>4</b> =Light Level 4 (5400 lm) <b>5</b> =Light Level 5 (6500 lm)	<b>30</b> =3000K <b>35</b> =3500K <b>40</b> =4000K  ≥ 85 CRI typ.	<b>-GD</b> =On-Grid (includes teg) <b>-PT</b> =Pierced Tile Grid <b>-SF</b> =Sheet Rock Flush (Mud Flange) <b>-SR</b> =Sheet Rock with proud cover plate <b>-ST</b> =Structure Mount	<b>4</b> =4' Individual <b>8</b> =8' Individual <b>XXX</b> =Specify row length in 4' increments	<b>S</b> =Standard <b>B</b> =Balanced * Please refer to config. table on page 4 for valid configurations
<b>Notes</b>	<b>Notes</b>	<b>Notes</b> Consult driver table for valid Driver & Light Level configurations. Additional light levels available. Please consult factory for specific details.	<b>Notes</b>	<b>Notes</b>	<b>Notes</b> Consult driver table for valid Driver & Light Level configurations. All lengths are nominal. Please refer to submittal drawings for actual sizes.	<b>Notes</b> Consult driver table for valid Driver & Light Level configurations. Price adder will apply to Balanced configurations - please consult online configuration tool and/or price guide.

Cable Mounting Centers	Voltage	Driver Options	Finish	Integral Emergency	Downlight Kits	Options
<b>2</b> =24" <b>4</b> =48" (Standard) <b>8</b> =96" (8' Individual Only) * Please refer to config. table on page 4 for valid configurations	<b>-U</b> =Universal 120-277 VAC <b>-3</b> =347 VAC <b>-48</b> =48 VDC	<b>DD</b> =Standard 0-10V (1%-100%) <b>DCD</b> =0-10V (.1%-100%) <b>5LT</b> =Fifth Light DALI (10%-100%) <b>5LTHD</b> =Fifth Light DALI (.1%-100%) <b>STP</b> =Step Dim <b>L5</b> =Lutron LDE5 w/Ecosys <b>LH</b> =Lutron LDE1 w/Ecosys <b>DD3</b> =347V 0-10 (5%-100%) <b>LV1</b> =DLVP Driver	<b>-W</b> =White <b>-S</b> =Silver <b>-B</b> =Black <b>-C</b> =Custom Color	<b>-EL7W</b> =Integral Battery Pack <b>-EL14W</b> =Integral Battery Pack <b>-RRU</b> =UL924 ETR Emergency Bypass Relay	<b>-PC</b> =Perf Cover <b>-SC</b> =Solid Cover (100% down)	<b>CP</b> =Chicago Plenum <b>LWTPD1</b> =Tilemount Lumawatt Pro Wireless Sensor
<b>Notes</b> 96" option available on 8ft length GD and PT configurations.	<b>Notes</b> 347VAC requires DD3 driver option.  48VDC requires LV1 driver option.	<b>Notes</b> Consult driver table for valid driver & light Level configurations.  347VAC only valid with driver option DD3.  Voltage selection of 48VDC only valid with DLVP Driver option LV1. Not available as standard product on structure mount configuration as connector exits top side of driver box. LV1 not available with ST structure mount configuration due to rear mount connector interference with ceiling.	<b>Notes</b> All mounting hardware finished with white powder coated finish. Contact factory for additional options.	<b>Notes</b> EL7W, EL14W and RRU require Voltage selection U. Emergency section default is section 1 - contact factory for custom emergency requirements / locations. Battery will be internal when possible.  Type GD/PT (all lengths): Pre-wired Battery/RRU and pre-wired battery test switch can be tile-mounted or mounted in the cover of a junction box.  Type SR/SF/ST (4ft remote box): Battery/RRU internal and pre-wired, battery test switch is internally mounted.  Type SR/SF/ST (2ft remote box) - Contact factory for availability. Battery pack is external, pre-wired with flexible conduit, remote test switch can be tile-mounted or mounted in the cover of a junction box. RRU and sensor not available with 2 driver configurations.  RRU option will provide switching for both power and dimming wires for applications requiring a UL924 transfer device. RRU not available with DLVP driver.	<b>Notes</b>	<b>Notes</b> Sensor will be pre-wired and ready for remote tile-mount. Passive infrared occupancy technology. Closed loop, dimming daylight harvesting sensing technology, ~144 sq ft coverage pattern.  LWTPD1 required driver selection DD or DCD.

## Product Specifications

### Construction

- Housing trim extruded from 6063 aluminum
- Nominal 4' and 8' sections
- Used in run configuration and/or individual fixtures
- All components are RoHs compliant

### Optics

- Curved optical grade acrylic embedded with patented WaveStream Accu-Aim™ optics for optimal distribution, excellent uniformity, and high performance
- Light engine becomes virtually clear in the off-state

### Finish

- Fixture housing trims are finished with an electrostatically applied polyester powder coat paint for long lasting durability

### Mounting

- Grid, Pierced-Tile, Surface, Sheetrock and Flangless Sheetrock

### Electrical

- Long-life LED system powered by a remote driver through low-voltage aircraft cable to deliver optimal performance
- LED's are available in 3000K, 3500K or 4000K with a typical CRI ≥ 85
- Projected life is 193k hours at 70% lumen output for most configurations
- Electronic drivers are available for 120-277V and 347V applications
- Cable suspension length of 10ft (max length) ships as standard and is cut to length after installation.

### Controls

- Equipped standard with a 0-10V continuous dimming driver compatible with most standard dimming devices (refer to website for specific compatibility reference)
- Combine with FifthLight DALI and other energy saving products like sensors, daylighting controls and building management systems to maximize energy savings

### Compliance

- cULus listed for damp locations
- RoHs compliant
- IC rated
- Tested to IESNA LM-79 and LM-80
- For Chicago plenum, specify CP in fixture options

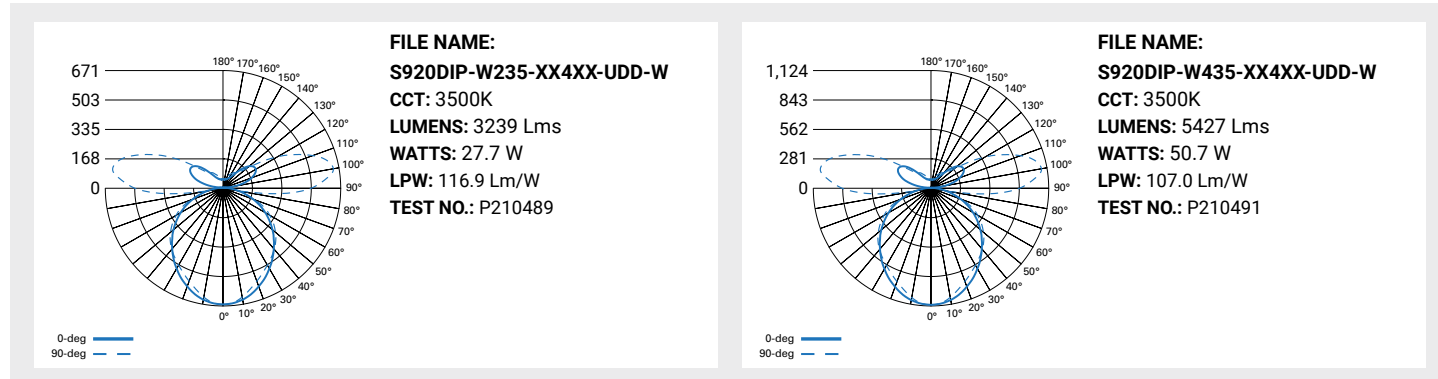
### Warranty

- Five year warranty standard.

## Photometric Data

[View IES files](#)

All data certified to LM-79 standards in a NAVLAB approved testing facility



### LUMEN MAINTENANCE @ 25°C

Light Level	TM-21 Lumen Maintenance (60,000 hours)	Theoretical L70 (Hours)
1, 2, 3, 4	89.34	193,000
5	84.75	129,000

### LUMEN PACKAGE DETAIL (3500K)

Fixture Length	Light Level	Total Lumen Output (lms)	Power Consumption (W)	Efficacy (LPW)
4'	1	2150	18.7	118.8
	2	3239	27.7	116.9
	3	4333	38.5	112.6
	4	5427	50.7	107.0
	5	6754	68.0	99.3

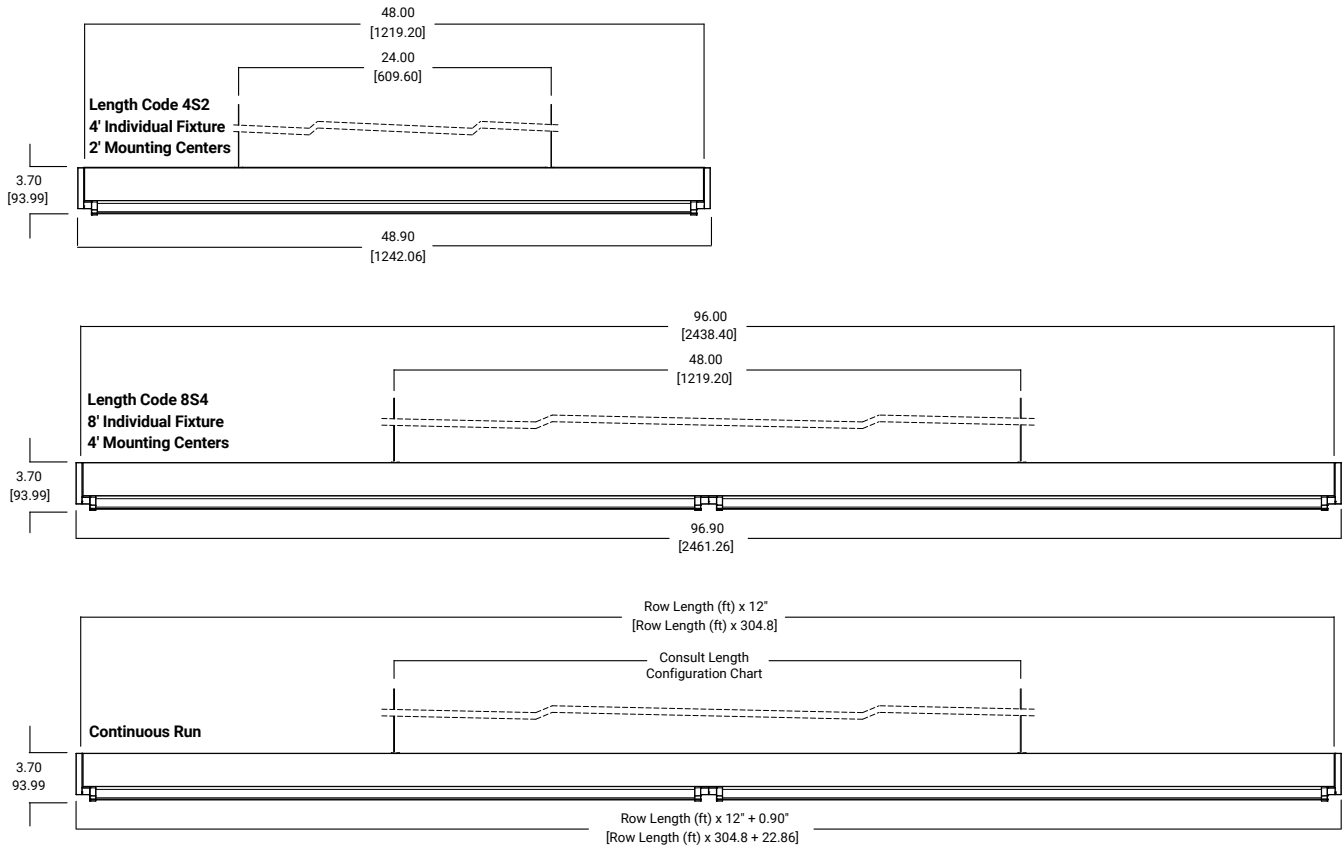
DD Driver, Data from Test Reports P210488-P210492

### Driver Table

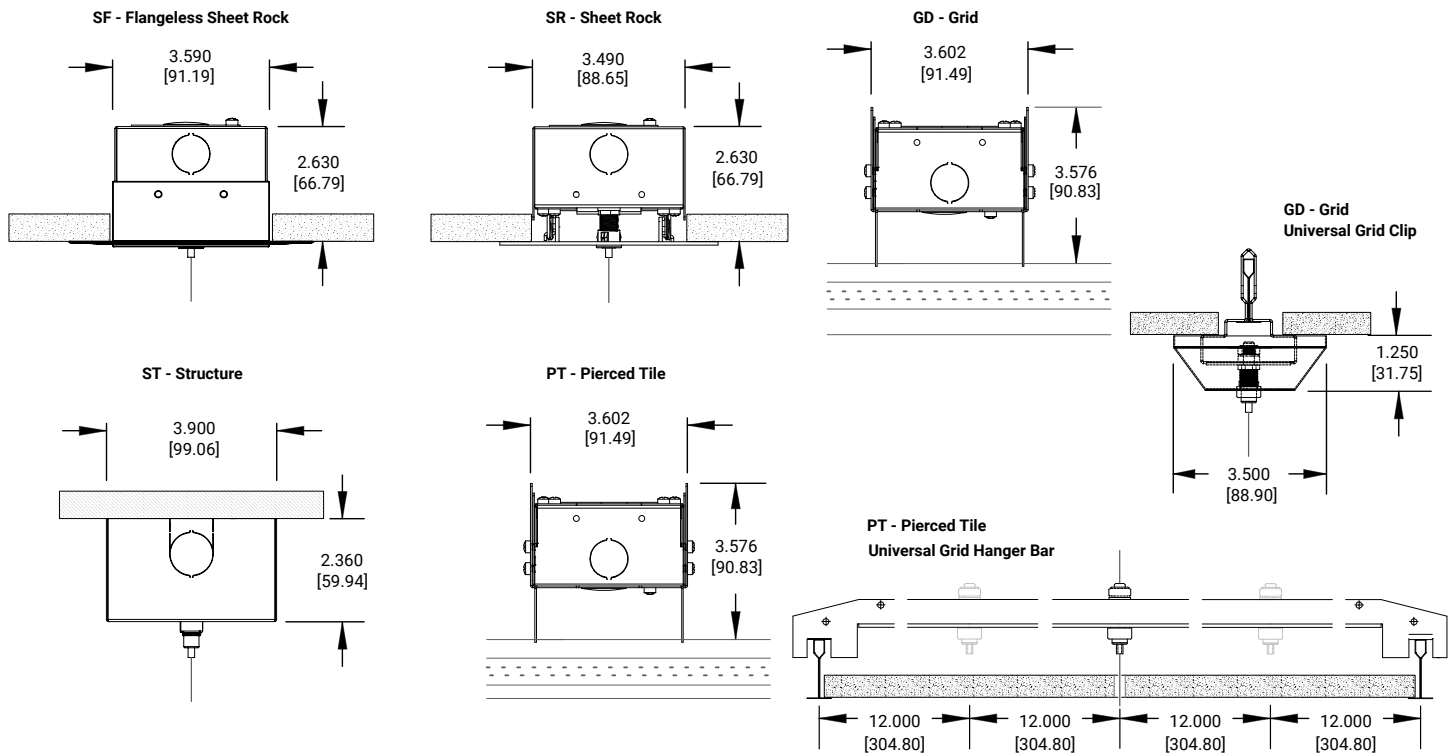
# of Drivers	4' Fixture (Light Level)					8' Fixture (Light Level)				
	Driver Type	L1	L2	L3	L4	L5	L1	L2	L3	L4
DD	1	1	1	1	2	1	1	2	2	N/A
DCD	1	1	1	1	2	1	1	2	2	N/A
5LT	1	1	1	1	1	1	1	1	2	2
5LTHD	1	1	1	1	2	1	1	2	2	N/A
STP	N/A	N/A	1	1	1	1	1	2	2	N/A
LH	1	1	1	1	1	1	1	1	2	2
L5	1	1	1	1	N/A	1	1	N/A	2	N/A
DD3	1	1	1	1	1	1	1	2	2	2
LV1	1	1	1	1	1	1	1	2	2	2

Double cable drops consisting of two powered aircraft cables spaced approximately 5/8" apart are utilized in all configurations with two drivers as well as all 4ft configurations (reference length configuration chart on pg 4) with a center cable location.

## Dimensions



## Mounting



## Length Configuration Chart

