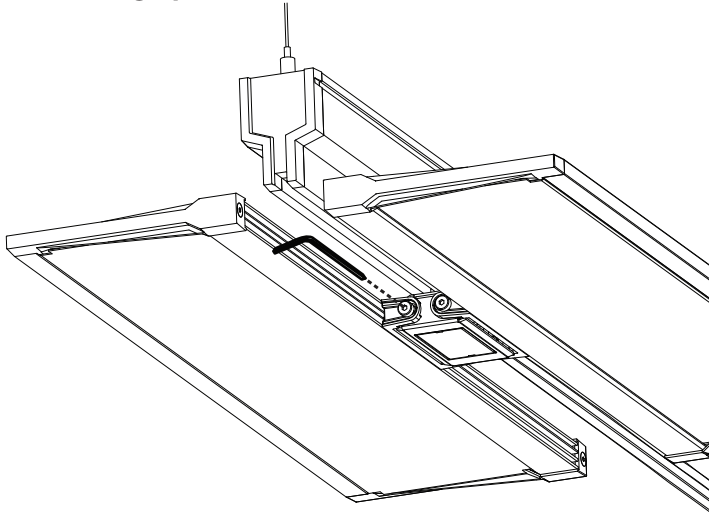


Index Series
Optical Panel Adjustment

WARNING: Before starting any work ensure that all sources of power are turned off. All work must meet local/national electrical codes and be performed by a certified electrician.

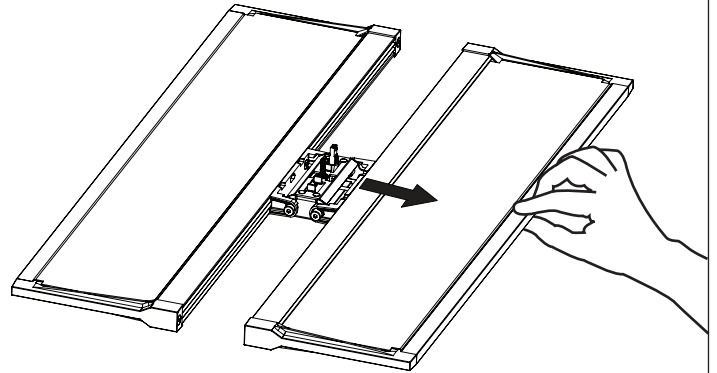
1. Loosening Optical Panel



- A.** Using CLEAN work gloves, carefully loosen bolts on each side of optical panel knuckle using 1/8" allen key.
- B.** Do not remove bolts, simply loosen them.

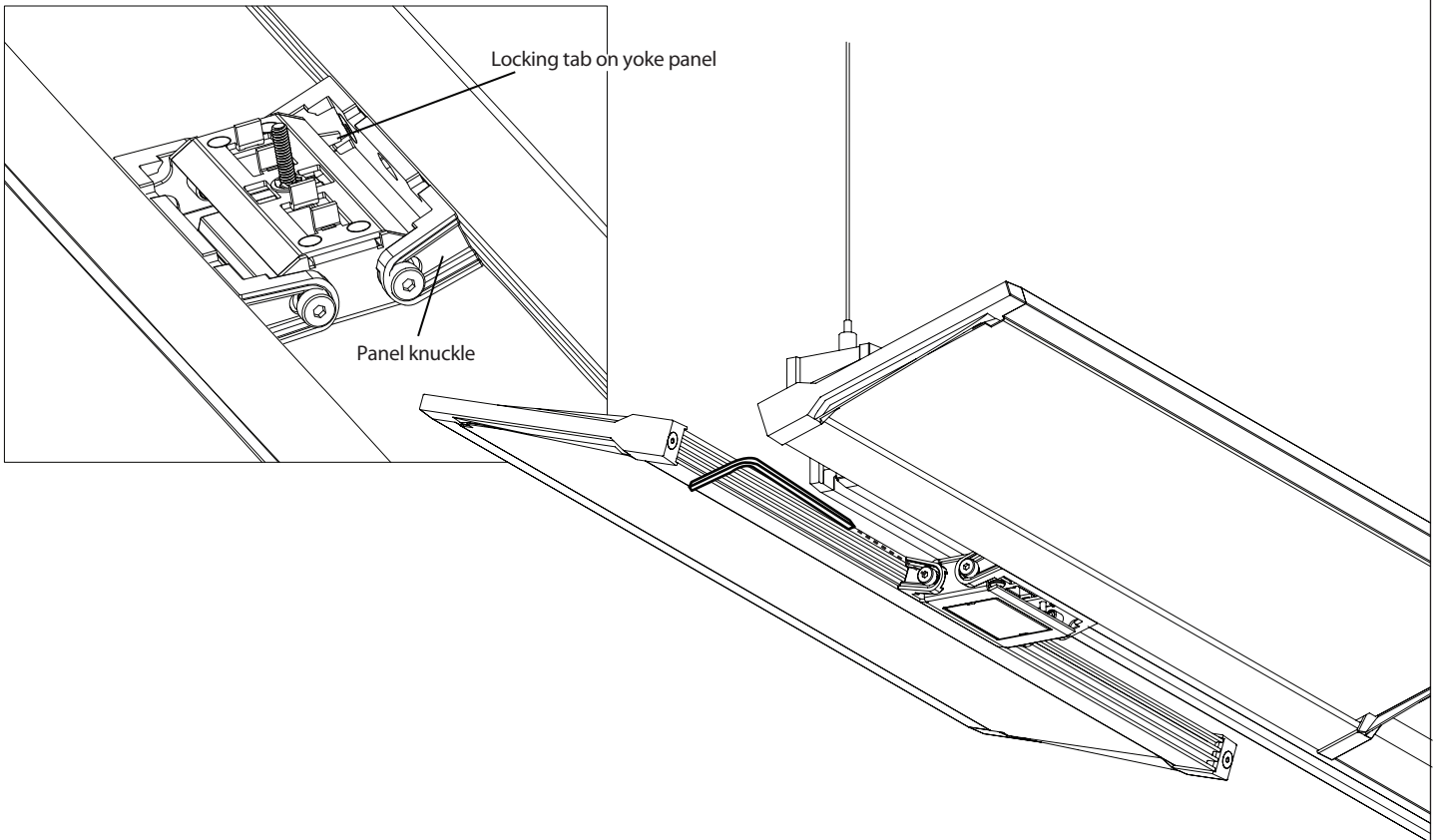
NOTE: AVOID CONTACT WITH LENSES

2. Adjusting Optical Panel



- A:** Once both bolts are loose, grasp panel on front edge and gently pull panel away from knuckle.
- B:** Wing will adjust to 15 degrees up or 15 degrees down.

3. Securing Optical Panel



- A.** Rotate wing until locking tab on panel yoke seats into wing knuckle at desired angle. Push panel back towards fixture channel to lock into place.
- B.** Once locked into place, retighten bolts on both sides of panel knuckle using 1/8" allen key.

Not all options available. Please consult your Cooper Lighting Solutions Representative for availability. Specifications and Dimensions subject to change without notice.