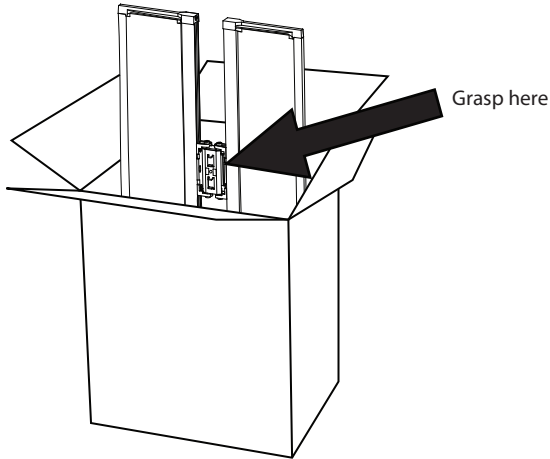


**Index Series**  
**Safe Handling of Wavetream Optics**

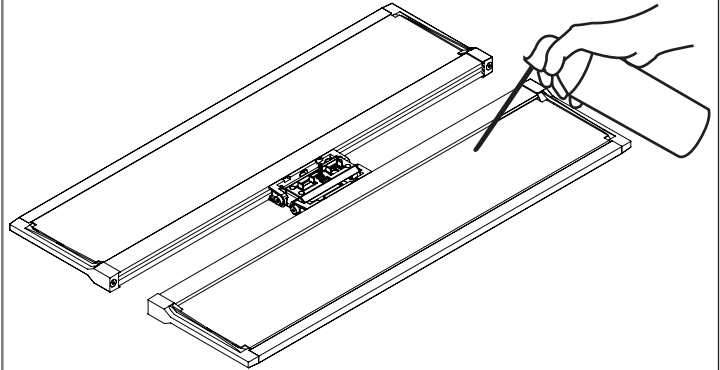
**WARNING:** Before starting any work ensure that all sources of power are turned off. All work must meet local/national electrical codes and be performed by a certified electrician.

**1. Removing Optical Panels from Packaging**



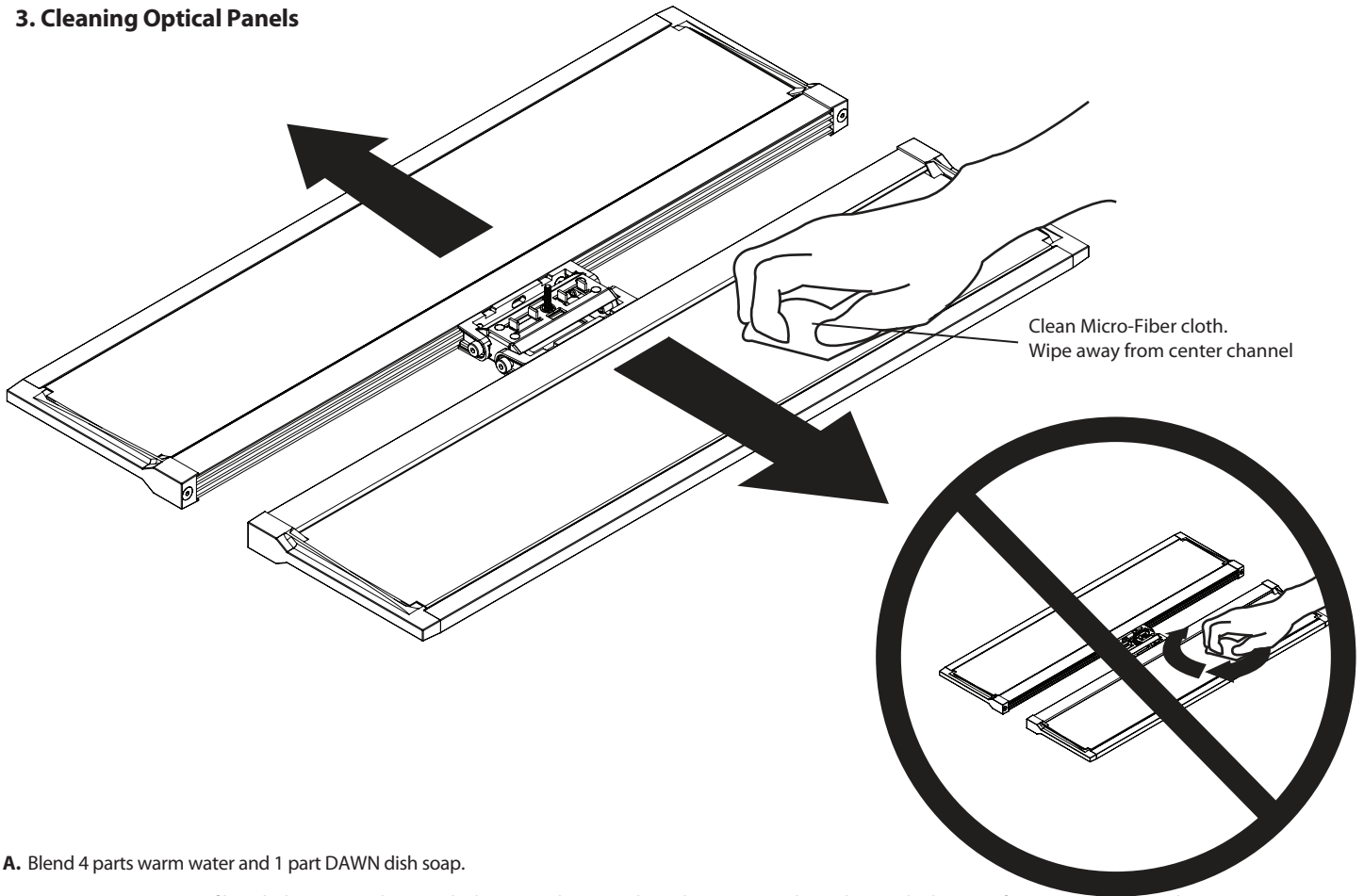
- A.** Using CLEAN work gloves, carefully remove fixture channel from packaging by grasping at panel yoke
  - B.** Leave plastic wrap on panels until installation is complete
- NOTE: AVOID CONTACT WITH LENSES**

**2. Removing Dust from Optical Panels**



- BEST:** Using aerosol dusting spray, gently blow dust from top of optical panels.
- GOOD:** Using CLEAN Swiffer, VERY gently brush dust from top of optical panels.
- NO:** DO NOT rub dust from top of fixture with cleaning cloth or dirty duster.

**3. Cleaning Optical Panels**



- A.** Blend 4 parts warm water and 1 part DAWN dish soap.
- B.** Dampen CLEAN micro fiber cloth (or equivalent) with cleaning solution and gently wipe optical panel in single direction from LED source to edge.
- C.** Gently dry optical panels with micro-fiber cloth (or equivalent).

Not all options available. Please consult your Cooper Lighting Solutions Representative for availability. Specifications and Dimensions subject to change without notice.