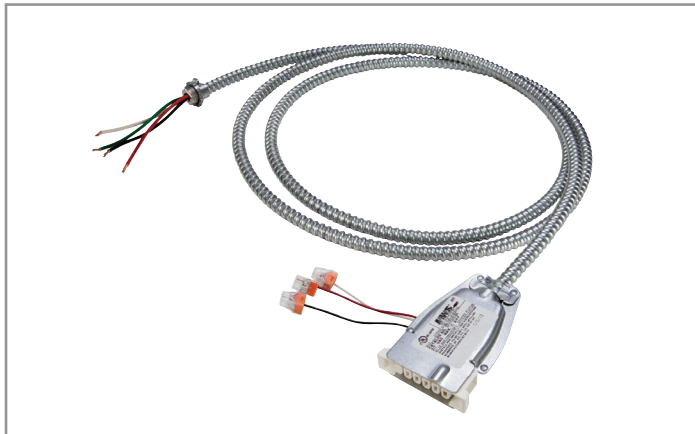


| | | | | | |
|-------------|--|-----------|--|------|--|
| Project | | Catalog # | | Type | |
| Prepared by | | Notes | | Date | |



MWS

SF

Starter Fixture Cable Modular Wiring Systems

Typical Applications

Office • Education • Healthcare • Hospitality • Retail • Industrial
• Manufacturing • Sports Venues

Interactive Menu

- Order Information page 2
- Product Specifications page 2
- Product Warranty

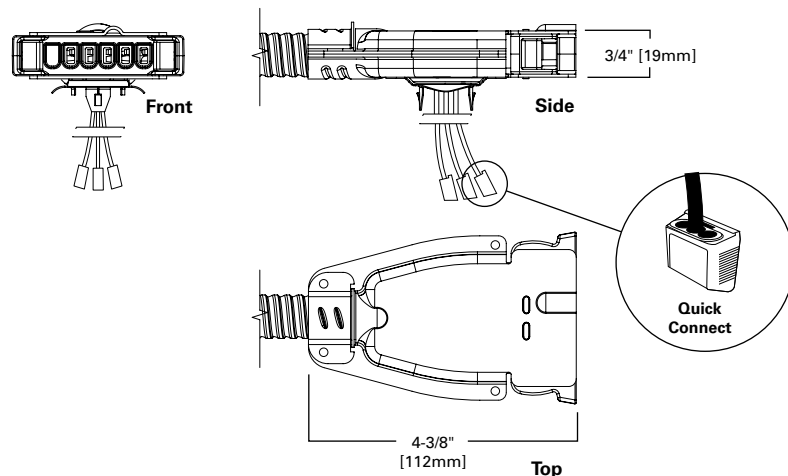
Product Certification



Top Product Features

- UL Listed under Standard 183 for make or break under load
- Meets requirements of Article 604 of the National Electrical Code
- Rated at 20 amperes with full-size ground wire
- THHN insulated conductors rated at 90°C; 18AWG solid TFN fixture leads
- Galvanized steel exterior with integral keying for voltage

Dimensional and Mounting Details



Order Information

SAMPLE ORDER NUMBER: 27SF12/2G09

| Voltage | Component | Conductors and Size | Cable Length (Feet) | Options |
|-------------------------------|--------------------------|---|---------------------------|---|
| 12=120V 27=277V 34=347V | SF=Starter Fixture Cable | 12/2G=#12, 2 Conductors Plus Ground 12/3G=#12, 3 Conductors Plus Ground 12/4G=#12, 4 Conductors Plus Ground | 09=9' 15=15' 21=21' | 2N=2 Neutral ⁽¹⁾ Notes (1) 12/4G only. |

Product Specifications

- UL Listed under Standard 183 for make or break under load
- MWS components assembled with 12 AWG/10 AWG conductors rated at 20 amperes with full size ground wire
- THHN insulated conductors rated at 90°C with 16 AWG solid TFN fixture leads. All leads come with pushwire connectors
- Galvanized steel exterior with integral keying for voltage and amperage
- Positive self-grounding locking clip fits into any 1/2" KO on fixture
- Unique double-blade contact ensures proper mating of electrical components to prevent pushback or pullout
- 6" leads w/quick connects for easy fixture wiring connection
- All unused outlets require a MWS dust cover. MWS ST, SP, SD, CT and TC are shipped with one dust cover attached

Shipping Data

| Standard Cable Lengths | Unit Wt. | Standard Qty./Carton |
|------------------------|----------|----------------------|
| 9' | 3.0 lbs. | 9 |
| 15' | 4.5 lbs. | 6 |
| 21' | 6.3 lbs. | 4 |

MWS Autocad Drafting

Please reach out to your local representative for MWS layout design assistance.

All electrical boxes, conduit, connections and switches by others.
Install dust covers on unused open ends.
Scale is exaggerated on fixtures and MWS system applications.