

**DESCRIPTION**

MWS-5LT, Modular Wiring Systems with DALI Control, provides low cost installation of both power for lighting and Class 1 control wiring for use with Fifth Light DALI systems. Using modular components that plug together, MWS-5LT can be installed in a fraction of the time of hardwiring both lighting and control. Plus, MWS-5LT offers the advantage of relocating fixtures and DALI control devices for future renovations.

The MWS Drop Cable with DALI Control (DC-5LT) feeds power and control to wall or ceiling fixtures from a compatible Circuit T (CT) or Splitter (SP). See the CT or SP specification sheets for compatibility details.

MWS Drop cables may be plugged into the last fixture cable (FC) or from a Splitter (SP) anywhere within the system.

**DESIGN FEATURES**

- UL Listed under Standard 183 for make or break under load.
- Meets requirements of Article 604 of the National Electrical Code.
- MWS components assembled with 12 AWG conductors rated at 20 amperes with full size ground wire.
- Copper conductors are THHN insulated wire rated 90°C.
- Galvanized steel exterior with integral keying for voltage and amperage.
- Valox 365 constructed contact housings are approved for environmental air plenums.
- Cable end supplied with 1/2" connector with locknut and 6" pre-stripped leads.
- DC cable allows you to easily supply power and control to other system units.

<b>Catalog #</b>		<b>Type</b>
<b>Project</b>		
<b>Comments</b>		<b>Date</b>
<b>Prepared by</b>		

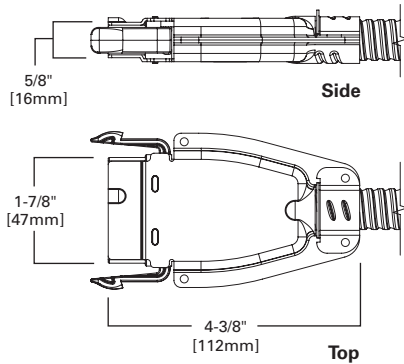


**DC-5LT**

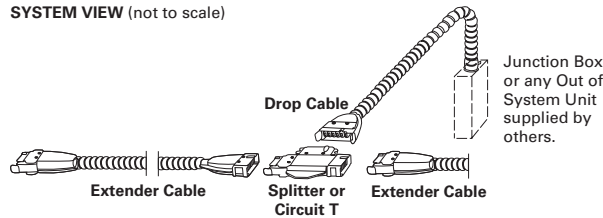
**DROP CABLE**  
Modular Wiring System



**DIMENSIONAL DATA**



**SYSTEM VIEW** (not to scale)



**Drop Cable (DC)**  
Supplies power and control to system units.

Typical MWS Wiring System Application shown utilizing **Drop Cable (DC)**.

Consult MWS Installation, Application and Specification Manual for additional comprehensive system information.

**ORDERING INFORMATION**

SAMPLE NUMBER: 27DC12/4G095LT

	<b>DC</b>			
<b>Voltage</b> 12=120V 27=277V	<b>Component</b> DC=DropCable	<b>Conductors and Size</b> 12/4G=#12, 4 Conductors Plus Ground	<b>Cable Length (Feet)</b> 09=9' 15=15'	<b>Options</b> 5LT

Specifications & dimensions subject to change without notice. Consult your Cooper Lighting Solutions Representative for availability and ordering information.

**SHIPPING DATA**

Cable Length	Unit Wt.	Standard Qty./Carton
9'	3.0 lbs.	9
15'	4.5 lbs.	8

**MWS AUTOCAD DRAFTING**

MWS offers AutoCAD drafting to layout MWS, providing the contractor with additional benefits.

MWS design layout time is reduced.

Bills of material are computer-generated guaranteeing accuracy.

MWS drawing symbols and details standardized.

Layouts are available on CD or e-mail.

To utilize this service and for additional information, contact the MWS Sales Department (888) 487-4887.

All electrical boxes, conduit, connections and switches by others.

Install dust covers on unused open ends.

Scale is exaggerated on fixtures and MWS system applications.