

Project		Catalog #		Type	
Prepared by		Notes		Date	



Metalux

UHB LED

LED Round High Bay

Typical Applications

Industrial • Commercial • Retail • Manufacturing • Warehouse • Gymnasium ⁽¹⁾
 • Multi-purpose • Grocery • High Bay / Low Bay Applications

Note: (1) Rigid mount not for use in gymnasiums.

Interactive Menu

- Order Information page 2
- Product Warranty

Product Certification



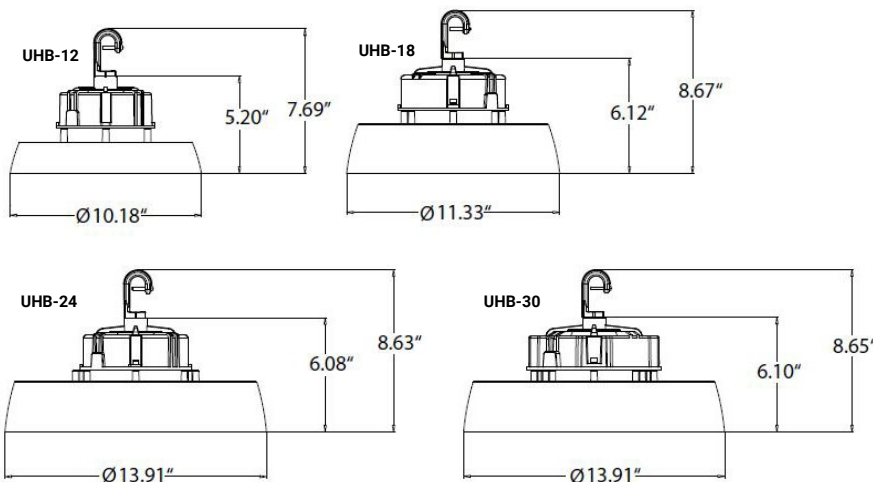
Product Features



Top Product Features

- LED High Bay fixtures with round form factor designed for various mounting heights and applications
- Compact, 11" and 14" round die cast aluminum housing
- White polyester powder coat finish
- IP65 rated
- Lumen packages from 12,000 up to 30,000

Dimensional and Mounting Details



Accessories



ALR
Aluminum Reflector



CLR
Clear Reflector



WG
Wire Guard



SMB
Surface Mount Bracket

Order Information

SAMPLE ORDER NUMBER: **UHB-18-UNV-L840-CD-U**

Series	LED Lumen Output	Voltage	CCT	Driver Type	Mounting Type	Packaging
Series ⁽²⁾	LED Lumen Output	Voltage	CCT	Driver Type	Mounting Type ⁽¹⁾	Packaging
UHB=LED High Bay	12=12,000 Lumens 18=18,000 Lumens 24=24,000 Lumens 30=30,000 Lumens	UNV=Universal Voltage 120-277 347V=347 Volt	L840=4000K L850=5000K	CD=0-10V Dimming Driver	[Blank]=1/2" Threaded Hub	U=Unit Pack
Notes (2) DesignLights Consortium® Qualified and classified for DLC Premium, refer to www.designlights.org for details.					Notes (1) Rigid mount not for use in gymnasiums.	

Accessories

Accessories
UHB-CLR10=Clear Reflector for 12K lumen UHB-CLR12=Clear Reflector for 18K lumen UHB-CLR14=Clear Reflector for 24/30K lumen UHB-ALR10=Aluminum Reflector for 12K lumen UHB-ALR12=Aluminum Reflector for 18K lumen UHB-ALR14=Aluminum Reflector for 24/30K lumen UHB-WG10=Wire Guard for 12K lumen UHB-WG12=Wire Guard for 18K lumen UHB-WG14=Wire Guard for 24/30K lumen UHB-SMB10=Surface Mount Bracket for 12K lumen UHB-SMB12=Surface Mount Bracket for 18K lumen UHB-SMB14=Surface Mount Bracket for 24/30K lumen

Product Specifications

Construction

- Diecast aluminum housing and heatsink for added protection

Electrical

- Long-life LED system with electrical driver for optimal performance
- LED's available in 4000K and 5000K with CRI> 80
- Available for 120-277V, and 347V applications
- 0-10V dimming standard
- 72" power and dimming cord provided as standard for easier installation
- Integral 4K surge protector

Finish

- White polyester powder coat finish painted after fabrication

Optics

- Medium distribution standard

Mounting

- Designed for suspension mounting with 1/2" threaded hub
- Accessory hook included

Compliance

- cULus listed for wet location -40C to 45C ambient environments
- IP65 rated
- LED modules comply with IESNA LM-79 and LM-80 testing standards
- DesignLights Consortium® Qualified and classified for DLC Premium, refer to www.designlights.org for details.

Warranty

- Five year warranty

Energy and Performance Data by Catalog Number

Catalog Number	Performance		
	Delivered Lumens	Watts	Efficacy (lm/W)
UHB-12-UNV-L840-CD-U	13436	99	136
UHB-12-UNV-L850-CD-U	13672	100	137
UHB-18-UNV-L840-CD-U	19607	147	133
UHB-18-UNV-L850-CD-U	19654	150	131
UHB-24-UNV-L840-CD-U	26600	197	135
UHB-24-UNV-L850-CD-U	26664	197	135
UHB-30-UNV-L840-CD-U	32235	236	137
UHB-30-UNV-L850-CD-U	32725	239	137

Lumen Maintenance

Ambient Temperature	TM-21 Lumen Maintenance (60,000 hours)	Theoretical L70 (hours)
25°C	> 91%	> 218,000

Ambient Ratings

Lumen Package	Ambient Rating
UHB-12	45C
UHB-18	45C
UHB-24	45C
UHB-30	45C

Energy Data

Input Watts:
UHB-12=98W
UHB-18=153W
UHB-24=197W
UHB-30=240W

Shipping Data

Catalog No.	Wt.
UHB-12	10 lbs.
UHB-18	10 lbs.
UHB-24	15 lbs.
UHB-30	15 lbs.

 [View IES files](#)