

Project		Catalog #		Type	
Prepared by		Notes		Date	



# Metalux

## LHB

### LED Linear High Bay Lensed

#### Typical Applications

• Industrial • Manufacturing • Gymnasium\* • Warehouse

\*Rigid mount not for use in gymnasiums.

#### Interactive Menu

- Order Information [page 2](#)
- Photometric Data [page 3](#)
- Product Warranty

#### Product Certification



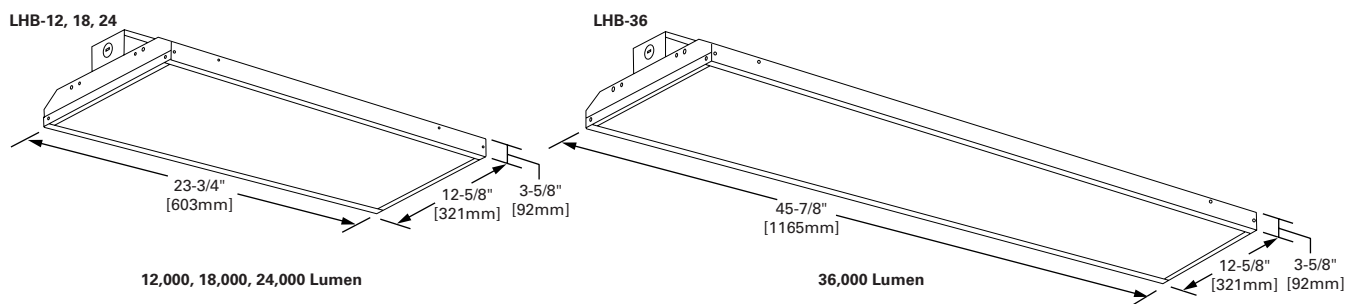
#### Product Features



#### Top Product Features

- 13 inch width in 2ft and 4ft lengths
- Standard diffused lens provides added protection and glare control
- High performance efficacy up to 143 lm/W
- Efficient 1-for-1 replacement of linear fluorescent and HID fixtures
- Lumen packages – 12,000, 18,000, 24,000 and 36,000

#### Dimensional and Mounting Details



## Order Information

SAMPLE ORDER NUMBER: **LHB-18-UNV-L840-CD-U** Includes V Hangers and (2) 18" pieces of chain for rapid installation

Series	LED Lumen Output	Lensing	Voltage	CCT	Driver Type	Options	Packaging
LHB=LED High Bay	12=12,000 Lumens 18=18,000 Lumens 24=24,000 Lumens 36=36,000 Lumens	[Blank]=with Diffused Lens	UNV=Universal Voltage 120-277	L840=4000K L850=5000K	CD=0-10V Dimming Driver	EL7W-REM=EM pack, remote installation, 7W EL14W-REM=EM pack, remote installation, 14W MS=Motion Sensor (360° or 180°) OEFPO10VMV=Occupancy Sensor with Integrated Photocell C6=6' cord, 18/3, white C12=12' cord, 18/3, white PC6/277=6' white cord, 18/3, with 277V, 15A NEMA twist-lock plug PC12/277=12' white cord, 18/3, with 277V, 15A NEMA twist-lock plug	U=Unit Pack
<b>Notes</b> (3) DesignLights Consortium® Qualified and classified for DLC Premium, refer to www.designlights.org for details.		<b>Notes</b> (2) For non-lensed option, follow the lens removal directions in the installation instructions.				<b>Notes</b> For expedited delivery of LHB with options, choose the <a href="#">Rapid Response</a> program. Click hot link for details.	

### Accessories

Accessories (order separately) <sup>(1)</sup>
LHB-WG23=Wire Guard Kit for 12,000, 18,000 and 24,000 lumen units LHB-WG45=Wire Guard Kit for 36,000 lumen units LHB-SMK=Surface Mount Kit LHB-PMK=Pendant Mount Kit EBPLED7W=7 Watt emergency ballast pack - field installed EBPLED14W=14 Watt emergency ballast pack - field installed OEF-P-2MHO-MV-SL=Motion sensor, 360 degrees, 120-277V, side mount - field installed LHB-Y-TOGGLE-3M= Y-toggle aircraft cables (2), 9 feet 10 inches length
<b>Notes</b> (1) Rigid mount not recommended for use in gymnasiums.

## Product Specifications

### Construction

- Full body construction with center driver housing for added durability and thermal control

### Electrical

- Long-life LED system coupled with electrical driver to deliver optimal performance
- LED's available in 4000K and 5000K with a CRI ≥ 80
- Electronic drivers are available for 120-277V applications
- Standard 0-10V dimming

### Finish

- Standard white polyester powder coat finish painted after fabrication for increased durability and rust inhibition

### Optics

- Diffused lens provides added protection and glare control

### Mounting

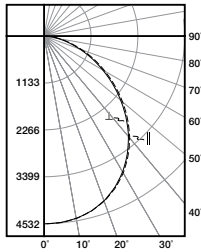
- The LHB series is ideally suited for suspension mounting with wire hook and chain set included

### Compliance

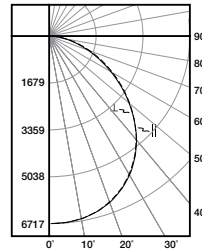
- Luminaires are cULus listed for damp locations -20°C - 40°C ambient environments with 0-10V drivers
- cULus listed
- LED modules comply with IESNA LM-79 and LM-80 standards
- DesignLights Consortium® Qualified and classified for DLC Premium, refer to www.designlights.org for details

## Photometric Data

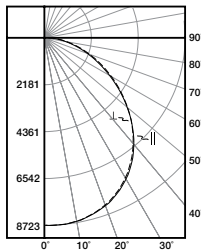
 [View IES files](#)



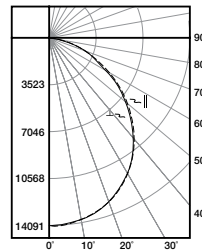
**LHB-12-UNV-L850**  
 Electronic Driver  
 Linear LED 5000K  
 Spacing criterion: (||) 1.23 x mounting height,  
 (⊥) 1.23 x mounting height  
 Lumens: 11493  
 Input Watts: 87.7W  
 Efficacy: 131.1 lm/W  
 Test Report: LHB-12-UNV-L850. IES



**LHB-18-UNV-L850**  
 Electronic Driver  
 Linear LED 5000K  
 Spacing criterion: (||) 1.23 x mounting height,  
 (⊥) 1.24 x mounting height  
 Lumens: 17130  
 Input Watts: 131.8W  
 Efficacy: 130.0 lm/W  
 Test Report: LHB-18-UNV-L850. IES



**LHB-24-UNV-L850**  
 Electronic Driver  
 Linear LED 5000K  
 Spacing criterion: (||) 1.23 x mounting height,  
 (⊥) 1.23 x mounting height  
 Lumens: 22050  
 Input Watts: 172.5W  
 Efficacy: 127.8 lm/W  
 Test Report: LHB-24-UNV-L850. IES



**LHB-36-UNV-L850**  
 Electronic Driver  
 Linear LED 5000K  
 Spacing criterion: (||) 1.24 x mounting height,  
 (⊥) 1.23 x mounting height  
 Lumens: 34196  
 Input Watts: 267W  
 Efficacy: 128 lm/W  
 Test Report: LHB-36-UNV-L850. IES

## Energy and Performance Data

Catalog Number	Lensed			Non-Lensed	
	Delivered Lumens	Efficacy (lm/W)	Watts	Delivered Lumens	Efficacy (lm/W)
LHB-12-UNV-L840-CD-U	11,455	131	87	12,249	141
LHB-12-UNV-L850-CD-U	11,493	131	87	12,465	143
LHB-18-UNV-L840-CD-U	17,075	130	132	18,500	140
LHB-18-UNV-L850-CD-U	17,129	130	132	18,663	141
LHB-24-UNV-L840-CD-U	22,012	128	172	24,578	143
LHB-24-UNV-L850-CD-U	22,050	128	172	24,735	144
LHB-36-UNV-L840-CD-U	33,831	128	267	37,924	142
LHB-36-UNV-L850-CD-U	34,196	128	267	38,188	143

### Lumen Maintenance

Ambient Temperature	TM-21 Lumen Maintenance (60,000 hours)	Theoretical L70 (Hours)
25°C	> 85%	> 122,000

### Ambient Ratings

Lumen Package	Ambient Rating
LHB-12	40°C
LHB-18	40°C
LHB-24	40°C
LHB-36	40°C

### Input Watts

Lumens	Watts
12 (12,000 lumens)	87W
18 (18,000 lumens)	132W
24 (24,000 lumens)	175W
36 (36,000 lumens)	267W

### Shipping Data

Catalog No.	Wt.
LHB-12	10 lbs.
LHB-18	11 lbs.
LHB-24	11 lbs.
LHB-36	18 lbs.