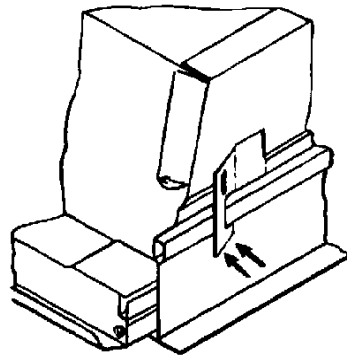


**Tab-Out**



**GRID-LOCK Locked**

- No cost EQ Clip Replacement
- U.L. Listed, File No. E71514
- Easy to Use
- NEC 410-16c Compliance
- Built into Troffer End Plates
- Labor Saving
- Use with Standard T-Bars or with New Narrow Grid Systems

The GRID-LOCK feature is built into the end plates. It can't be lost or left out and it won't add to the cost of the fixture. It's simple to utilize, insert a straight-blade screwdriver into the slot on each tab and rotate the tabs out ninety degrees, lay the fixture into the grid; then, continue the rotation about thirty more degrees to lock on the bottom edge of grid member "bulb". There is no need to open the fixture to use this feature. See reverse side for additional information.