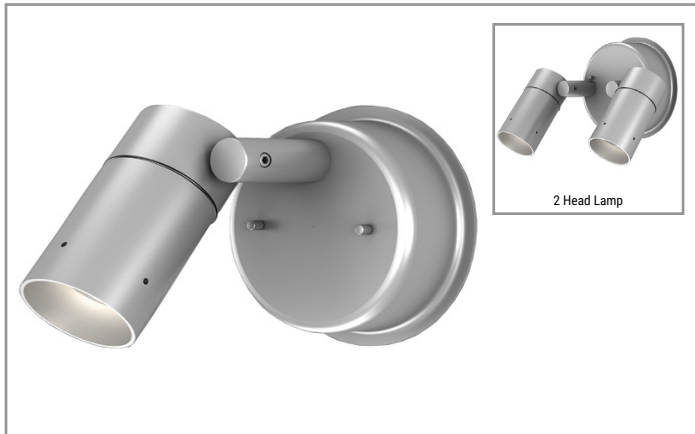


Project		Catalog #		Type	
Prepared by		Notes		Date	



Lumière

Westwood 903 / 903-2

LED / Halogen
Accent / Flood

Typical Applications

- Hospitality • Commerical Landscape • Outdoor Area/Site • Residential
- Architectural

Interactive Menu

- Order Information [page 2](#)
- Westwood 903 MR16 Halogen Photometry Data [page 3](#)
- Westwood 903 LED Photometry Data [page 4](#)
- Product Warranty

Product Certification



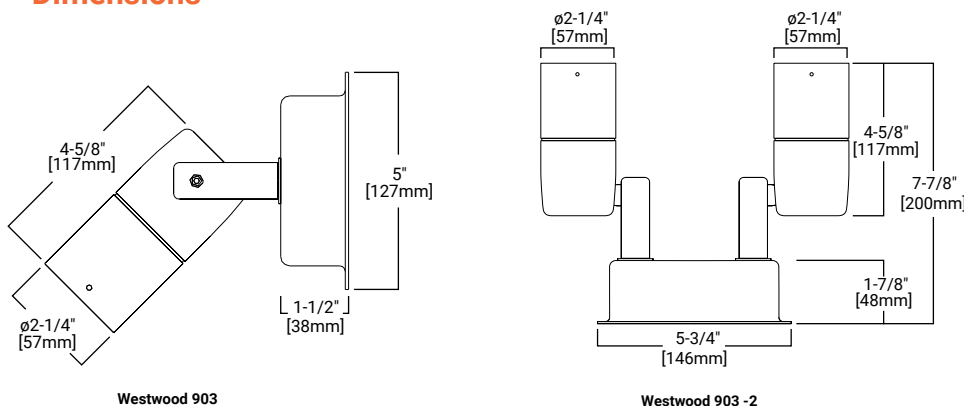
Product Features



Top Product Features

- Westwood 903 / 903-2 are ultra-compact MR16 or LED line voltage fixtures with integral 12V step down transformer
- Mount directly over any standard 4" wall mounted J-box
- Various lenses, louvers, color or dichroic filters can be combined - to create multiple lighting effects
- Holds up to three optical accessories
- Siphon Protection System (S.P.S.)
- Three-year warranty

Dimensions



TECHNICAL DATA
8W LED, L70/60,000 hours at 25°C
Low Voltage: 50W Halogen MR16

Order Information

SAMPLE ORDER NUMBER: 903-2-8LED-120/12-BK

Series	Lamp	Source (Select from each column and combine)	Voltage	Finish
903=LED Fully Adjustable Side Mounted Swivel Westwood Wall Fixture w/ Integral Transformer	1=One Head Lamp 2=Two Head Lamp	50MR16=50W max. Halogen MR16 (lamp not included)	120/12	Painted BK=Black BZ=Bronze CS=City Silver VE=Verde WT=White
		8LED=8W LED		
		27=2700K 30=3000K 40=4000K*		
		10=10° Spot 25=25° Narrow 36=36° Wide		
		5LED=5W LED		
		AM=Amber* (585-595nm)		
Notes	Notes	Notes	Notes	Notes
		* Not Title 20 compliant.	Consult factory for other voltages.	

Optical Accessories - Order Separately

Filters (2.00" Diameter)	Optical Lenses (2.00" Diameter)	Optical Louvers (2.00" Diameter)
F71=Peach Dichroic F72=Amber Dichroic F73=Green Dichroic F74=Medium Blue F75=Yellow Dichroic F76=Red Dichroic F77=Dark Blue Dichroic F78=Light Blue Dichroic F79=Neutral Density Dichroic F80=Magenta Dichroic F22=Red Color F33=Blue Color F44=Green Color F55=Yellow Color F66=Mercury Vapor	LSL=Linear Spread Lens (elongates standard beam spread) DIF=Diffused lens (provides even illumination) OSL=Overall Spread Lens (increases standard beam spread)	LVR=45° Hex Cell Louver (reduces glare)
Notes	Notes	Notes

Product Specifications

Material

- Housing, hood and mounting stem are precision machined from corrosion-resistant 6061-t6 aluminum billet
- Mounting canopy is constructed from corrosion-resistant aluminum

Finish Painted

- Fixtures constructed from 6061-T6 aluminum are double protected by a chemical film undercoating and polyester powdercoat paint finish, surpassing the rigorous demands of the outdoor environment
- A variety of standard colors are available

Hood

- Hood is removable for easy relamping and accepts up to three internal accessories at once (lenses, louvers, filters) to achieve multiple lighting effects
- Weep holes prevent water and mineral stains from collecting on the lens, even in the straight-up position

Gasket

- Housing and hood are sealed with a high temperature silicone o-ring gasket to prevent water intrusion

Lens

- Tempered glass lens, factory sealed with high temperature adhesive to prevent water intrusion and breakage due to thermal shock

Mounting & Adjustability

- Both models mount over standard 4" J-box and are suitable for ceiling or wall mount applications
- Integral 120/12V step down transformer connects directly to 120V line voltage
- Fully adjustable side-mounted swivel stem provides 200° vertical tilt for easy aiming
- Stainless steel aim-locking mechanisms are standard
- Lumière's exclusive Siphon Protection System (S.P.S.) prevents water from siphoning into the fixture through its own lead wires

Hardware

- Stainless steel hardware is standard to provide maximum corrosion resistance

Socket

- Ceramic socket with 250° C Teflon® coated lead wires and GU5.3 bi-pin base

Electrical

- For LED lamping, an integral magnetic 20VA 120 / 12V step down transformer is standard

Lamp

- Halogen lamp not included
- Modules are included and are available in three color temperatures (2700, 3000, and 4000) and three distributions (spot, narrow and flood)
- Both color temperature and distribution must be specified when ordering

Labels & Approvals

- UL and cUL listed, standard wet label
- Manufactured to ISO 9001-2000 Quality Systems Standard. IBEW union made

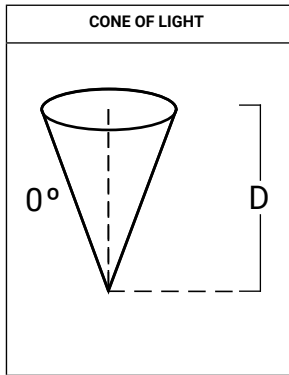
Warranty

- Lumière warrants its fixtures against defects in materials & workmanship for three (3) years. Auxiliary equipment such as transformers, ballasts and lamps carry the original manufacturer's warranty.

Westwood 903 MR16 Halogen Photometry Data

[View IES files](#)

Horizontal Illuminance on Surface - Westwood 903 Standard Recessed Hood - 50W MR16



Filename	903-50MR16-12-BK-NSP.ies	
Lamp	50W MR16 NSP	
CBCP	11,000	
Distance	FC	Beam Diameter
2'	2550	1'6"
4'	638	1'0"
6'	283	1'6"
8'	159	2'0"
10'	102	3'0"
15'	45	4'0"

Filename	903-50MR16-12-BK-NFL.ies	
Lamp	50W MR16 NFL	
CBCP	3,200	
Distance	FC	Beam Diameter
2'	725	1'0"
4'	181	2'6"
6'	81	4'0"
8'	45	5'0"
10'	29	6'6"
15'	13	10'0"

CCT MULTIPLIER TABLE

LAMP WATTAGE	MULTIPLIER
20W	0.32
35W	0.57

Filename	903-50MR16-12-BK-FL.ies	
Lamp	50W MR16 FL	
CBCP	2,000	
Distance	FC	Beam Diameter
2'	431	1'6"
4'	106	3'0"
6'	48	5'0"
8'	27	6'6"
10'	17	8'0"
15'	7	12'0"

Filename	903-50MR16-12-BK-WFL.ies	
Lamp	50W MR16 WFL	
CBCP	1,200	
Distance	FC	Beam Diameter
2'	269	2'0"
4'	67	4'6"
6'	30	7'6"
8'	17	9'0"
10'	11	11'6"
15'	5	17'0"

NOTES AND FORMULAS

- Beam diameter is to 50% of maximum footcandles, rounded to the nearest half-foot.
- Footcandle values are initial. Apply appropriate light loss factors where necessary.
- Bare lamp data shown. Consult lamp manufacturers to obtain detailed specifications for their lamps.

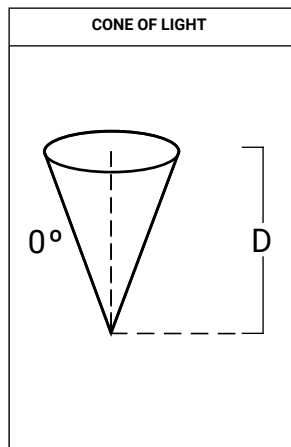
Westwood 903 LED Photometry Data

LED Lumen and CBCP Table - 3000K

 View IES files

		Flush Hood			Regressed Hood (Black)			Regressed Hood (Silver)		
		CBCP	LUMENS	LPW	CBCP	LUMENS	LPW	CBCP	LUMENS	LPW
10	BASE	7758	456	57	7188	387	48.4	6554	385	51.4
	+DIFF	1278	372	46.5	1256	286	35.7	1206	303	40.3
	+LSL	1700	402	50.3	1685	328	41	1557	328	43.7
	+LVR	6837	315	39.9	6276	305	38.2	6010	292	38.9
	+OSL	1700	402	50.3	1685	328	41	1557	328	43.7
25	BASE	3454	536	68.7	3285	480	60.8	3026	465	63.6
	+DIFF	977	435	55.7	936	344	43.5	924	361	46.3
	+LSL	1021	482	61.8	999	406	51.4	923	401	54.1
	+LVR	1864	492	63.1	1815	443	56.1	1705	438	57.6
	+OSL	1864	492	63.1	1815	443	56.1	1705	438	57.6
36	BASE	1469	525	68.2	683	339	43.5	1444	474	60.8
	+DIFF	696	432	56.1	616	392	50.3	645	345	44.8
	+LSL	624	476	61.9	1279	324	41.5	622	408	53.6
	+LVR	1322	344	44.7	1197	434	56.3	1242	323	42.5
	+OSL	624	476	61.9	1279	324	41.5	622	408	53.6

Horizontal Illuminance on Surface - Westwood 903 Standard Recessed Hood - 3000K



Filename: 903-8LED3010-12-BK.ies			
Test No.: P349395			
Distance	FC	Beam Diameter	
2'	1797	0.4	
4'	449.3	0.8	
6'	199.7	1.2	
8'	112.3	1.6	
10'	71.9	2	
15'	31.9	3.2	
20'	18	4.2	
30'	8	6.4	
40'	4.5	8.4	

Filename: 903-8LED3025-12-BK.ies			
Test No.: P349640			
Distance	FC	Beam Diameter	
2'	821.4	0.6	
4'	205.3	1.2	
6'	91.3	1.8	
8'	51.3	2.4	
10'	32.9	3	
15'	14.6	4.6	
20'	8.2	6	
30'	3.7	9.2	
40'	2.1	12.2	

Filename: 903-8LED3036-12-BK.ies			
Test No.: P349625			
Distance	FC	Beam Diameter	
2'	361.1	1	
4'	90.3	2.2	
6'	40.1	3.4	
8'	22.6	4.6	
10'	14.4	5.8	
15'	6.4	8.6	
20'	3.6	11.6	
30'	1.6	17.4	
40'	0.9	23.2	

CCT MULTIPLIER TABLE

CCT (K) / COLOR	MULTIPLIER
2700K	1.04
3000K	1.00
4000K	0.78

Note: Multiplier can be used to calculate center beam candle power (CBCP), Lumens and footcandle (FC) values.

TECHNICAL INFORMATION

- Dimming is dependant on remote transformer compatibility with LED module. Please see compatibility matrix for dimmer switch and transformer selection.
- When using a magnetic dimmer switch there are two recommended LED compatible 120V magnetic dimming switches: Lutron Ariadni AVLV-600P and Lutron Diva DVLV-600P
- IMPORTANT: When sizing transformer use 12 watts per LED fixture. Nominal power draw after start up is 8 watts. Any less or more voltage can cause premature failures.