

DESCRIPTION

Lanterra 1003-A1 (one head) and 1003-A2 (2 head) is a medium size 3.25" O.D., line voltage Accent Flood light with dimmable LED. It is available with adjustable rear center swivel with lock rotation providing 180 degree tilt and 340 degree rotation. The luminaire comes with various mounting, field replaceable optics. It also comes with various lens, louvers and colors or dichroic filters, which can combine up to two at once to create multiple lighting effects. The fixture may be used indoors or outdoors and carries IP66 rating.

SPECIFICATION FEATURES

Material

Housing, hood and mounting stem are precision-machined from corrosion resistant billet stock 6061-T6 aluminum.

Finish

Fixtures constructed from 6061-T6 aluminum are double protected by an ROHS complaint chemical film undercoating and polyester powder coat paint finish, surpassing the rigorous demands of the outdoor environment. A variety of standard colors are available.

Hood

Hood is removable and accepts up to two internal accessories at once (lenses, louvers and filters) to achieve multiple lighting effects. Weep holes prevents water and mineral stains from collecting on the lens, even in the straight up position. The flush lens design reduces fixture length, minimizes debris collection and prevents water and mineral stains from collecting on the lens.

Gasket

Housing and hood are sealed with a high

temperature silicone O-ring gasket to prevent water intrusion.

Lens

Tempered glass lens, factory sealed with high temperature silicone O-ring to prevent water intrusion and breakage due to thermal shock.

Hardware

Stainless steel hardware is standard to provide maximum corrosion resistance.

Electrical

Long life LED system coupled with electronic driver (120-277V/50-60Hz) is compatible with TRIAC (Leading Edge Dimming), ELV (Trailing Edge Dimming) and 0-10V dimming to deliver optical performance. Light can be dimmed from 100-1% while maintaining constant CCT. It will operate in -30°C to 50°C unless noted otherwise. The driver incorporates surge protection. LED's are available in 2700K, 3000K, 3500K at 90CRI and 97CRI, 4000K at 80CRI and 97CRI, 5000K at 80CRI and are industry leading high output with 87% lumen maintenance at 60,000hrs.

Catalog #

Type

Project

Comments

Date

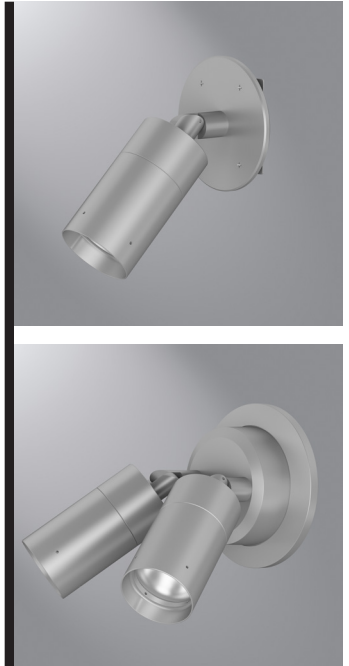
Prepared by

Compliance

Components are UL recognized and luminaires are cULus listed for 50°C ambient environments unless noted otherwise, wet location listed, and ROHS compliant. IP66 Rated. DesignLights Consortium® Qualified and classified for both DLC Standard and DLC Premium, refer to www.designlights.org for details.

Warranty

Lumiere warrants the Lanterra series of fixtures against defects in material and workmanship for five (5) years. Auxiliary equipment such as LED drivers carries the original manufacturer's warranty.

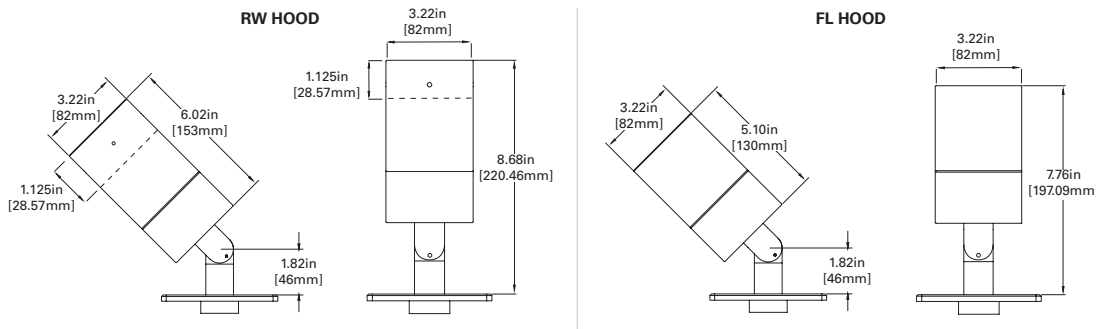


Lanterra 1003

LED
INTERIOR / EXTERIOR
ACCENT FLOOD LIGHT
CERTIFICATION DATA
cULus - 1598
Wet Location Listed - IP66
LM79/LM80 Compliant
ROHS Compliant
10W LED, L70/102,000 @ 25° Celcius
20W LED, L70/102,000 @ 25° Celcius



DIMENSIONS



ORDERING INFORMATION

SERIES	NUMBER OF HEADS	KNUCKLE STYLE	HOOD	LED CCT & CRI	FIELD REPLACEABLE OPTIC	FINISH	LIGHT LEVEL	VOLTAGE	MOUNTING	OPTIONS
1003	A1 1 Head A2 ³ 2 Head	RCS Rear Center Swivel with Lock Rotation	RW Standard-Recessed Lens with weep holes - Outdoor RI Recessed Lens with no weep holes - Indoor FL Flush lens hood	Standard CRI LED2790 - 2700K, 90 CRI LED 3090 - 3000K, 90 CRI LED 3590 - 3500K, 90 CRI LED 4080 - 4000K, 80 CRI LED 5080 - 5000K, 80 CRI Premium CRI LED 2797 - 2700K, 97 CRI LED 3097 - 3000K, 97 CRI LED 3597 - 3500K, 97 CRI LED 4097 - 4000K, 97 CRI	S Spot M Medium F Flood W Wide	Standard Paint Finish BK Black BZ Bronze CS City Silver WT White	L1 Light Level 1 (10W) L2 Light Level 2 (20W)	UNV 120-277V	Surface Mount - Wall, Ceiling, Ground RSM - Round Surface Mount - mounts directly to junction box Thermal Limitations (unless otherwise noted 50C) 1003-A2-xxx-LC2-xxx-RSM (40C) 1003-A2xxx-L2-xxx-RSM (40C) Recessed - Ground Mount MB - Ground Mount Recessed Box - Rectangular Housing 10x6x6 (MB Box) Thermal Limitations (unless otherwise noted 50C) 1003-A2-xxx-LC2-xxx-MB (45C) Remote Driver Housing WRR ^{1,4} - Remote Driver Housing-Round Wall WRS ^{1,4} - Remote Driver Housing - Square Wall Plate TSR2 ^{1,4} - Tree Strap Mount (1-4) Integral Driver Mount WIS ¹ - Wall Integral Driver Plate Thermal Limitations (unless otherwise noted 45C)	SVPD2 ² Standalone integral sensor

Notes: 1. Only available for single head option (A1)
2. Only available for single head option (A1) with RSM only
3. A2 doubles input wattage listed
4. Remote Driver up to 60°

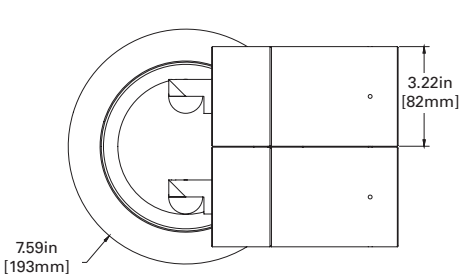
ACCESSORIES - ORDER SEPARATELY

		ACCESSORIES			OPTICS	
ISHH01LUM	Programming Remote for sensor	Filters F71-3 Peach Dichroic F72-3 Amber Dichroic F73-3 Green Dichroic F74-3 Medium Blue F75-3 Yellow Dichroic F76-3 Red Dichroic F77-3 Dark Blue Dichroic F78-3 Light Blue Dichroic F79-3 Neutral Density Dichroic F80-3 Magenta Dichroic F22-3 Red Color F33-3 Blue Color F44-3 Green Color F55-3 Yellow Color F66-3 Mercury Color	Lens LSL-3 Linear Spread Lens DIF-3 Diffused Lens OSL-3 Overall Spread Lens	Louver LVR-3 45° Hex Cell Louver	LLR-S-3-4	15° Spot
ISHH01LUM	Personal Control Remote for sensor				LLR-M-3-4	25° Medium
					LLR-F-3-4	36° Flood
					LLR-W-3-4	60° Wide Flood
					LLR-K-3-4	Spot, Medium, Flood, Wide Flood Optic Kit

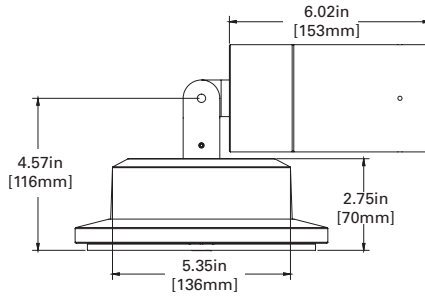
MOUNTINGS

ROUND SURFACE MOUNT (RSM)

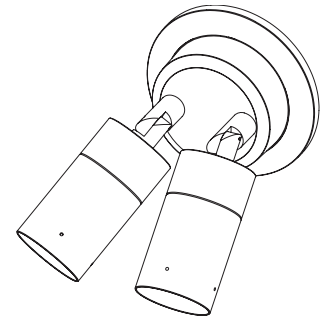
A2 (2 head shown)
 A1 (1 head also available)



TOP VIEW



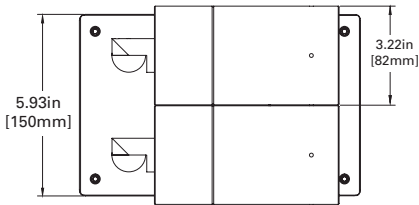
FRONT VIEW



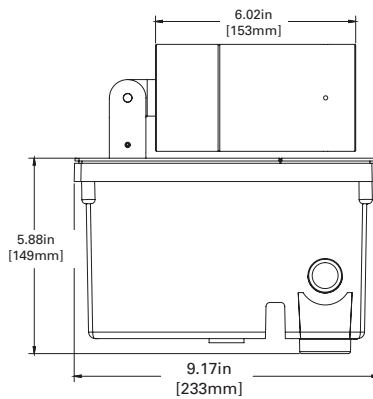
ISO VIEW

GROUND MOUNT RECESSED BOX (MB)

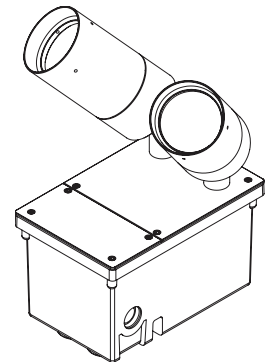
A2 (2 head shown)
 A1 (1 head also available)



TOP VIEW

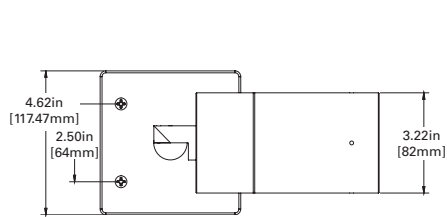


FRONT VIEW

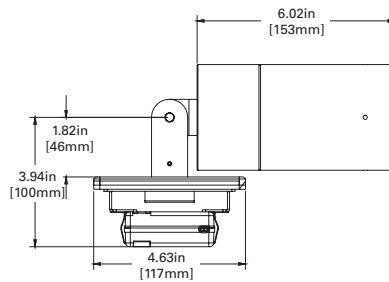


ISO VIEW

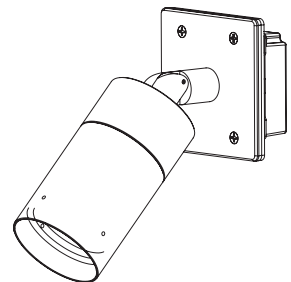
WALL INTEGRAL DRIVER PLATE (WIS)



TOP VIEW



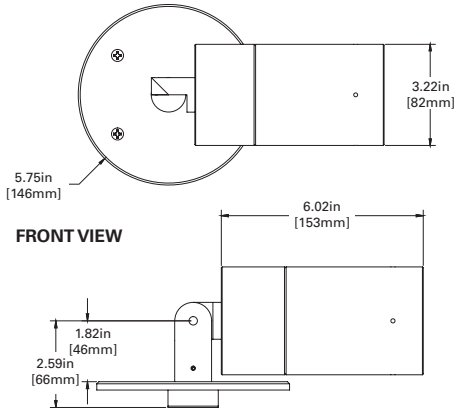
FRONT VIEW



ISO VIEW

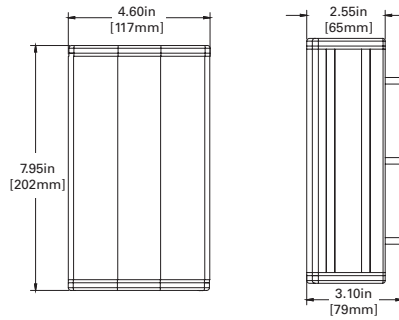
REMOTE DRIVER HOUSING ROUND WALL (WRR)

Also available as WRS (wall remote square)



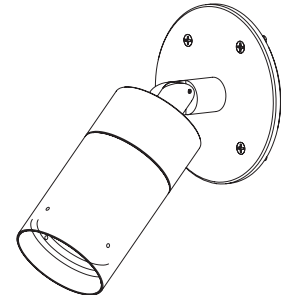
FRONT VIEW

TOP VIEW



Remote Driver distance up to 60'

REMOTE BOX

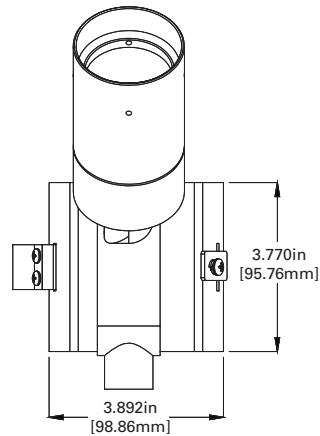


ISO VIEW

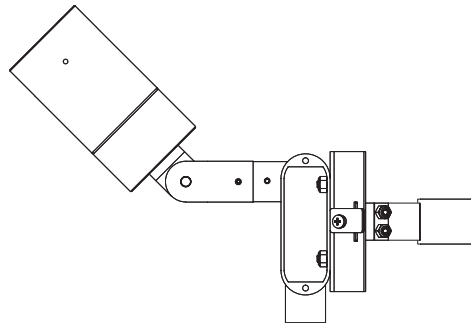
TREE STRAP MOUNT (TSR2-X)

2 head shown (available up to 4 heads)

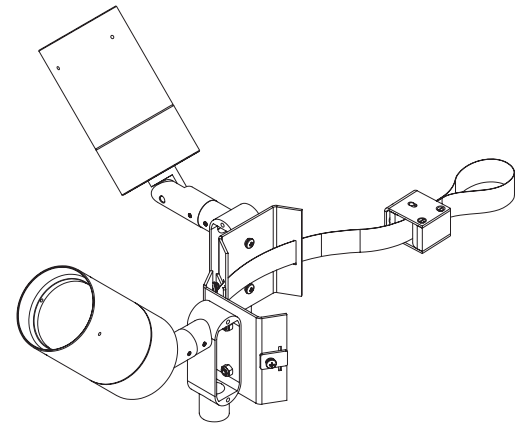
TREE STRAP WITH FIXTURE MOUNTED



FRONT VIEW

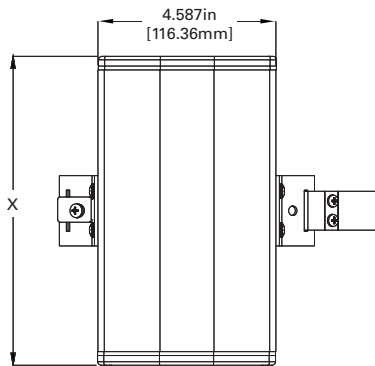


SIDE VIEW

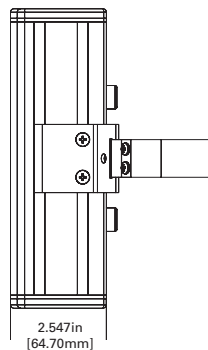


ISO VIEW (TSR2-2 shown)

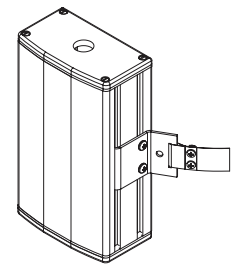
REMOTE DRIVER HOUSING STRAP



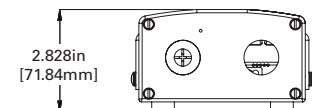
FRONT VIEW



SIDE VIEW



ISO VIEW



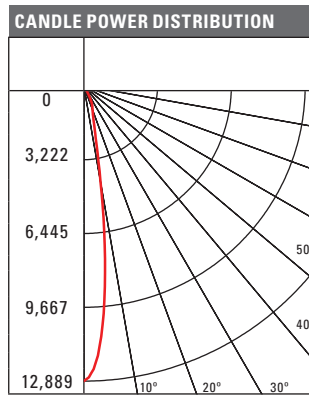
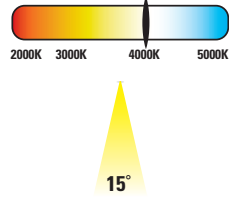
X = 7.95in [201.93mm], for up to 2 head configurations

X = 12.050in [306.07], for 3-4 head configurations

PHOTOMETRICS

Test Number	P29476
Lumcat	1003-[A1, S1, SU1, W1]-X-FL-LED4080-S-BK-L2-UNV
Lumens	1700 Lm
Watts	20.1 W
LPW	84.6 Lm/W
CCT	4000K
SC (0/90/45)	0.27 / 0.27 / 0.27
Beam Angle	16°

COLOR METRIC SUMMARY	
TM-30-15	Rf = 82.5 Rg = 94.3
CRI/CIE	Ra = 83.1 R9 = 11.4

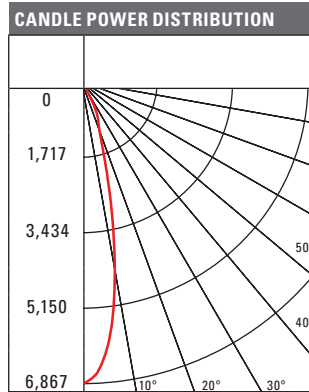
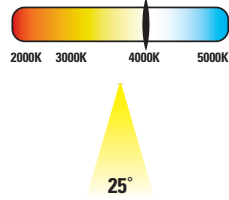


CONE OF LIGHT			
Horizontal Illuminance on Floor			
MH	FC	L	W
2'	3222.2	0.4	0.4
4'	805.6	1	1
6'	358	1.6	1.6
8'	201.4	2	2
10'	128.9	2.6	2.6
15'	57.3	4	4
20'	32.2	5.4	5.4
30'	14.3	8.2	8.2
40'	8.1	10.8	10.8

CANDELA TABLE	
Angle	0-deg
0	12889
5	9969
10	4210
15	1746
20	1126
30	298
40	22
50	6
60	5
70	3
80	1
90	0

Test Number	29477
Lumcat	1003-[A1, S1, SU1, W1]-X-FL-LED4080-M-BK-L2-UNV
Lumens	1623 Lm
Watts	20.1 W
LPW	80.8 Lm/W
CCT	4000K
SC (0/90/45)	0.41 / 0.41 / 0.41
Beam Angle	24.1°

COLOR METRIC SUMMARY	
TM-30-15	Rf = 82.5 Rg = 94.3
CRI/CIE	Ra = 83.1 R9 = 11.4

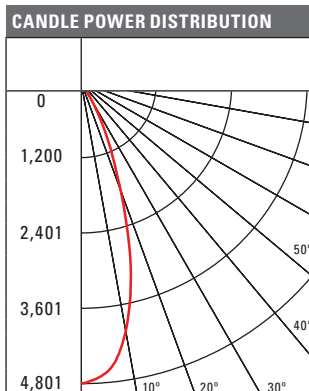
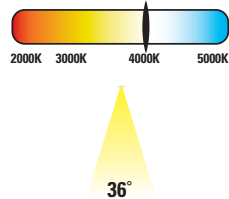


CONE OF LIGHT			
Horizontal Illuminance on Floor			
MH	FC	L	W
2'	1716.8	0.8	0.8
4'	429.2	1.6	1.6
6'	190.8	2.4	2.4
8'	107.3	3.2	3.2
10'	68.7	4	4
15'	30.5	6	6
20'	17.2	8	8
30'	7.6	12.2	12.2
40'	4.3	16.2	16.2

CANDELA TABLE	
Angle	0-deg
0	6867
5	6216
10	4343
15	2302
20	1191
30	326
40	29
50	9
60	5
70	3
80	1
90	0

Test Number	P29478
Lumcat	1003-[A1, S1, SU1, W1]-X-FL-LED4080-F-BK-L2-UNV
Lumens	1787 Lm
Watts	20.1W
LPW	88.9 Lm/W
CCT	4000K
SC (0/90/45)	0.59 / 0.59 / 0.56
Beam Angle	35.4°

COLOR METRIC SUMMARY	
TM-30-15	Rf = 82.5 Rg = 94.3
CRI/CIE	Ra = 83.1 R9 = 11.4

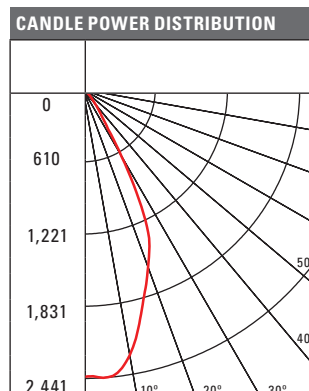
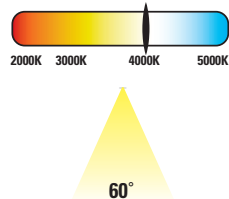


CONE OF LIGHT			
Horizontal Illuminance on Floor			
MH	FC	L	W
2'	1200.2	1	1
4'	300.1	2.2	2.2
6'	133.4	3.4	3.4
8'	75	4.6	4.6
10'	48	5.8	5.8
15'	21.3	8.8	8.8
20'	12	11.6	11.6
30'	5.3	17.6	17.6
40'	3	23.4	23.4

CANDELA TABLE	
Angle	0-deg
0	4801
5	4641
10	4056
15	3055
20	1850
30	365
40	27
50	6
60	3
70	2
80	1
90	0

Test Number	P29479
Lumcat	1003-[A1, S1, SU1, W1]-X-FL-LED4080-W-BK-L2-UNV
Lumens	1630 Lm
Watts	20.1 W
LPW	81.1 Lm/W
CCT	4000K
SC (0/90/45)	0.79 / 0.79 / 0.76
Beam Angle	51.1°

COLOR METRIC SUMMARY	
TM-30-15	Rf = 82.5 Rg = 94.3
CRI/CIE	Ra = 83.1 R9 = 11.4



CONE OF LIGHT			
Horizontal Illuminance on Floor			
MH	FC	L	W
2'	607.5	1.4	1.4
4'	151.9	3	3
6'	67.5	4.6	4.6
8'	38	6.2	6.2
10'	24.3	7.8	7.8
15'	10.8	11.8	11.8
20'	6.1	15.8	15.8
30'	2.7	23.6	23.6
40'	1.5	31.6	31.6

CANDELA TABLE	
Angle	0-deg
0	2430
5	2439
10	2278
15	1922
20	1605
30	653
40	168
50	65
60	6
70	4
80	1
90	0

CCT/CRI	LED2790	LED3090	LED3590	LED4080	LED5080	LED2797	LED3097	LED3597	LED4097
FC Multiplier	0.754	0.798	0.808	1.000	1.039	0.699	0.706	0.801	0.793

Light Level	L1	L2
FC Multiplier	0.542	1.000

LUMEN TABLE

		1003-[A1, S1/SU1, W1] Regressed Hood - Black					
		L1 - 10 W			L2 - 20 W		
		CBCP	Lumens	LPW	CBCP	Lumens	LPW
S Spot 15°	LED2790	5324	621	63.4	9818	1145	57.0
	LED3090	5632	657	67.0	10386	1212	60.3
	LED3590	5705	666	67.9	10520	1227	61.1
	LED4080	7057	823	84.0	13014	1518	75.5
	LED5080	7331	855	87.3	13519	1577	78.5
	LED2797	4935	576	58.7	9100	1062	52.8
	LED3097	4981	581	59.3	9186	1072	53.3
	LED3597	5650	659	67.3	10419	1216	60.5
	LED4097	5596	653	66.6	10319	1204	59.9
M Medium Flood 25°	LED2790	2829	590	60.2	5218	1088	54.1
	LED3090	2993	624	63.7	5519	1151	57.3
	LED3590	3032	632	64.5	5590	1166	58.0
	LED4080	3750	782	79.8	6916	1442	71.8
	LED5080	3896	813	82.9	7185	1498	74.6
	LED2797	2622	547	55.8	4836	1009	50.2
	LED3097	2647	552	56.3	4882	1018	50.7
	LED3597	3003	626	63.9	5537	1155	57.5
	LED4097	2974	620	63.3	5484	1144	56.9
F Flood 36°	LED2790	1943	666	68.0	3584	1229	61.1
	LED3090	2056	705	71.9	3791	1300	64.7
	LED3590	2082	714	72.9	3840	1317	65.5
	LED4080	2576	883	90.1	4750	1629	81.0
	LED5080	2676	918	93.6	4934	1692	84.2
	LED2797	999	560	57.1	1842	1032	51.4
	LED3097	1818	623	63.6	3353	1150	57.2
	LED3597	2062	707	72.2	3803	1304	64.9
	LED4097	2042	700	71.5	3766	1292	64.3
W Wide Flood 60°	LED2790	999	560	57.1	1842	1032	51.4
	LED3090	1057	592	60.4	1949	1092	54.3
	LED3590	1070	600	61.2	1974	1106	55.0
	LED4080	1324	742	75.7	2442	1368	68.1
	LED5080	1376	771	78.7	2537	1421	70.7
	LED2797	926	519	52.9	1708	957	47.6
	LED3097	935	524	53.4	1724	966	48.0
	LED3597	1060	594	60.6	1955	1095	54.5
	LED4097	1050	588	60.0	1936	1085	54.0

TM30 DATA

1003	CCT/CRI	Rf	Rg	Ra	R9
	2790	90.9	98.9	91.7	58.3
	3090	90.8	99.1	92.5	62.6
	3590	90.6	100.4	92.7	67.5
	4080	82.5	94.3	83.1	11.4
	5080	81.6	94.1	82	6
	2797	94.9	100	98.1	86.9
	3097	94	100.3	97.8	88.9
	3597	92.9	99.3	97.2	89.1
	4097	91.5	98.7	95.4	84

LUMEN MAINTENANCE

Ambient Temperature	TM-21 Lumen Maintenance (60,000 Hours)	Theoretical L70 (Hours)
25°C, 40°C, 50°C	> 87%	> 102,000

POWER TABLE

Number of Heads	Light Level	Input Current (A) at 120 VAC	Input Current (A) at 277 VAC	Input Power (W)
A1	L1	0.08	0.03	10
	L2	0.177	0.088	20.93
	LC1	0.1	0.085	11.4
	LC2	0.183	0.088	21.44
A2	L1	0.16	0.06	20
	L2	0.354	0.176	41.86
	LC1	0.2	0.17	22.8
	LC2	0.366	0.176	42.88

INTEGRATED SENSOR - SVPD2

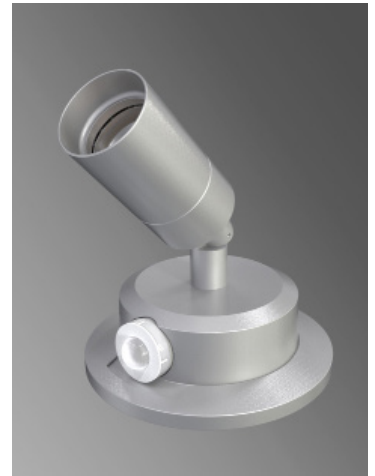
The Lanterra Accent 1003 with Integrated Sensor technology provides automatic energy savings without sacrificing performance. Traditionally, these types of energy savings required coordination between the luminaire and a lighting control system. The Lanterra Accent 1003 delivers superior lighting with integrated PIR occupancy sensing and daylighting controls.

Capture the benefits of traditional lighting controls, without complicated circuit planning or special wiring. The Lanterra Accent 1003 delivers automatic ON to an energy saving light level, while ensuring lighting is turned OFF when the space is unoccupied.

The SVPD2 sensor is configured for outdoor use, so the integral daylight sensor will enable the luminaire to automatically adjust to daylight conditions by turning off when sufficient sunlight is present. Consult factory for indoor configuration.

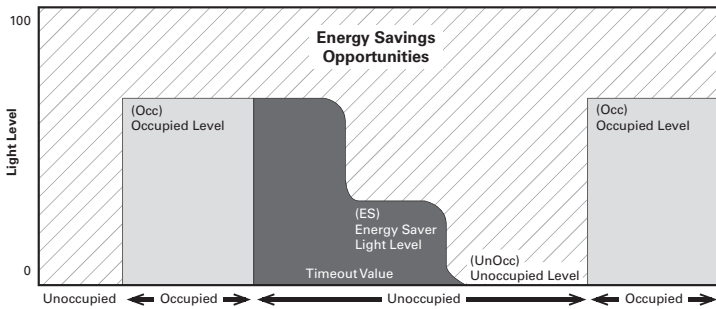
Occupied light levels and unoccupied light levels can be adjusted using the integrated sensor programming remote (Catalog Number: ISHH01LUM). While the default unoccupied level is OFF, a lower light level can be saved instead using the programming remote. The integrated sensor personal remote (Catalog Number: ISHH02LUM) provides code compliant manual raise, lower, ON, OFF control.

The Lanterra Accent 1003 with Integrated Sensor is easy to install with no special wiring and ensures energy savings out-of-the-box with default control settings.



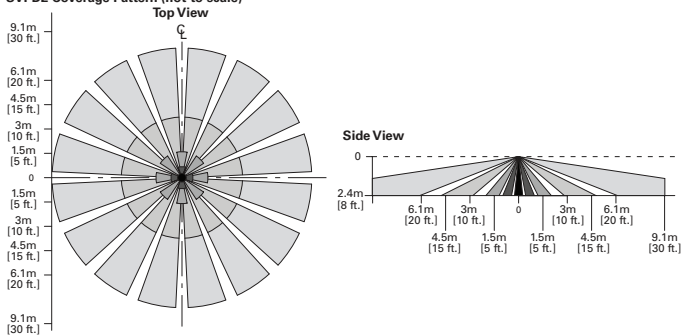
HOW IT WORKS:

- As the user enters the space controlled by the integral sensor, the lighting turns ON to the occupied light level.
- Lighting will remain at the occupied level until the space is unoccupied. This will start the occupancy timeout period (default 20 minutes).
- If the space remains unoccupied for half of the timeout period, the lighting will automatically reduce to the Energy Saver light level (default matches occupied level). This adjustable light level is often set to half of the occupied daylight level using the programming remote.
- At the end of the timeout period the lighting will go to the unoccupied light level. This adjustable light level uses the OFF default setting.
- If sufficient sunlight is present, the luminaire will remain OFF, regardless of occupancy.

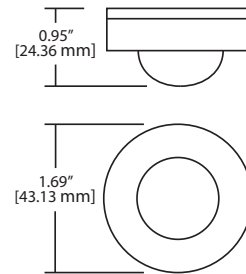


Coverage

SVPD2 Coverage Pattern (not to scale)



Sensor Dimensions



Optional Remote Controls



ISHH01LUM Programming Remote



ISHH02LUM Personal Control Remote

