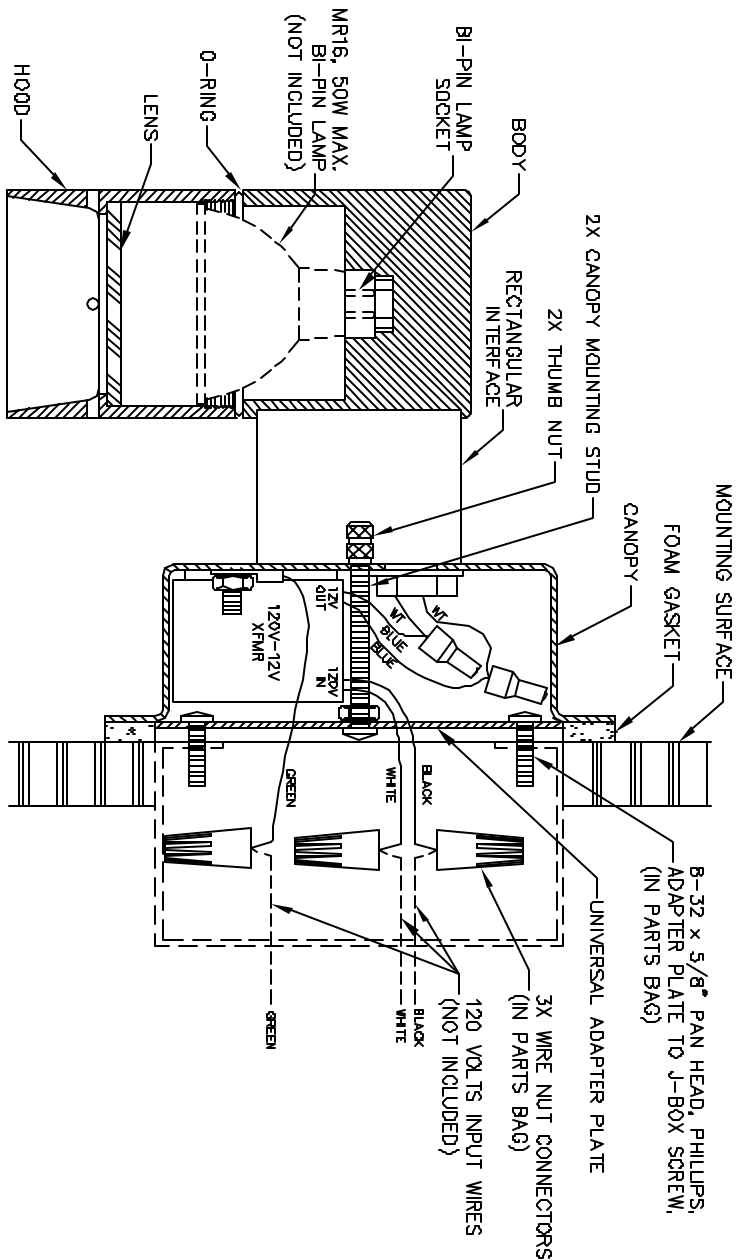


FRONT VIEW



SIDE VIEW

WARNING:
 WARNING AND INSTALLATION MUST BE PERFORMED BY A QUALIFIED ELECTRICIAN ONLY.
 TURN POWER OFF BEFORE INITIAL INSTALLATION, SERVICING, MAINTENANCE, OR RELAMPING. FIXTURES SHOULD ALWAYS BE INSTALLED IN ACCORDANCE WITH LOCAL AND NATIONAL ELECTRIC CODES.

INSTALLATION INSTRUCTION:

1. REMOVE THUMB NUTS FROM ASSEMBLED FIXTURE. PULL ADAPTER PLATE OUT OF CANOPY. ATTACH UNIVERSAL ADAPTER PLATE TO WALL JUNCTION BOX USING THE TWO 8-32 x 5/8" LONG, PHILLIPS HEAD SCREWS (INCLUDED IN PARTS BAG). INSTALL ADAPTER PLATE SO THAT THUMB NUT STUDS ARE LEVEL AT LEFT AND RIGHT (SEE FRONT VIEW).
2. PULL SUPPLY WIRES THROUGH ADAPTER PLATE. CONNECT 120 VOLT SUPPLY WIRES TO THE FIXTURE AND GROUND WIRES USING THE HIGH TEMPERATURE WIRE NUT CONNECTORS (INCLUDED IN PARTS BAG). CONNECT BLACK TO BLACK, WHITE TO WHITE AND GREEN TO GREEN. PUSH CONNECTORS BACK INTO JUNCTION BOX.
3. SLIDE FIXTURE CANOPY OVER THE TWO STUDS ON THE ADAPTER PLATE. SECURE USING THE TWO THUMB NUTS PREVIOUSLY REMOVED.

4. REMOVE HOOD, INSTALL NEW LAMP AND REPLACE HOOD PER RELAMPING INSTRUCTIONS AT RIGHT. TURN POWER ON AND TEST FOR PROPER OPERATION.

RELAMPING:
 USE ONLY MR16, 12 VOLT, 50 WATT MAXIMUM, BI-PIN HALOGEN LAMP. CHECK PACKAGE AND FIXTURE LABELING CAREFULLY TO ENSURE USING ONLY LAMPS OF PROPER TYPE AND WATTAGE.

TO RELAMP:
 UNSCREW HOOD COUNTERCLOCKWISE FROM FIXTURE BODY. PULL LAMP STRAIGHT OUT (DO NOT TWIST) FROM SOCKET. REPLACE LAMP. SCREW HOOD CLOCKWISE TO FIXTURE BODY. BE SURE THAT HOOD SEATS SNUGLY ON O-RING ON FIXTURE BODY.

Cooper Lighting Luminaires reserves the right to make design changes without notice.

REV. A	06-06-02	PRODUCTION RELEASE	1/22/02
DATE		DESCRIPTION	MCN#
TITLE INSTALLATION INSTRUCTIONS			
MODEL	904 XX-M03	DWG NO.	S11812
DRAWN TED NICOLAS		SHEET 1 OF 1	REV. A
			311812-01

