



Lumière



www.COOPERLIGHTING.com

INSTALLATION INSTRUCTIONS: WESTWOOD 904, 904-2

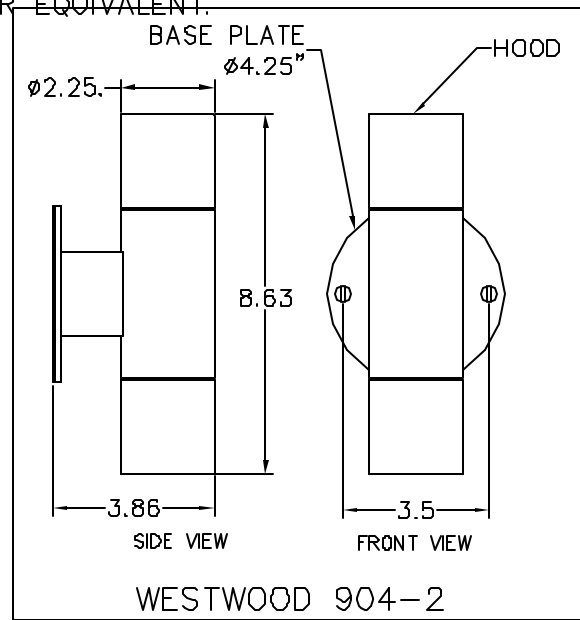
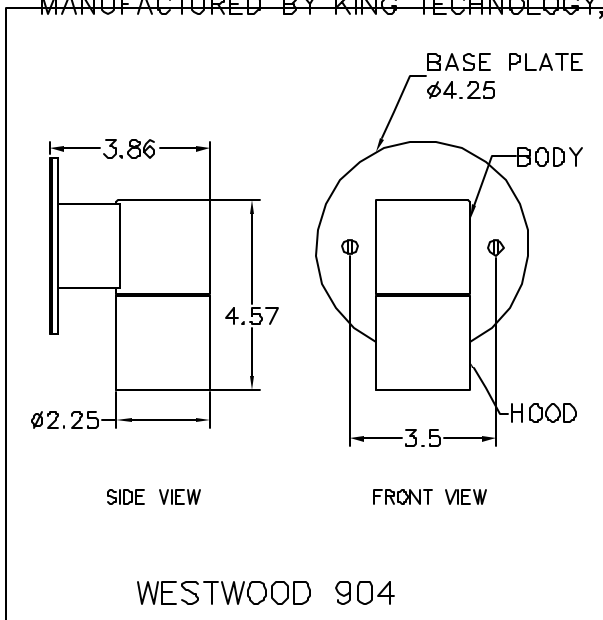
WARNING:
WIRING AND INSTALLATION MUST BE PERFORMED BY A QUALIFIED ELECTRICIAN ONLY.

TURN POWER OFF BEFORE INITIAL INSTALLATION, SERVICING, MAINTENANCE, OR RELAMPING. FOR USE WITH MAXIMUM 25A, 15V POWER UNITS ONLY.

FIXTURES SHOULD ALWAYS BE INSTALLED IN ACCORDANCE WITH LOCAL AND NATIONAL ELECTRICAL CODES. A REMOTE TRANSFORMER IS REQUIRED (NOT INCLUDED).

DO NOT INSTALL THIS FIXTURE IN ANY COMBUSTIBLE MATERIALS!

USE UL LISTED WATERPROOF WIRE CONNECTORS: CAT. NUMBER KING-T6, MANUFACTURED BY KING TECHNOLOGY, INC OR EQUIVALENT.



INSTALLATION INSTRUCTIONS: MOUNTING TO JUNCTION BOX:

1. CONNECT FIXTURE WIRES TO 12V SUPPLY WIRES FROM REMOTE TRANSFORMER (NOT INCLUDED).
2. ATTACH WALL PLATE WITH COVER GASKET SECURELY TO RECESSED JUNCTION BOX (NOT INCLUDED) USING THE TWO SCREWS (INCLUDED IN PARTS BAG). MAKE SURE THAT FIXTURE IS ALIGNED.

LAMP (NOT INCLUDED):

FOR 904: 12 V, 50 WATT MAX MR16 BI-PIN HALOGEN LAMP.

FOR 904-2: (2) 12 V, 50 WATT MAX MR16 BI-PIN HALOGEN LAMP.

CHECK PACKAGE AND FIXTURE LABELING FOR PROPER LAMP TYPE AND WATTAGE.

TO RELAMP:

UNSCREW THE HOOD, PULL LAMP OUT. PUSH NEW LAMP IN.

SCREW THE HOOD BACK ON. MAKE SURE THAT HOOD SITS SNUGLY ON O-RING FOR A WATERTIGHT SEAL.

Cooper Lighting Solutions - Lumière reserves the right to make design changes without notice.



COOPER
Lighting Solutions
Lumière

DWG No.

9153

REV.

A

SHEET 1 OF 1