

## DESCRIPTION

The Lumark RPGC Round Parking Garage and Canopy luminaire is an innovative, energy-efficient LED fixture. The RPGC is designed to replace traditional HID fixtures on a one-to-one basis from 150W up to 250W HID. The low profile, rugged construction, features a selectable lumen switch that allows for seamless integration into illuminating parking garages, canopy, stairwells and low-bay retail installations where high security illumination and energy savings are needed.

<b>Catalog #</b>		<b>Type</b>	
<b>Project</b>			
<b>Comments</b>		<b>Date</b>	
<b>Prepared by</b>			

## SPECIFICATION FEATURES

### Construction

Heavy-duty, low-profile die-cast aluminum housing. Integrated universal mounting plate which mounts directly to 4" round, octagonal, and square junction boxes. The easy to install quick-mount bracket system allows for free hand wiring suitable for mounting to a surface mounted j-box or to a rigid or free swinging pendant (supplied by others).

### Optical

Round drop lens constructed of polycarbonate material with refractive features built in to maximize area coverage. Standard 4000K CCT and min 70 CRI. Drop lens provides light above the 90 degree plane for some ambient uplighting.

### Warranty

Five-year warranty.

### Electrical

Maintains greater than 90% of initial light output after 50,000 hours of operation. Integral LED electronic driver incorporates surge protection and 0-10V dimming. 120V-277V, 50/60 Hz or 347V/60 Hz. Integrated selectable lumen switch allows installer to easily toggle between three different lumen outputs. Factory preset is max output.

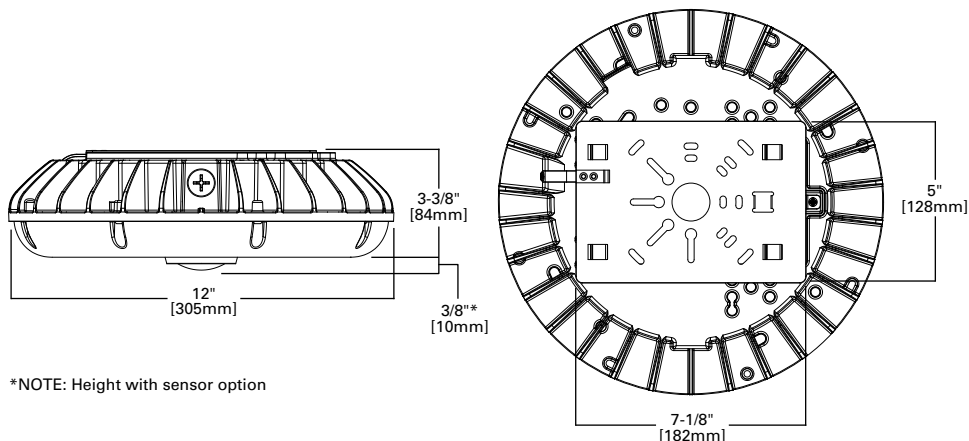


## RPGC

30 / 50 / 60W

PARKING GARAGE/  
CANOPY LUMINAIRE

## DIMENSIONS



\*NOTE: Height with sensor option



### CERTIFICATION DATA

UL/cUL Wet Location Listed  
FCC Class A  
RoHS Compliant  
IP65 Rated  
3G Vibration Rated  
DesignLights Consortium® Qualified\*

### ENERGY DATA

**Electronic LED Driver**  
0.9 Power Factor  
<20% Total Harmonic Distortion  
-40°C to 40°C

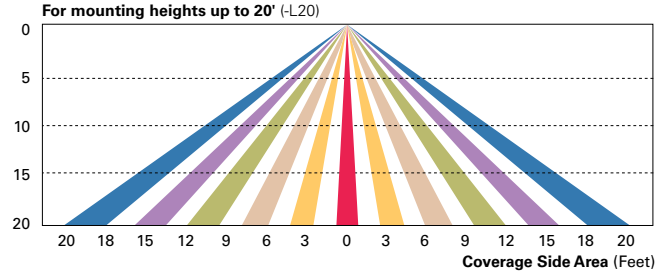
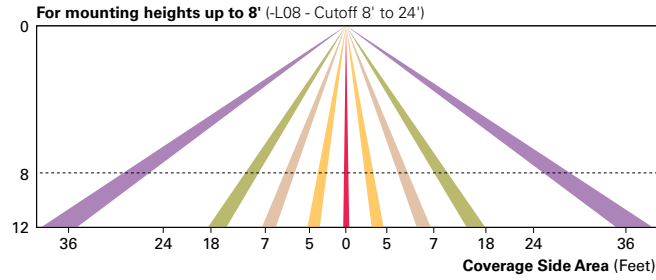
### SHIPPING DATA

**Approximate Net Weight:**  
7.6 lbs. (3.4 kgs.)

**CONTROL OPTIONS**

**Dimming Occupancy Sensor (MS)** These sensors are factory installed in the luminaire housing. When a sensor for dimming operation (/DIM) option is selected, the luminaire will dim down to approximately 50 percent power after five minutes of no activity detected. When activity is detected, the luminaire returns to full light output.

These occupancy sensors include an integral photocell that can be activated or inactivated with the programming remote / configuration tool for "dusk-to-dawn" control or "daylight harvesting". Note: For MS sensors, the factory preset is OFF (Disabled). The programming remote / tool is a wireless tool that can be utilized to change the dimming level, time delay, sensitivity and other parameters. A variety of sensor lenses are available to optimize the coverage pattern for mounting heights from 8'-20'.



**POWER AND LUMENS**

Switch Position	0 (Factory pre-set)	1	2
Power (Watts)	63	49	31
Input Current @ 120V (A)	0.52	0.41	0.26
Input Current @ 277V (A)	0.23	0.19	0.13
Input Current @ 347V (A)	0.19	0.16	0.10
<b>Distribution</b>			
4000K Lumens	7,811	6,124	3,690
BUG Rating	B3-U3-G2	B2-U3-G2	B2-U3-G1

**LUMEN MAINTENANCE**

Ambient Temperature	TM-21 Lumen Maintenance (50,000 Hours)	Theoretical L70 (Hours)
40°C	89.6%	159,000

**LUMEN MULTIPLIER**

Ambient Temperature	Lumen Multiplier
10°C	1.02
15°C	1.01
25°C	1.00
40°C	0.97

**ORDERING INFORMATION**

Model Number <sup>1</sup>	Accessories (Order Separately)
RPGC25S=UNV, 60W Max RPGC25S-347=347V, 60W Max <sup>2</sup> RPGC25-MS/DIM-L08=UNV, 60W, Motion Sensor for Dimming Operation, Up to 8' Mounting Height <sup>2,3</sup> RPGC25-MS/DIM-L20=UNV, 60W, Motion Sensor for Dimming Operation, 9' - 20' Mounting Height <sup>2,3</sup> RPGC25-347-MS/DIM-L08=347V, 60W, Motion Sensor for Dimming Operation, Up to 8' Mounting Height <sup>2,3</sup> RPGC25-347-MS/DIM-L20=347V, 60W, Motion Sensor for Dimming Operation, 9' - 20' Mounting Height <sup>2,3</sup>	FSIR-100=Wireless Configuration Tool for Motion Sensor <sup>4</sup>

- NOTES:**
- All models in 4000K CCT and white color finish.
  - Extended lead times apply to this configuration.
  - These configurations do not include the wattage selectable integrated switch. To field-adjust lumen output, use FSIR-100 configuration tool to adjust maximum output levels.
  - This tool enables adjustment to Motion Sensor (MS) parameters including high and low modes, sensitivity, time delay, cutoff and more. Consult your lighting representative at Cooper Lighting Solutions for more information.