

INSTALLATION INSTRUCTIONS

PRODUCT: EAGLE (XL)
SPORTS LIGHTER
IMI-158

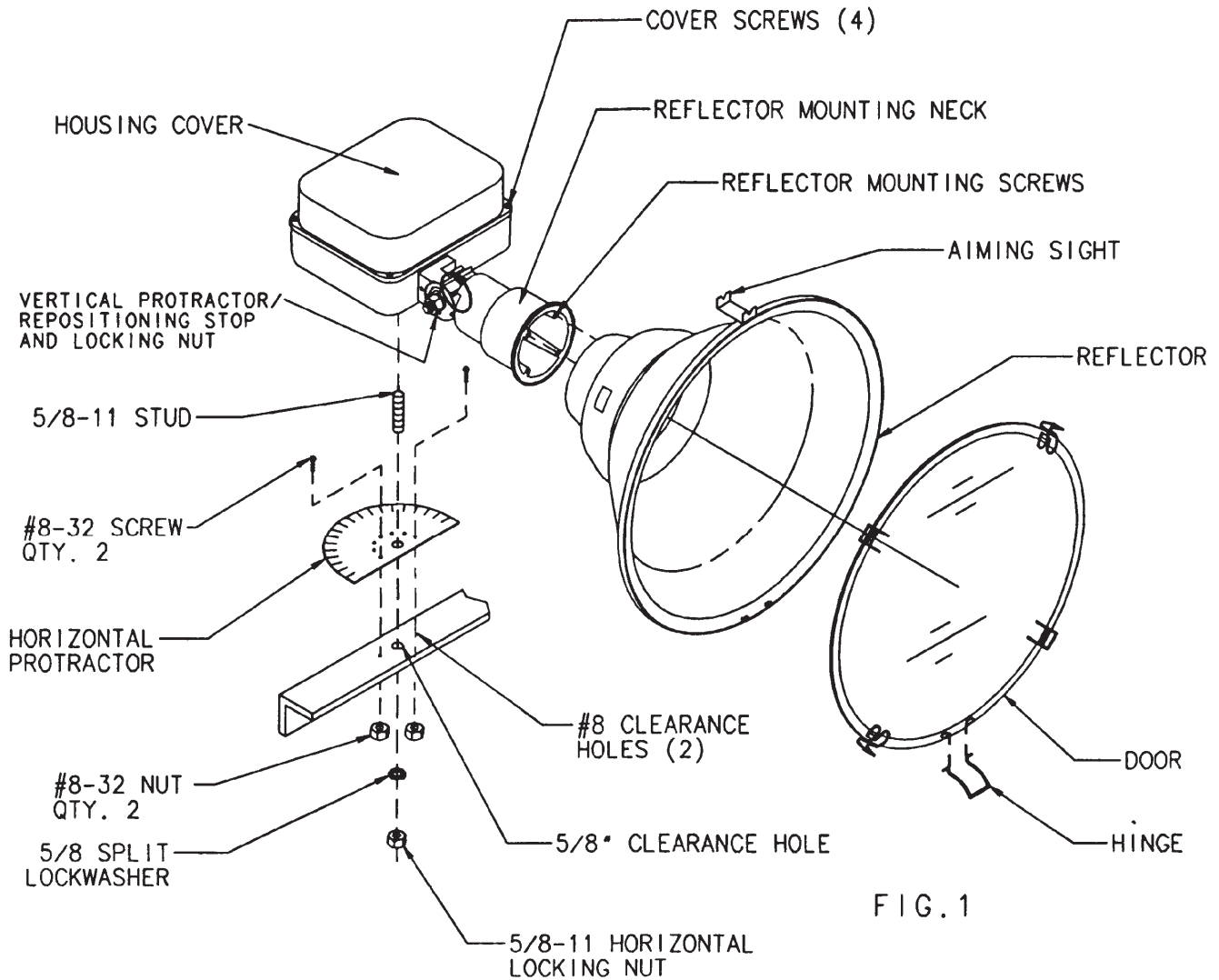
IMPORTANT: READ CAREFULLY BEFORE INSTALLING FIXTURE. RETAIN FOR FUTURE REFERENCE.

GENERAL: UPON RECEIPT OF FIXTURE THOROUGHLY INSPECT FOR ANY FREIGHT DAMAGE, WHICH SHOULD BE BROUGHT TO THE ATTENTION OF THE DELIVERING CARRIER. COMPARE THE CATALOG DESCRIPTION LISTED ON THE PACKING SLIP WITH THE FIXTURE LABEL ON THE HOUSING TO ASSURE YOU HAVE RECEIVED THE CORRECT MERCHANDISE.

SAFETY: THE FIXTURE MUST BE WIRED IN ACCORDANCE WITH THE NATIONAL ELECTRICAL CODE AND APPLICABLE LOCAL CODES AND ORDINANCES. PROPER GROUNDING IS REQUIRED TO INSURE PERSONAL SAFETY. CAREFULLY OBSERVE GROUNDING PROCEDURE UNDER INSTALLATION SECTION. ALL WORK SHOULD BE DONE BY A QUALIFIED ELECTRICIAN.

WARNING: Make certain power is OFF before starting installation or attempting any maintenance.

THESE LUMINAIRES ARE DESIGNED FOR OUTDOOR LIGHTING SERVICE, AND SHOULD NOT BE USED IN AREAS OF LIMITED VENTILATION OR IN HIGH AMBIENT TEMPERATURE ENCLOSURES. BEST RESULTS WILL BE OBTAINED IF INSTALLED AND MAINTAINED ACCORDING TO THE FOLLOWING RECOMENDATIONS.



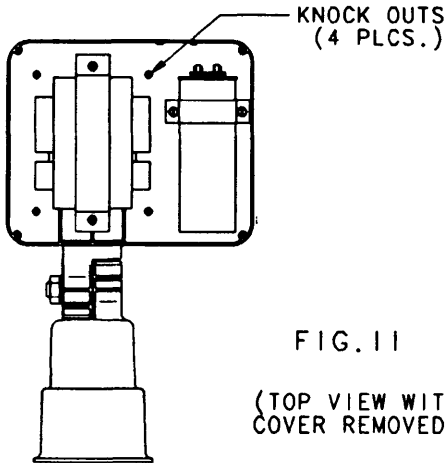
THESE INSTRUCTIONS DO NOT CLAIM TO COVER ALL DETAILS OR VARIATIONS IN THE EQUIPMENT, PROCEDURE, OR PROCESS DESCRIBED, NOR TO PROVIDE DIRECTIONS FOR MEETING EVERY POSSIBLE CONTINGENCY DURING INSTALLATION, OPERATION OR MAINTANCE. WHEN ADDITIONAL INFORMATION IS DESIRED TO SATISFY A PROBLEM NOT COVERED SUFFICIENTLY FOR USER'S PURPOSE, PLEASE CONTACT YOUR NEAREST REPRESENTATIVE.

MOUNTING (FIXTURE):

TO MOUNT FIXTURE TO METAL CROSS ARM USE THE HORIZONTAL PROTRACTOR AS TEMPLATE. MARK AND DRILL ONE CLEARANCE HOLE FOR THE 5/8-11 STUD AND TWO CLEARANCE HOLES FOR THE #8-32 SCREWS (FIG.1). (MOUNT ON FLAT SURFACE ONLY).

ATTACH HORIZONTAL PROTRACTOR TO CROSS ARM WITH THE TWO #8-32 SCREWS AND NUTS. THREAD THE 5/8-11 STUD INTO BOTTOM OF FIXTURE (APPROXIMATELY FOUR COMPLETE TURNS OF 360°). MOUNT FIXTURE TO CROSS ARM BY INSERTING THE 5/8-11 STUD THROUGH THE HOLE IN THE HORIZONTAL PROTRACTOR AND CROSS ARM. INSTALL THE 5/8 LOCKWASHER AND NUT. TIGHTEN THE LOCKING NUT TO 80 LB/FT OR IMMEDIATELY COMPLETE AIMING AS DESCRIBED BELOW.

FOUR KNOCK OUTS ARE PROVIDED AS AN ALTERNATE METHOD OF MOUNTING THE FIXTURE IF DESIRED, I.E. POLE TOP SLIPFITTER, SOLID MOUNT, ETC. (FIG. 11).



MOUNTING (REFLECTOR):

ALIGN KEYHOLE SLOTS IN NECK OF THE REFLECTOR WITH THE REFLECTOR MOUNTING SCREWS IN THE REFLECTOR MOUNTING NECK (FIG. 1). SLIP REFLECTOR OVER MOUNTING SCREWS. ROTATE REFLECTOR UNTIL SCREWS BOTTOM OUT IN SLOTS, TIGHTEN THE MOUNTING SCREWS.

TO ATTACH DOOR, INSERT HINGE THROUGH HOLES IN LIP OF REFLECTOR AND INTO LANCES ON DOOR FRAME. INSTALL LAMP, SWING DOOR UP AND ENGAGE THE (4) DOOR LATCHES.

AIMING:

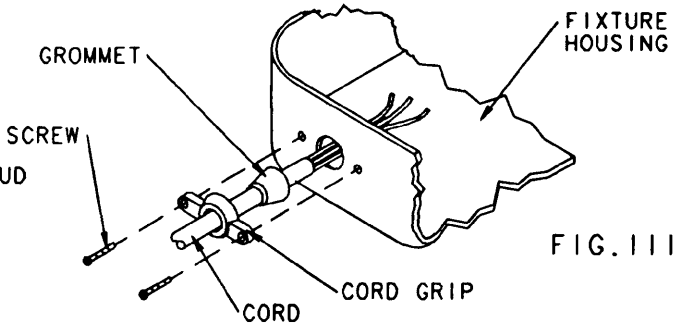
HORIZONTAL-LOOSEN THE 5/8-11 HORIZONTAL LOCKING NUT. ROTATE FIXTURE UNTIL THE POSITION INDICATOR (LOCATED ON THE BACK SIDE OF HOUSING) ALIGNS WITH THE DESIRED HORIZONTAL SETTING. TIGHTEN THE LOCKING NUT TO 80 LB/FT.

VERTICAL-LOOSEN THE VERTICAL PROTRACTOR/REPOSITIONING STOP LOCKING SCREW AND NUT. ROTATE PROTRACTOR/REPOSITIONING STOP UNTIL THE DESIRED POSITION ALIGNS WITH THE POSITION INDICATOR (ARROW HEAD). TIGHTEN THE LOCKING SCREW. ROTATE REFLECTOR MOUNTING NECK UNTIL IT TOUCHES THE PROTRACTOR/REPOSITIONING STOP. TIGHTEN THE LOCKING NUT TO 50 LB/FT.

AIMING MAY ALSO BE ACCOMPLISHED BY SIGHTING BETWEEN THE TWO (2) V-NOTCHES OF THE AIMING SIGHT AND THE TARGET.

WIRING:

THIS FIXTURE MUST BE WIRED WITH A 3 CONDUCTOR CORD THAT IS SUITABLE FOR OUTDOOR USE. INSTALL CORD PER (FIG. 111.). WIRE THE FIXTURE VOLTAGE LEAD TO THE SUPPLY VOLTAGE LEAD, THE FIXTURE COMMON LEAD TO THE SUPPLY NEUTRAL LEAD AND THE FIXTURE GROUND LEAD TO THE SUPPLY GROUND LEAD.



NOTE-TO WIRE FIXTURE TO CIRCUITS NOT HAVING A NEUTRAL LEAD SUCH AS 480 VOLT, CONNECT THE FIXTURE VOLTAGE LEAD TO ONE OF THE SUPPLY LEADS, THE FIXTURE COMMON LEAD TO THE OTHER SUPPLY LEAD AND THE FIXTURE GROUND LEAD TO A SUITABLE GROUND.

WARNING-RECHECK TO BE SURE THAT THE FIXTURE HAS BEEN WIRED PROPERLY. IMPROPER WIRING MAY RESULT IN BALLAST FAILURE WHICH VOIDS ALL WARRANTIES. VOLTAGE LEADS NOT REQUIRED FOR DESIRED VOLTAGE SHOULD ALWAYS REMAIN WITH THE INSULATED CONNECTORS INTACT.

CLEANING:

THE REFLECTOR AND DOOR GLASS MAY BE CLEANED WITH ANY SUITABLE NON-ABRASIVE GLASS CLEANING SOLUTION, SOAP, OR DETERGENT AND RINSED WITH CLEAN WATER.

MAINTENANCE:

THE HOUSING SHOULD BE OPENED BY LOOSENING THE FOUR (4) CAPTIVE COVER SCREWS.

THE OPTICAL ASSEMBLY (REFLECTOR) MAY BE ROTATED UPWARDS FOR RELAMPING, IF DESIRED, BY LOOSENING THE VERTICAL LOCKING NUT. TO REPOSITION THE OPTICAL ASSEMBLY, ROTATE IT DOWNWARDS UNTIL THE ASSEMBLY TOUCHES THE VERTICAL PROTRACTOR/REPOSITIONING STOP. RETIGHTEN THE VERTICAL LOCKING NUT TO 50 LB/FT.

CAUTION:

DO NOT PERFORM CLEANING OR MAINTENANCE WHILE FIXTURE IS ENERGIZED.

CAUTION:

PRIOR TO INSTALLING LAMP IN THE FIXTURE, CHECK TO MAKE SURE THE LAMP IS OF PROPER TYPE AND WATTAGE. OBSERVE LAMP MANUFACTURERS RECOMMENDATIONS AND RESTRICTIONS ON LAMP OPERATION, PARTICULARLY BALLAST TYPE, BURNING POSITIONS, ETC..

—TROUBLE SHOOTING—

IN THE EVENT THAT YOUR FIXTURE FAILS TO OPERATE PROPERLY FIRST CHECK THAT:

- 1.) THE PROPER LAMP IS INSTALLED.
- 2.) THE LAMP IS NOT FAULTY.
- 3.) THE LINE VOLTAGE (AT FIXTURE) IS PROPER.
- 4.) THE FIXTURE IS WIRED PROPERLY.
- 5.) THE FIXTURE IS GROUNDED PROPERLY.

IF ALL OF THE ABOVE HAVE BEEN CHECKED AND YOUR FIXTURE STILL DOES NOT OPERATE PROPERLY, CONTACT YOUR LOCAL LUMARK DISTRIBUTOR OR REPRESENTATIVE.