

VSW-P – PIR/Single Level 120V Vacancy Sensor (Ground Required)

Catalog#	Prepared by
Project	Date
Comments	Type

Overview

The VSW-P-0801-120 Passive Infrared Single or 3-way Vacancy Sensing Wall Switch is a motion sensing lighting control and conventional wall switch all-in-one that is used to for energy savings and convenience.

Features

- Replaces single or 3-way switches
- No neutral wire
- Adjustable Time Delay
- Integral daylight sensor
- Manual On operation only
- Works with incandescent, LED, fluorescent, CFL, MLV, ELV or 1/6 hp motor load

Reinforced color matched
tamper resistant lens



EAT•N

Powering Business Worldwide

Specifications

Technology	Passive Infrared (PIR)
Electrical Ratings (Per Relay)	120 VAC: Incandescent/Tungsten – Max. load: 5A, 600W, 60 Hz LED/Compact Fluorescent/Ballast – Max. load: 5A, 600W, 60 Hz Motor Load: 1/6 HP @ 125 VAC
Coverage	Major motion - 450 sq. ft. Minor motion - 200 sq. ft.
Light Level Sensing	0 to 200 foot-candles
Operating Environment	Temperature: 32°F - 104°F (0°C - 40°C) Relative humidity: 20% to 90% non-condensing For indoor use only
Housing	Durable, injection molded housing. Resin complies with UL 94V-0
Size	Mounting Plate/Strap Dimensions: 4.2"H x 1.8"W (106.5mm x 46mm) Product Housing Dimensions: 2.87"H x 1.6"W x 1.42"D (72.8mm x 40.7mm x 36mm)
Standards	FCC Compliant cULus Listed RoHS Compliant



Description/Operation

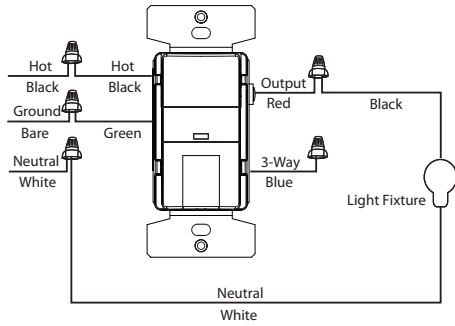
VSW-P-0801-120 uses Passive Infrared (PIR) sensor technology to monitor a room for occupancy and deliver maximum energy savings. The lights are turned ON by pressing the pushbutton. The sensor provides true multi-way ON/OFF control. When lights have been activated, the lights will remain ON as long as on the sensor(s) continue to detect motion. The occupant may manually turn OFF the lighting by pressing the ON/OFF button on any of the connected devices. If the room becomes vacant and the lights are ON, the lights will turn OFF when the unit that detected motion last times-out. PIR sensors are considered line-of-sight sensors, meaning that the sensor must be able to have a direct line-of-sight to the person making the motion.

Applications

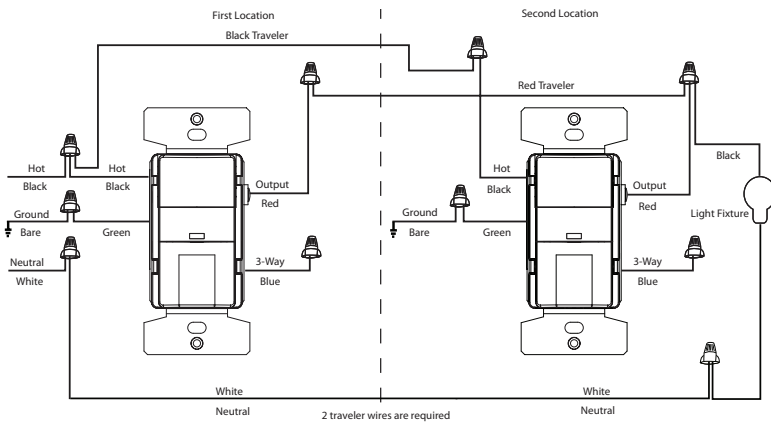
- Home Office
- Residential Room
- Small Office
- Residential Restroom
- Residential Hallway

Wiring Diagrams

Single Level Switching

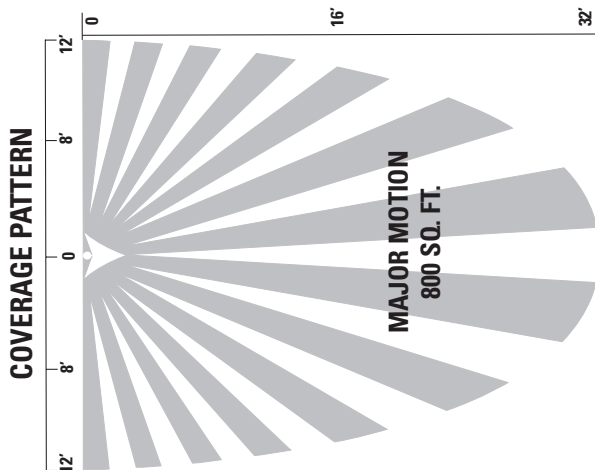


Three-Way Wiring Diagram



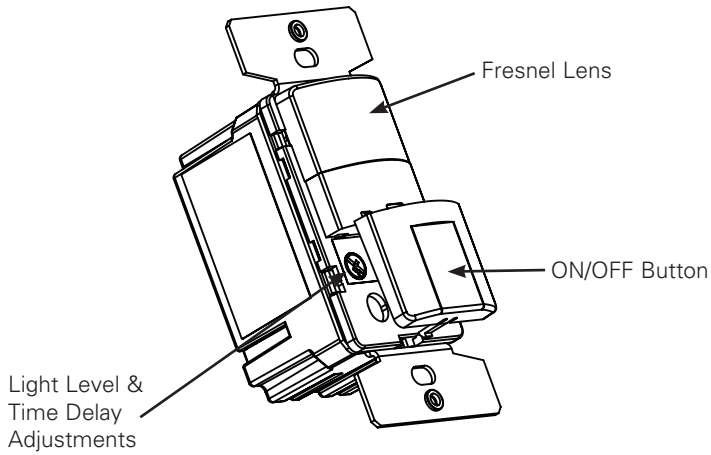
*For additional wiring diagrams refer to Installation Instructions

Coverage

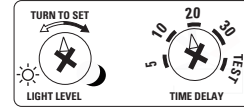


Maximum coverage area may vary somewhat according to room shape and the presence of obstacles.

Controls



Light Levels & Time Delay Adjustments



Ordering

*Wallplate not included

Catalog #	Ratings	Coverage	Voltage
VSW-P-0801-120-* (W, V, LA, G, B)	(* - 0-600W incandescent, CFL, MLV, ELV lighting load or 1/6 HP motor load	180°; 800 sq. ft.	120 VAC; 60 Hz

* White, Ivory, Light Almond, Gray, Black

Note: Not all colors are available in stock and some color options may have extended lead times.

Eaton
1000 Eaton Boulevard
Cleveland, OH 44122
United States
Eaton.com

Eaton's Cooper Controls Business
203 Cooper Circle
Peachtree City, GA 30269
coopercontrol.com

© 2014 Eaton
All Rights Reserved
Printed in USA
Publication No. ACC141003
November 5, 2014

Eaton is a registered trademark.

All other trademarks are property
of their respective owners.