

# OSW-U – Ultrasonic/Single Level (120/277V)

Catalog#	Prepared by
Project	Date
Comments	Type

## Overview

The self-contained OSW-U-0721-MV is an energy-saving, motion-sensing lighting control that replaces a conventional wall switch and utilizes ultrasonic technology to detect room motion. Wall switches are ideal for smaller spaces where you will not have obstructions of line-of-sight due to switch location, room orientation or furniture placement.

## Features

- 120 and 277V in the same unit
- No minimum load requirement
- Air-gap switch ensures no leakage current to load
- Complete no gap coverage
- NEMA WD7 Guide robotic method utilized to verify coverage patterns



No false activations from adjacent corridor activity

Automatic On Mode provides maximum convenience


Manual Off pushbutton can be used in either mode



# EAT•N

Powering Business Worldwide

## Specifications

<b>Technology</b>	Ultrasonic (US)
<b>Electrical Ratings</b>	<p><b>120 VAC:</b> Incandescent/Tungsten – Max. load: 6.7 amps, 800W, 60 Hz Motor Load: 1/4HP @ 125 VAC</p> <p><b>277 VAC:</b> Fluorescent/Magnetic Ballast – Max. load: 4.3 amps, 1200W, 60 Hz Ballast Compatibility: Compatible with magnetic ballasts</p>
<b>Time Delays</b>	15 seconds to 15 minutes
<b>Operating Environment</b>	<p>Temperature: 60° F - 80°F (15°C - 26°C)</p> <p>Relative humidity: Less than 95%, non-condensing</p> <p>For indoor use only</p>
<b>Housing</b>	ABS resin complies with UL 94V-0
<b>Material Characteristics</b>	Durable, injection-molded
<b>Size</b>	<p><b>Mounting Plate Dimensions:</b> 4.15" H x 1.94" W (10.54cm x 4.92cm)</p> <p><b>Product Housing Dimensions:</b> 2.73" H x 1.8" W x 1.8" D (6.93cm x 4.57cm x 4.57cm)</p>
<b>Operating Modes</b>	<p>Automatic On/Automatic Off</p> <p>Manual On/Automatic Off</p>
<b>Shut OFF Delay</b>	Adjustable 30 sec. - 15 min.
<b>LED Indicators</b>	Red LED for Ultrasonic detection
<b>Standards</b>	UL Listed 

## Description/Operation

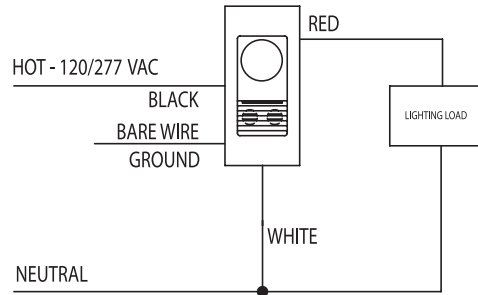
The sensor produces a low-intensity, inaudible sound to detect occupancy in a room. Changes in the sensor's acoustic wave caused by motion, such as walking into a room, reaching for a telephone or swiveling in a chair, will cause the lights to turn ON. The sensor does not respond to audible sound. In the Automatic On Mode, lights will turn ON automatically when a person enters the room. In Manual On Mode, lights are turned ON by pressing the touchplate at the top of the switch. When the room is vacated, lights turn OFF automatically after the programmed time delay. An air-gap switch ensures no leakage current to load for maximum product reliability.

## Applications

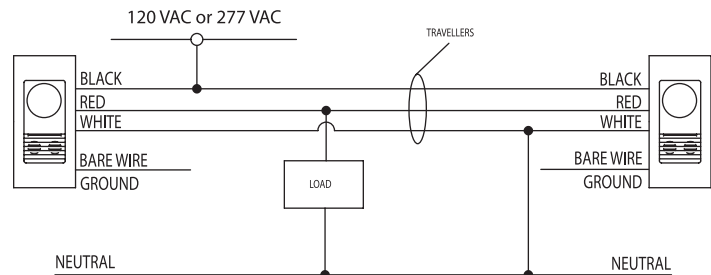
- Offices
- Conference rooms
- Board rooms
- Utility rooms

## Wiring Diagram

### Single Level Switching

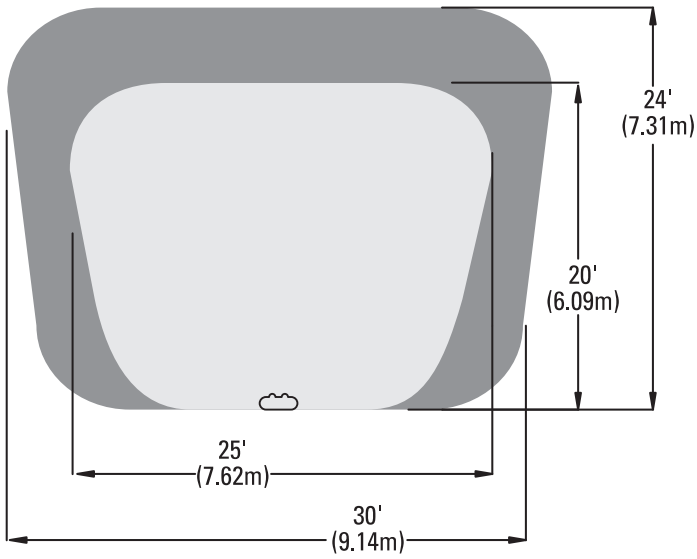


### Three-way wiring diagram: Lights will turn OFF automatically when sensor that detected motion last, times out.



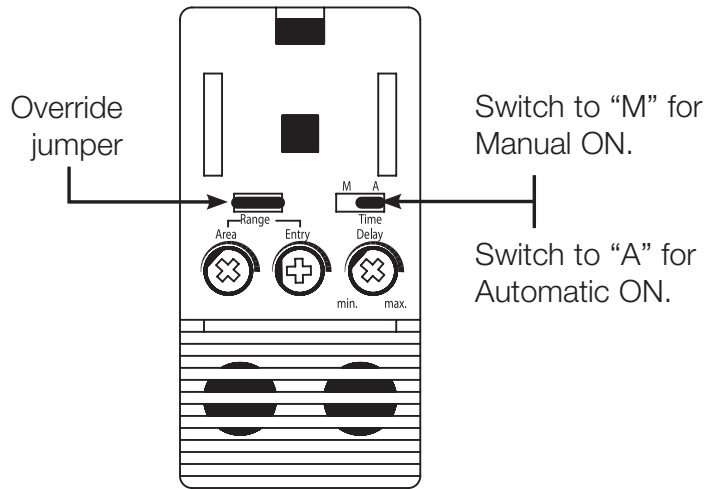
For 3-way applications Do Not exceed the load ratings of a single switch. Load rating can not be doubled!

### Coverage



The OSW-U-0721 series has a coverage range of 180°, a minor motion coverage area of approximately 300 sq. ft., and a maximum coverage area of approximately 500 sq. ft. Maximum coverage area may vary somewhat according to room shape and the presence of obstructions.

### Controls



## Ordering

\*Wallplate Not Included

<b>Catalog #</b>	<b>Ratings</b>	<b>Coverage</b>	<b>Voltage</b>
OSW-U-0721-MV- (*-W, V, A)	Incandescent: 0-800W @ 120V Fluorescent: 0-800W @ 120V Fluorescent: 0-1200W @ 277V Max Load/Relay	180°; 500 sq. ft.	120/277 VAC 60 Hz

\* White, Ivory, Almond

**Note:** Not all colors are available in stock and some color options may have extended lead times.

**Eaton**  
1000 Eaton Boulevard  
Cleveland, OH 44122  
United States  
Eaton.com

Eaton's Cooper Controls Business  
203 Cooper Circle  
Peachtree City, GA 30269  
coopercontrol.com

© 2014 Eaton  
All Rights Reserved  
Printed in USA  
Publication No. ACC140984  
November 3, 2014

Eaton is a registered trademark.  
All other trademarks are property  
of their respective owners.