

Project		Catalog #		Type	
Prepared by		Notes		Date	



# Cooper Lighting Solutions

## Germicidal UV (GUV) Clearance Pushbutton

Clearance Pushbutton used with the GUV Control System

### Typical Applications

Office • Education • Healthcare • Restaurant

### Interactive Menu

- Order Information [page 2](#)
- Additional Resources [page 2](#)
- GUV Education [page 3](#)
- Product Warranty

### Product Certification



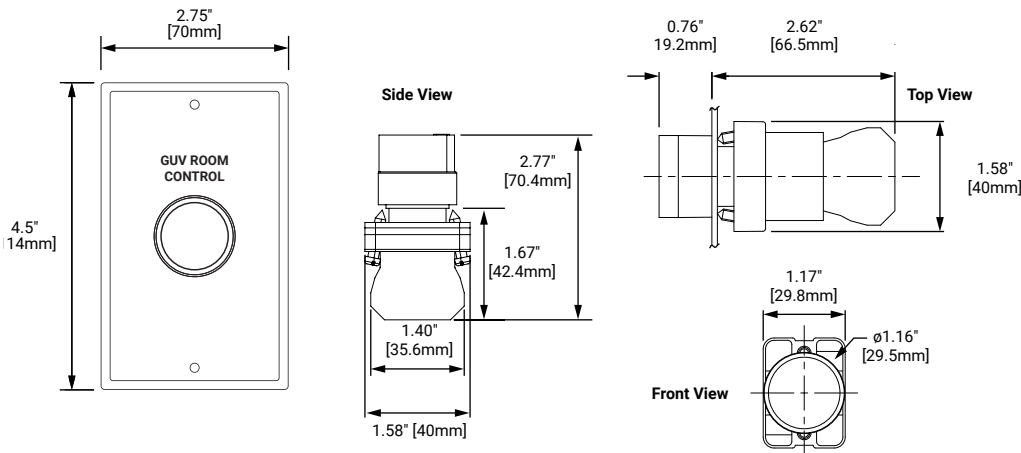
### Product Features



### Top Product Features

- **GUV Clearance Pushbutton** – Placed strategically throughout the space to be sanitized. The GUV Clearance Pushbuttons are to be pressed by the operator so that the space is verified to be vacant. Once pressed, the button will illuminate until the system is turned off or if the button is pressed again.
- **Illuminated** – GUV Clearance Pushbutton will light up when the button is pressed letting the user know it is active.
- **Wallplate** – Comes with single gang wallplate.

### Dimensional Details



### Mounting Height

## Order Information

Catalog Number

Catalog Number	Description
GUV-PB-1	GUV Clearance Pushbutton

## Required Accessories

Catalog Number

Catalog Number	Description
GUV-MAG-SENSOR-1	GUV Magnetic Access Sensor
GUV-USER-1	GUV User Station
GUV-16-120-277	Medium - GUV Control Panel with 16 Pushbutton Inputs
GUV-24-120-277	Large - GUV Control Panel with 24 Pushbutton Inputs

## Product Specifications

## Key Features

- 22mm plastic illuminated pushbutton
- LED illuminates when pressed
- Normally open contact block
- Comes with one pushbutton and one wallplate
- IP65 rated
- Momentary action

## Mechanical

**Button Size:** 1.17" W x 1.57" H x 3.37" D (30mm wide x 40mm x 86mm)

**Size:** 2.75" W x 4.5" H x 3.3" D (70mm x 114mm x 84mm)

**Mounting Depth:** 2.5" (64mm)

## Environment:

- **Operating temperature:** -13°F to 158°F (-25° C to +70° C)
- **Storage temperature:** max 176°F (+80° C)
- **Relative humidity operating:** +5 to 95% non-condensing
- For indoor use only

**Mounting:** Standard single gang wallbox

**Mounting Height:** 57-65"

**Button Color:** Green

**Housing:** Plastic

## Electrical

**Input Voltage:** 24VDC

**Wiring:** 18 AWG suitable for class 2 wire

**Electric Shock Protection:** IEC 536, Class II

## Standards/Ratings

- UL8802 Safety Certified GUV System – Designed to meet UL8802 standards for safer disinfection than systems without an equivalent control system in place
- CE

## Product Safety:

- IEC 60947
- IEC 536

## Environmental Regulations:

- RoHS Directive 2011/65/EU

## Warranty

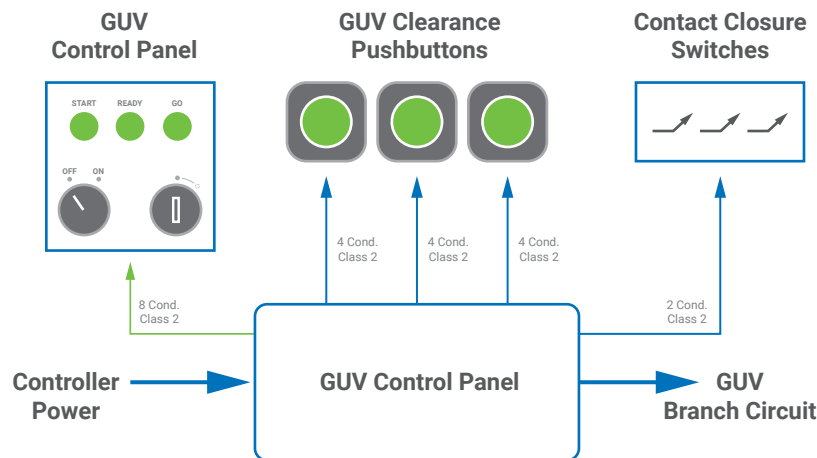
One year standard limited warranty

## Overview of the complete GUV Control System

The UL8802 Safety Certified GUV Control System is composed of one GUV Control Panel, one GUV User Station, GUV Clearance Pushbuttons and GUV Magnetic Access Sensors.

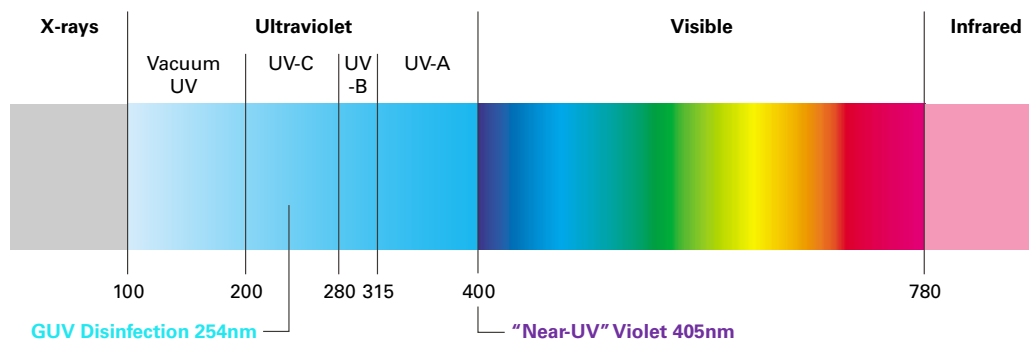
- **The GUV Control System** – Meets UL safeguard requirements as per UL8802. The safeguards ensure that the GUV Control system can be turned on and remains on if all safeguards are met. In the event someone enters the space, the system will automatically turn off and will not restart until the safeguards are met again and the user turns the system back on.
- **GUV Control Panel** – A control panel that manages the GUV Control System based on inputs received from the GUV Clearance Pushbuttons, GUV Magnetic Access Sensors installed at each door/windows and the GUV User Station installed outside the cleaning area. The GUV Control Panel includes a timer that allows the certified installer to configure the maximum activation time for the space disinfection.
- **GUV User Station with LED Indicators** – Contains the Off/On selector switch and a system activate keyed switch. The selector switch provides power to the GUV Clearance Pushbuttons while the keyed switch turns the GUV fixtures On. The LED indicators notifies the operator that:  
 START: Power has been supplied  
 READY: All safeguards are met  
 GO: The system is actively running
- **GUV Magnetic Access Sensors** – The GUV Magnetic Access Sensors are to be installed at the entrances and windows of the enclosed spaces. These sensors act as the primary safeguard within the GUV Control System. All doors/windows need to be closed for the GUV operator to activate the GUV Control System. Opening a door or window will stop the GUV session.
- **GUV Clearance Pushbuttons** – Clearance Pushbuttons are used to verify that no one is within the space prior to the GUV session. The GUV Clearance Pushbutton acts as the secondary safeguard. All GUV Clearance Pushbuttons installed within the space need to be pressed for the GUV operator to activate the GUV Control System. Inactivating a GUV Clearance Pushbutton during the GUV session will turn off the GUV Control System.

## System Topology



## GUV Education

- GUV (germicidal ultraviolet) is a proven and effective disinfection technology.
- GUV refers to short-wavelength ultraviolet "light" outside of the visible spectrum that is proven to kill bacteria and inactivate viruses...FAST! These short wavelengths in the photobiological UV spectral band known as "UV-C" are centered at 254nm, which is the optimal source wavelength for eliminating pathogens.
- GUV is an excellent surface and air disinfectant due to its quick germicidal efficacy.
- Germicidal effectiveness is determined by the exposure dose irradiance (how much) and time (how long).
- GUV can pose a safety and health hazard to the eyes and skin if the product is improperly used or installed.
- Follow recommended practices for utilization and control of GUV fixtures.



For more information on Fail-Safe GUV Disinfecting Solutions, please visit [www.cooperlighting.com/GUV](http://www.cooperlighting.com/GUV)