

RRU – UL 924 Remote Relay Unit

Catalog#	Prepared by
Project	Date
Comments	Type




Overview

The Remote Relay Unit (RRU) supports 120 VAC and 277 VAC input voltage configurations. The RRU is designed to force all outputs in the lighting control panel to an emergency scene regardless of the control panel's programmed output status. This allows the override of outputs during loss of normal (grid) power to allow an alternate power source to drive the lighting loads (Once the RRU senses the normal power returning, the control panel will return to the normal programmed operating mode).

Features

- UL 924 Listed Accessory
- Detects loss of normal power and automatically sends signal to lighting control panel
- Allows Cooper Lighting Solutions lighting panels to be listed as UL 924 when RRU is connected

Features

General	UL 924 Listed
Electrical Data	Connects to normal power
Mechanical Data	Lighting Control Panels must be fed from alternate power
Compatibility	Room Controller, DLVP, ControlKeeper, iLumin, iLumin Plus, FifthLight
Standards	UL Approved UL 924 Listed 

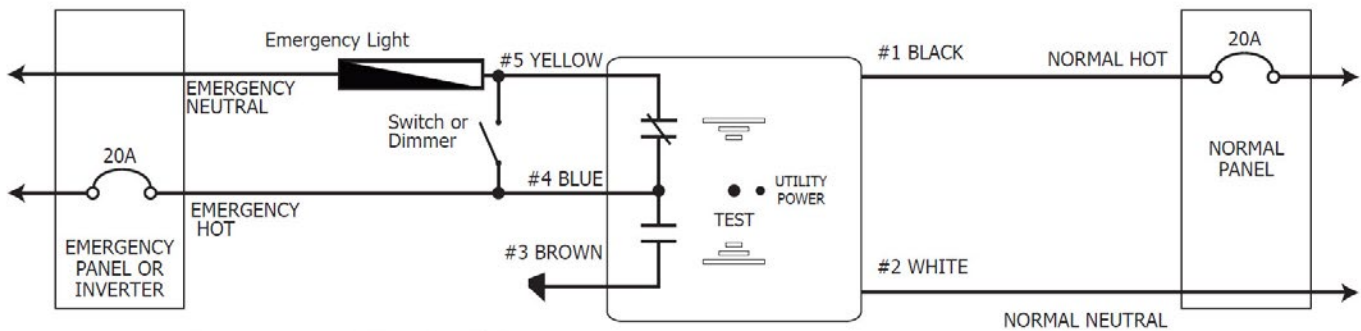
Operation

The RRU provides a dry contact closure to the Cooper Lighting Solutions lighting panels when normal (grid) power is lost. This contact closure forces a hardware override of all relays in the enclosure to the ON state. This override condition takes priority over any relay commands from the system controller and will remain in effect until the contact closure from the RRU is opened.

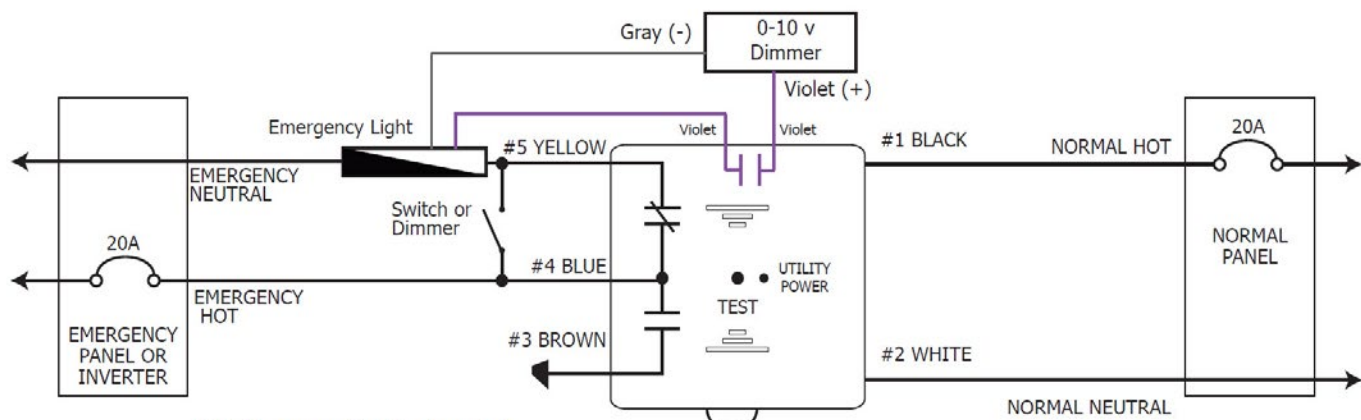
Installation

The RRU can be installed next to the lighting control panel enclosure.

Wiring Diagram



Note: Emergency Light is also called N/E Light or Normal/Emergency Light by many specifiers



Note: Emergency Light is also called N/E Light or Normal/Emergency Light by many specifiers

Red Jumper
(Fire alarm tie-in or remote test see additional resources for wiring details)

Ordering

This is an accessory for the Room Controller, DLVP, ControlKeeper, iLumin, iLumin Plus, and FifthLight lighting control panels. When ordering, specify the RRU as a separate system accessory.

Catalog #	Descriptoin	Rating
RRU-UNV	UL924 Remote Relay Unit	120/277 VAC
RRU-X-UNV	UL924 Remote Relay with 0-10V	120/277VAC
RRU-X-UNV-FM	UL924 Fixture Mount Remote Relay with 0-10V	120/277VAC

Note: Note: for 347 VAC Applications please see Model LRM-347

Cooper Lighting Solutions
1121 Highway 74 South
Peachtree City, GA 30269
P: 770-486-4800
www.cooperlighting.com
For service or technical assistance:
1-800-553-3879

© 2020 Cooper Lighting Solutions
All Rights Reserved
Printed in USA
Publication No. TD503160EN
September 2018

Specifications and
dimensions subject to
change without notice.